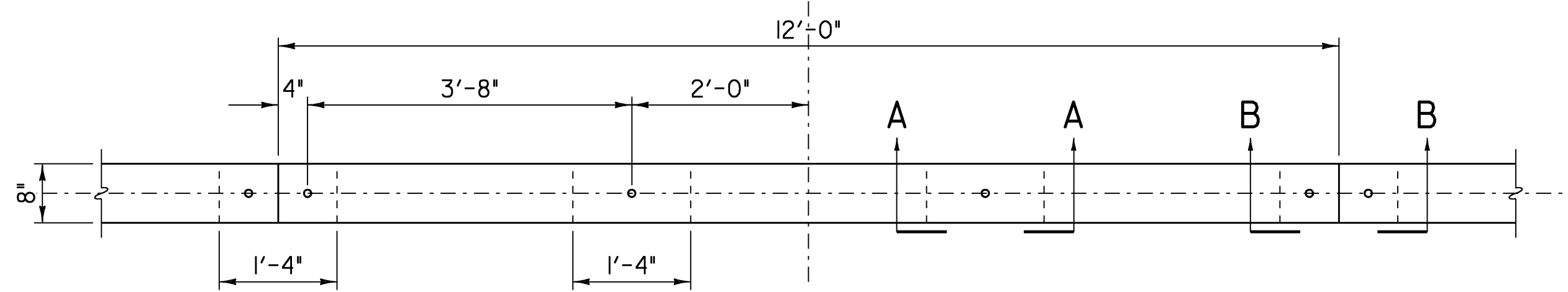
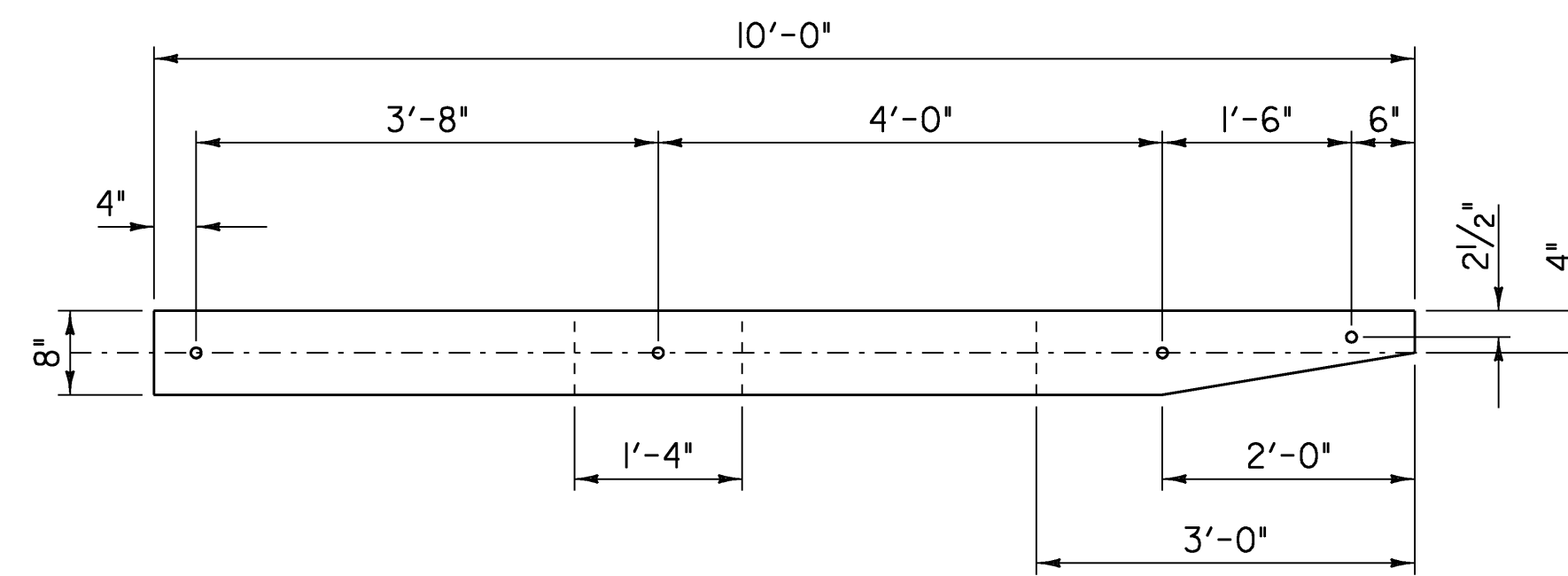


CURB AND RUNNING PLANK LAYOUT PLAN

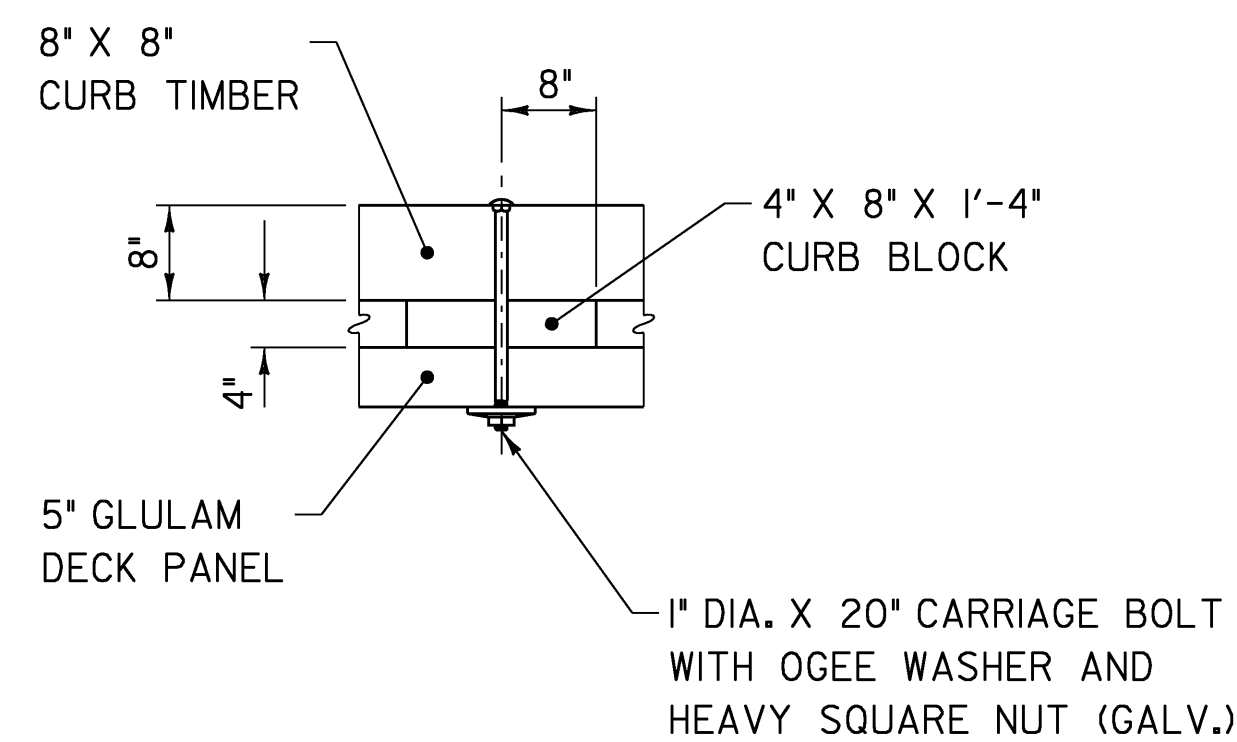
SCALE $\frac{3}{16}$ " = 1'-0"



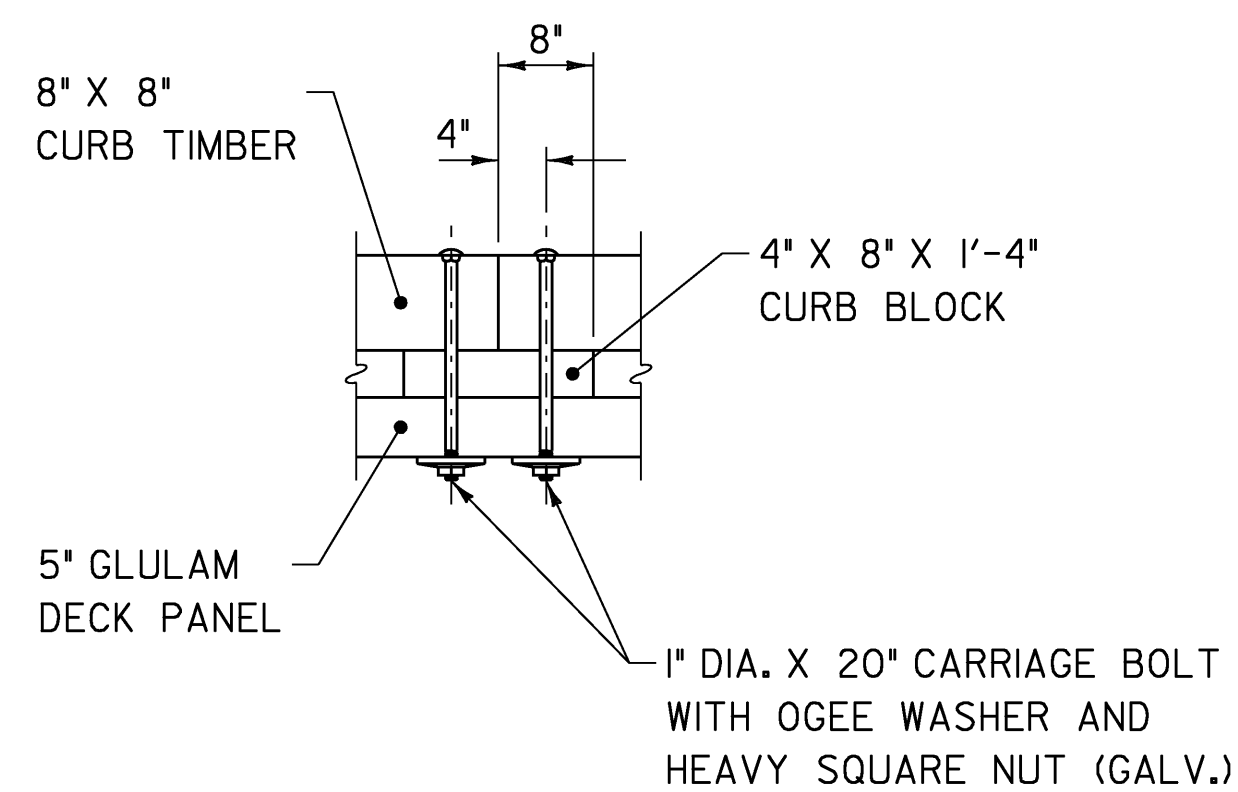
CURB DETAIL



END CURB DETAIL

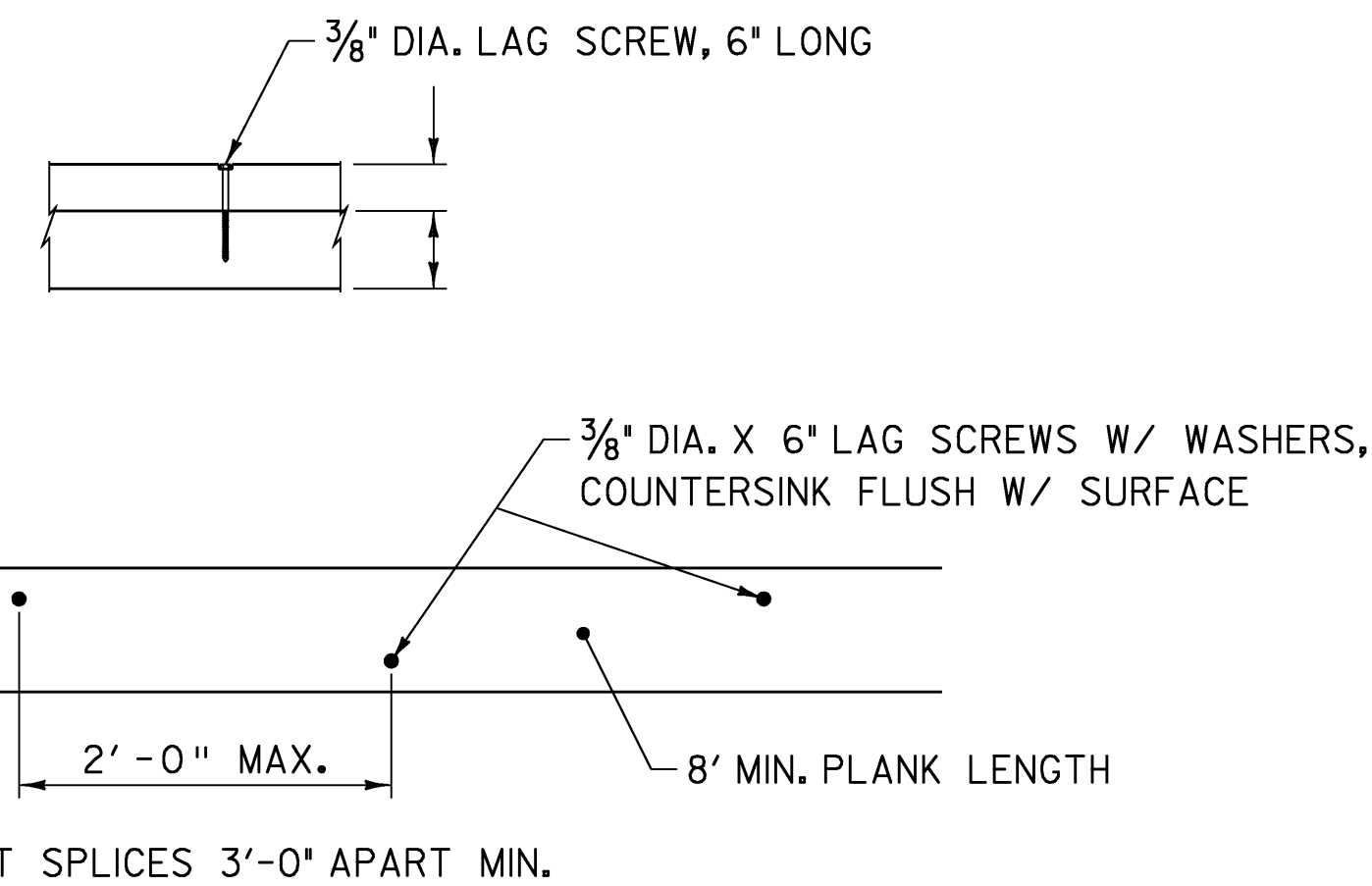


CURB SECTION A-A



CURB SECTION B-B

SCALE $\frac{3}{4}$ " = 1'-0"



RUNNING PLANK DETAILS

SCALE 1" = 1'-0"

PROJECT NAME: NEWFANE
PROJECT NUMBER: BHF 0106 (4)S

FILE NAME: s96j230str.dgn
PROJECT LEADER: R. WHITCOMB
DESIGNED BY: T. LACKEY
CURB & RUNNING PLANK DETAILS

PLOT DATE: 29-APR-2009
DRAWN BY: T. LACKEY
CHECKED BY: R. WHITCOMB
SHEET 39 OF 67