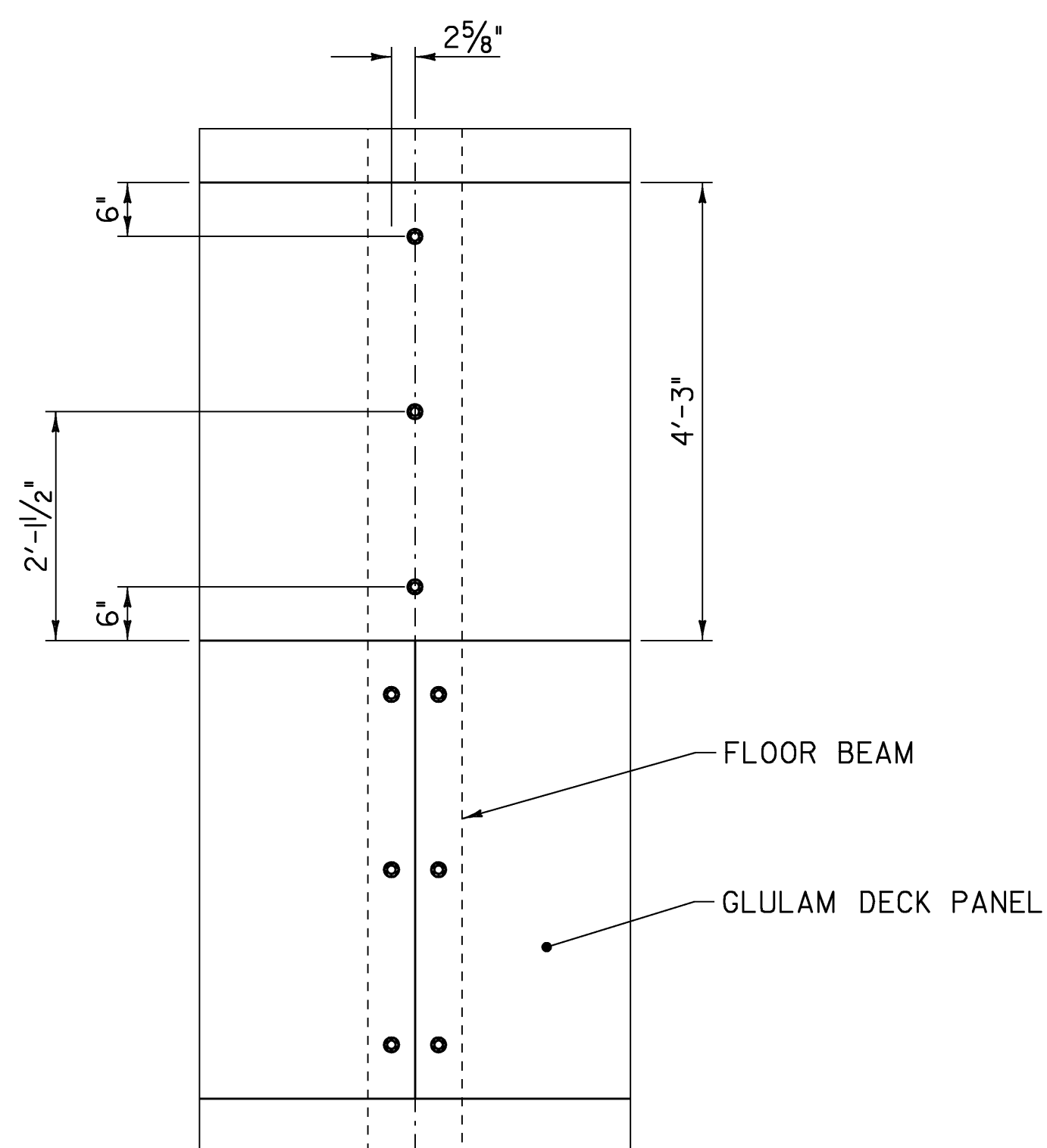


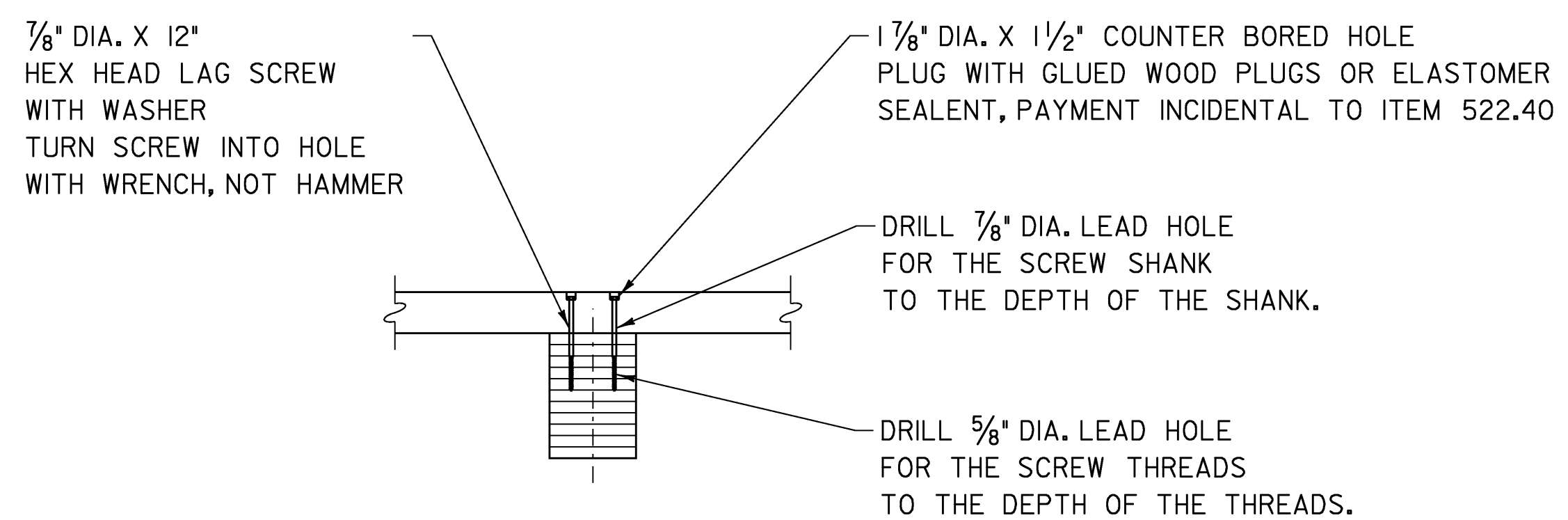
DECK PANEL PLAN

SCALE 3/6" = 1'-0"
 0 2 4 6 8



DECK PANEL DETAIL

SCALE 3/4" = 1'-0"
 0 1 2



DECK PANEL SECTION

SCALE 3/4" = 1'-0"
 0 1 2

PROJECT NAME: NEWFANE
 PROJECT NUMBER: BHF 0106 (4)S

FILE NAME: s96j230str.dgn
 PROJECT LEADER: R. WHITCOMB
 DESIGNED BY: T. LACKEY
 DECK PANEL DETAILS

PLOT DATE: 29-APR-2009
 DRAWN BY: T. LACKEY
 CHECKED BY: R. WHITCOMB
 SHEET 38 OF 67