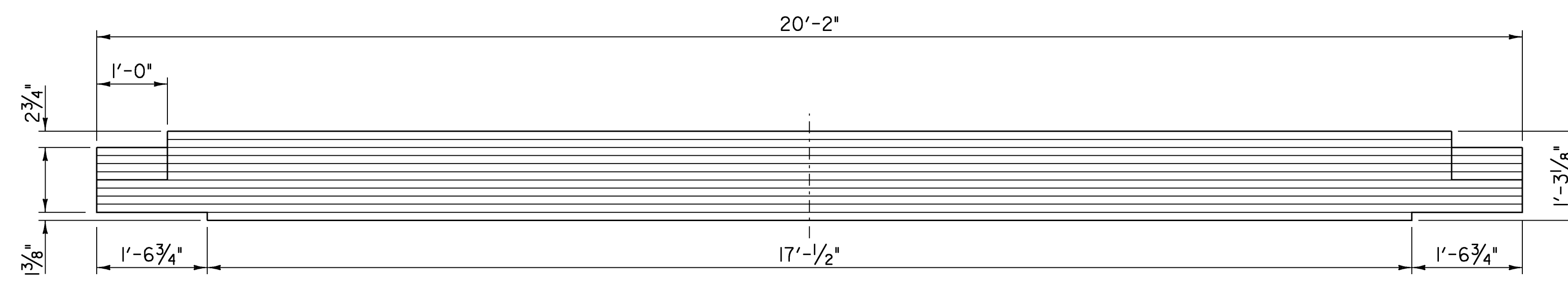


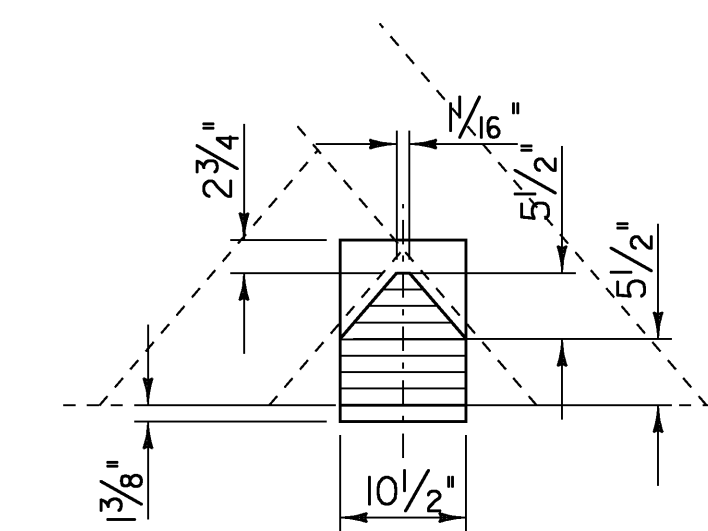
FLOOR BEAM PLAN

SCALE $\frac{3}{16}'' = 1'-0''$
 1 0 2 4 6 8



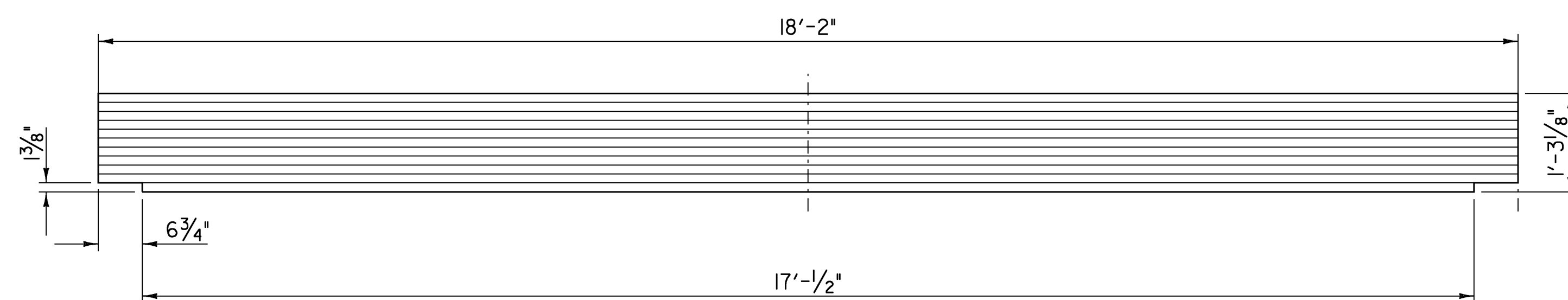
FLOOR BEAM PROFILE

SCALE $\frac{3}{4}'' = 1'-0''$
 0 1 2



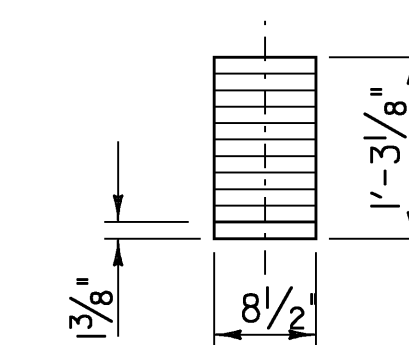
FLOOR BEAM SECTION

SCALE $\frac{3}{4}'' = 1'-0''$
 0 1 2



END FLOOR BEAM PROFILE

SCALE $\frac{3}{4}'' = 1'-0''$
 0 1 2



FLOOR BEAM SECTION

SCALE $\frac{3}{4}'' = 1'-0''$
 0 1 2

PROJECT NAME: NEWFANE
 PROJECT NUMBER: BHF 0106 (4)S

FILE NAME: s96j230str.dgn
 PROJECT LEADER: R. WHITCOMB
 DESIGNED BY: T. LACKEY
 FLOOR BEAM DETAILS

PLOT DATE: 29-APR-2009
 DRAWN BY: T. LACKEY
 CHECKED BY: R. WHITCOMB
 SHEET 37 OF 67