

NOTES:

1. ALL DIMENSION ARE APPROXIMATE. DIMENSIONS ARE GIVEN TO ESTIMATE QUANTITIES AND LAYOUT. VERIFY ALL DIMENSIONS.

2. CUT TO FIT ALL BARS.

3. PROVIDE 3" OF COVER. IF 3" COVER IS IMPOSSIBLE, THEN CENTER BARS IN THE STRUCTURAL UNIT.

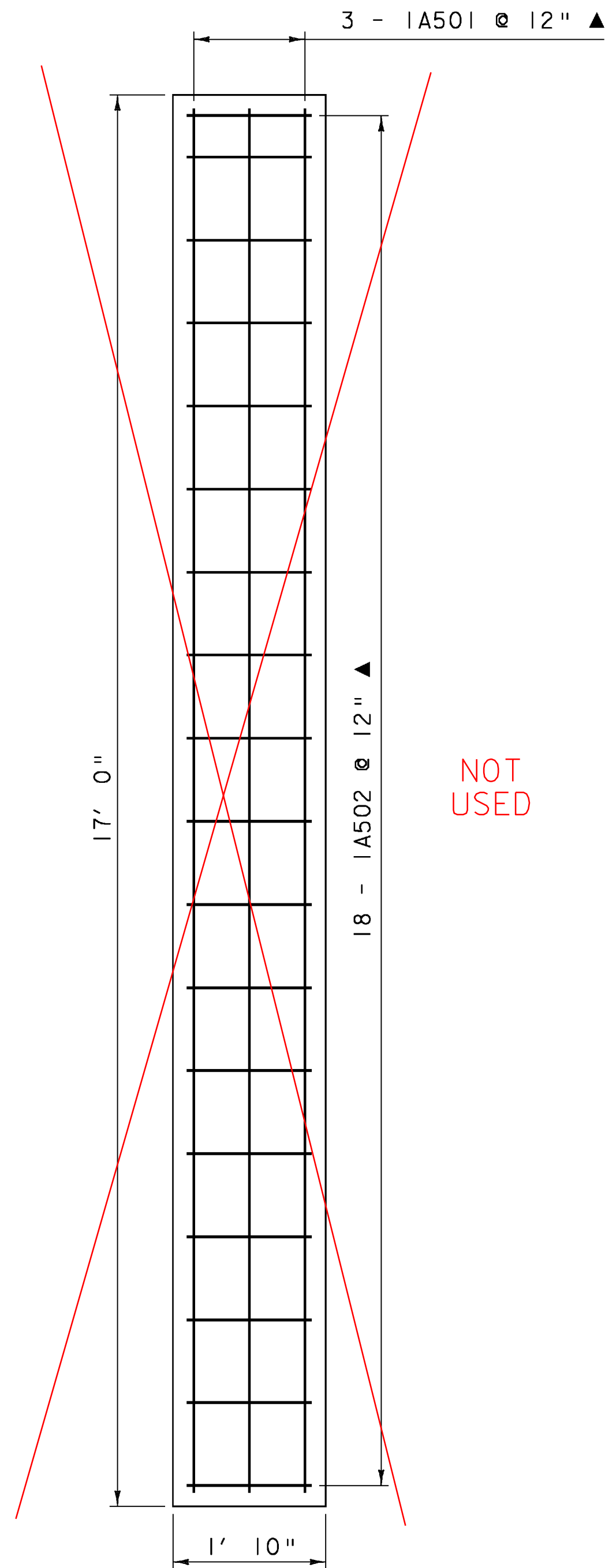
4. SEE THE SUBSTRUCTURE DETAILS SHEET FOR ELEVATIONS .

5. SEE THE RETAINING WALL DETAILS SHEET FOR THE REINFORCING STEEL SCHEDULE LEGEND.

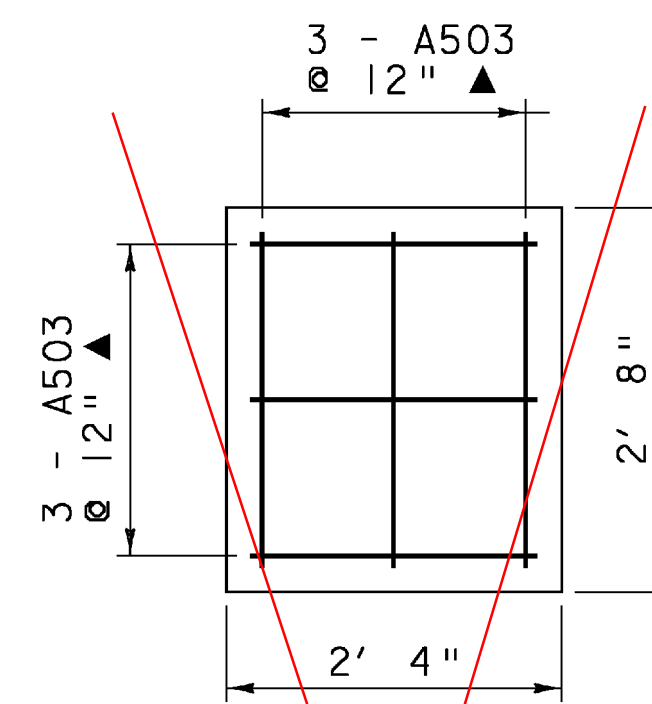
REINFORCING STEEL SCHEDULE

ITEM	EACH	SIZE	LENGTH	MARK	TYPE	A	B	C	D	E	F	G
ABUTMENT 1												
△	5	5	16'- 6"	1A501	STR							
	18	5	1'- 4"	1A502	STR							
	18	5	2'- 2"	1A503	STR							
ABUTMENT 2												
△	5	5	16'- 6"	1A501	STR							
	18	5	1'- 6"	1A502	STR							
	12	5	2'- 2"	1A503	STR							

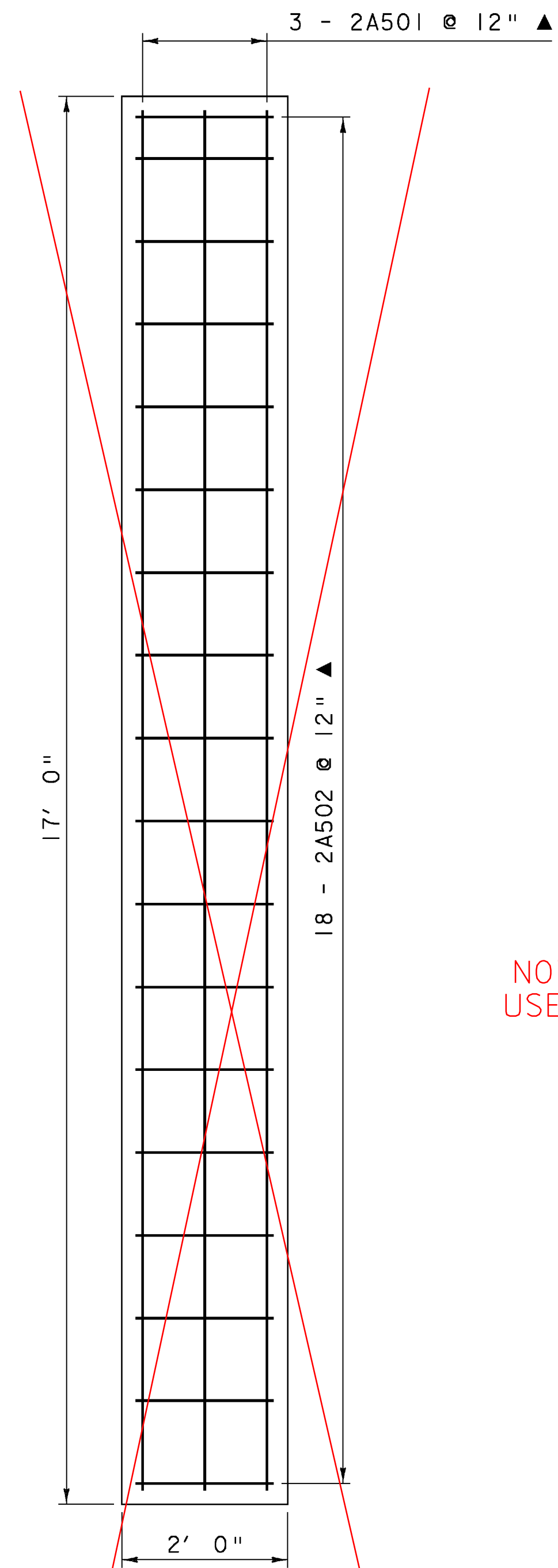
PLANS



NOT USED

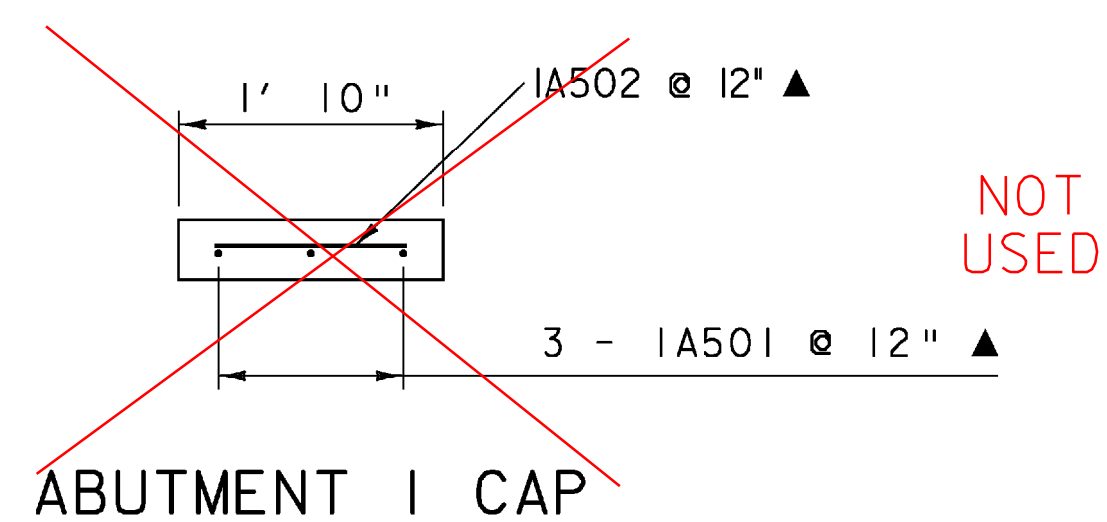


NOT USED

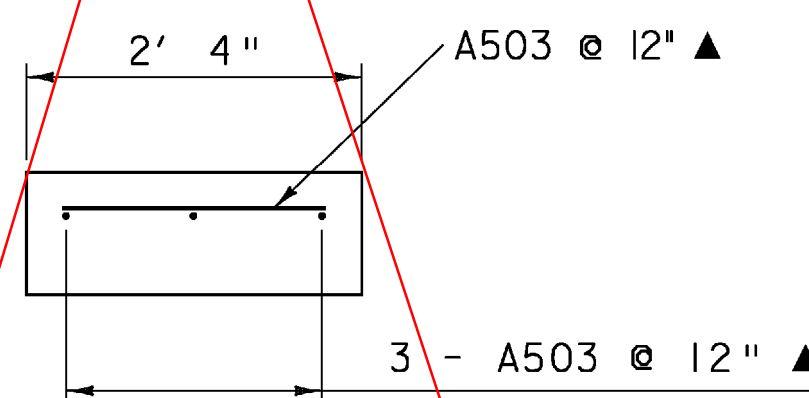


NOT USED

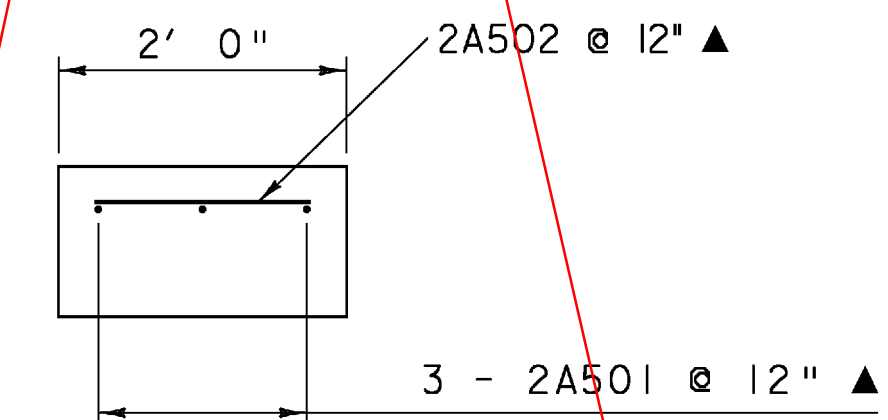
ELEVATIONS



NOT USED



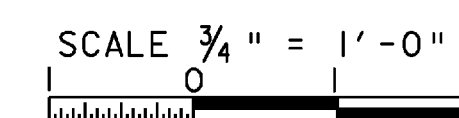
TYPICAL PIER CAP



ABUTMENT 2 CAP

NOTE:

NF = NEAR FACE
 FF = FAR FACE
 EF = EACH FACE
 ▲ = CUT TO FIT IN FIELD
 3" COVER, UNLESS OTHERWISE SPECIFIED ON THE PLANS.
 2'-2" BAR LAP UNLESS OTHERWISE SPECIFIED ON THE PLANS.



PROJECT NAME: NEWFANE
 PROJECT NUMBER: BHF 0106 (4)S

FILE NAME: s96j230str.dgn
 PROJECT LEADER: R. WHITCOMB
 DESIGNED BY: T. LACKEY
 SUBSTRUCTURE DETAILS 2

PLOT DATE: 29-APR-2009
 DRAWN BY: T. LACKEY
 CHECKED BY: R. WHITCOMB
 SHEET 33 OF 67