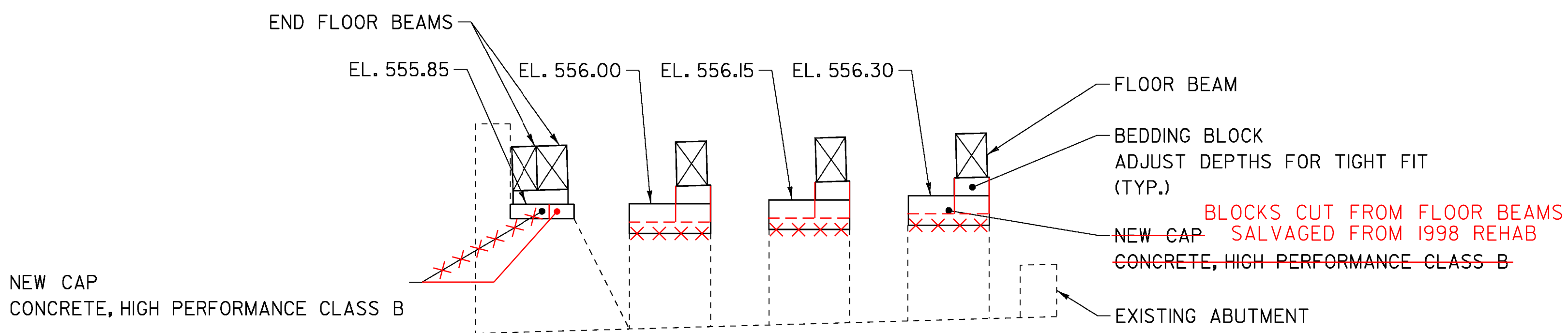
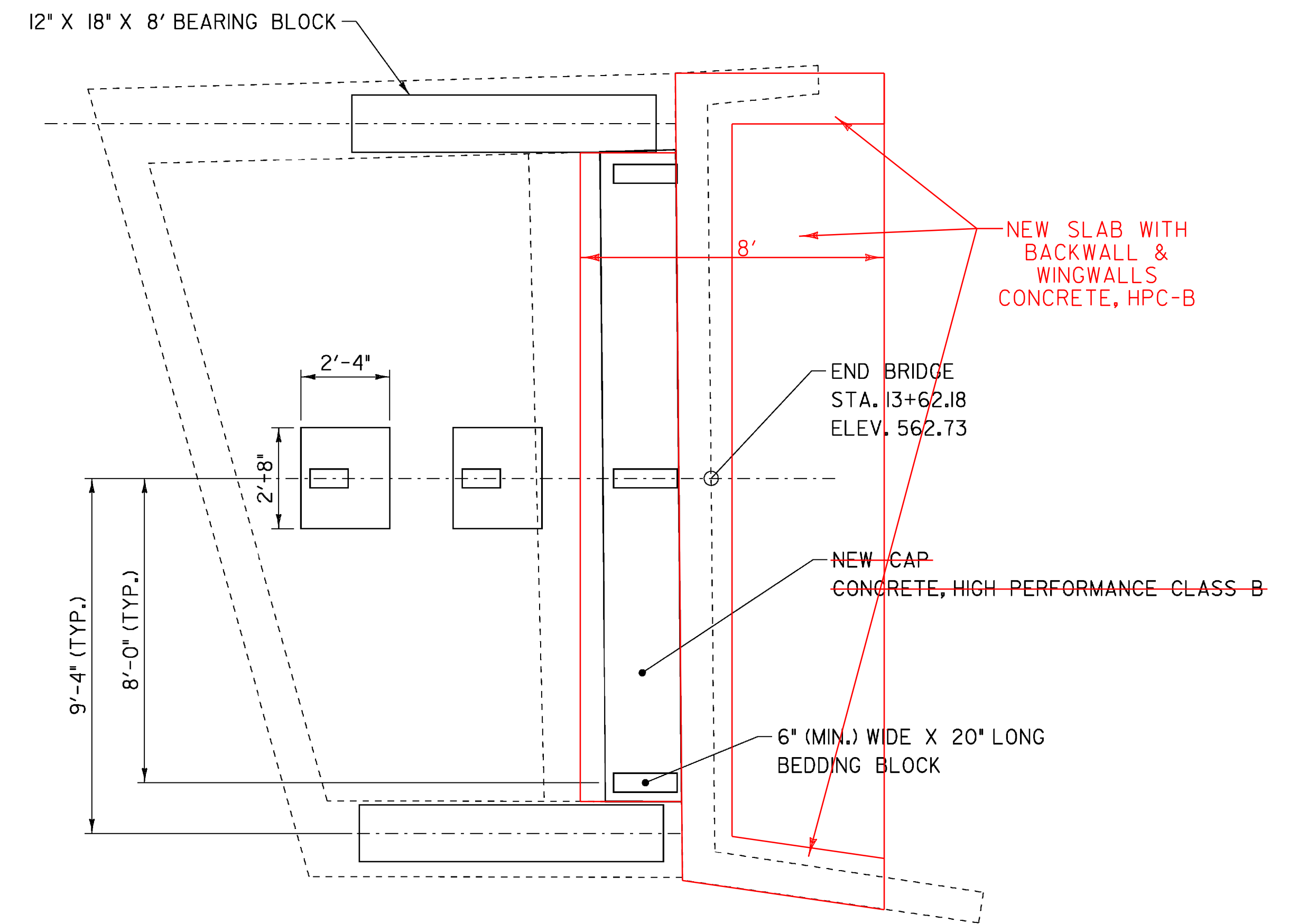


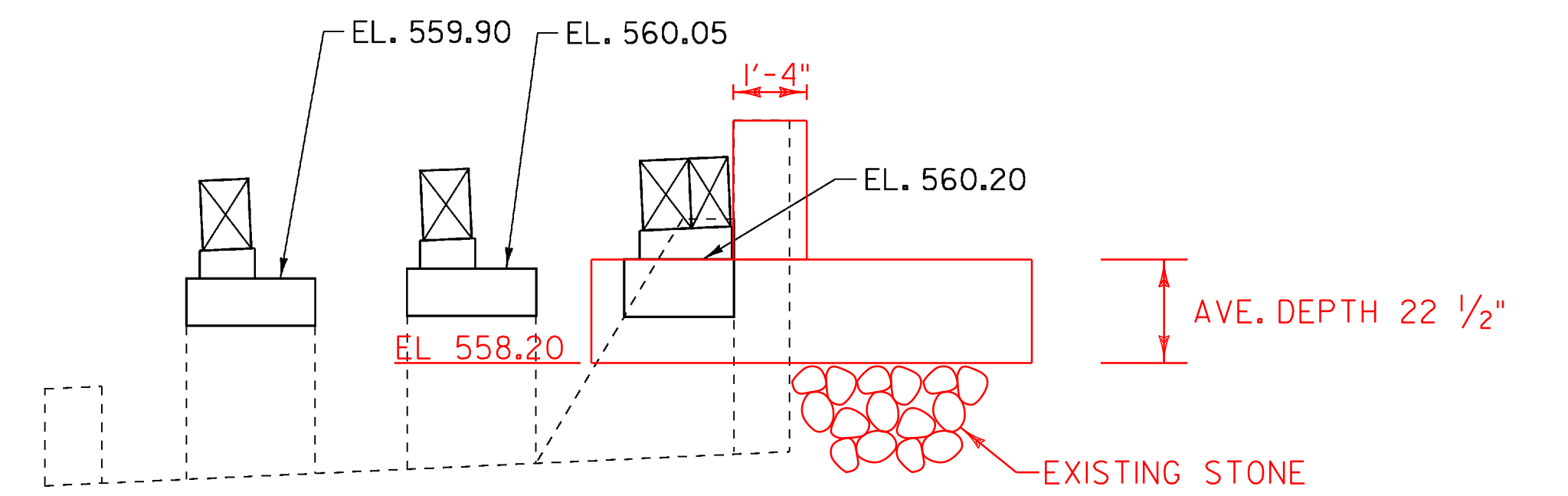
ABUTMENT 1
PLAN



ABUTMENT 1
CL SECTION



ABUTMENT 2
PLAN



ABUTMENT 2
CL SECTION

SCALE $\frac{3}{8}$ " = 1'-0"
1 0 1 2 3 4

PROJECT NAME: NEWFANE
PROJECT NUMBER: BHF 0106 (4)S

FILE NAME: s96j230str.dgn
PROJECT LEADER: R. WHITCOMB
DESIGNED BY: T. LACKEY
SUBSTRUCTURE DETAILS I

PLOT DATE: 29-APR-2009
DRAWN BY: T. LACKEY
CHECKED BY: R. WHITCOMB
SHEET 32 OF 67