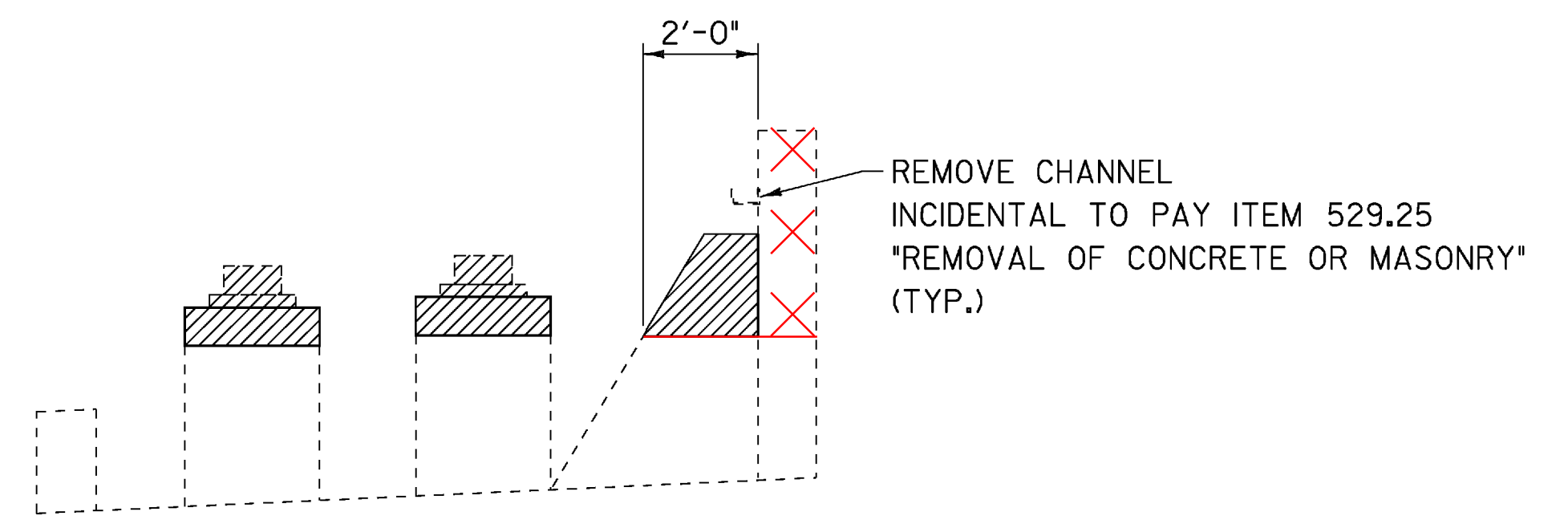
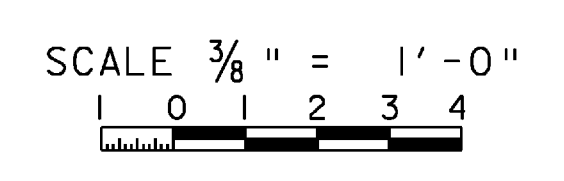


ABUTMENT 1
CL SECTION



ABUTMENT 2
CL SECTION



PROJECT NAME:	NEWFANE	FILE NAME:	s96j230str.dgn	PLOT DATE:	29-APR-2009
PROJECT NUMBER:	BHF 0106 (4)S	PROJECT LEADER:	R. WHITCOMB	DRAWN BY:	T. LACKEY
		DESIGNED BY:	T. LACKEY	CHECKED BY:	R. WHITCOMB
		SUBSTRUCTURE REMOVAL DETAILS		SHEET 31	OF 67