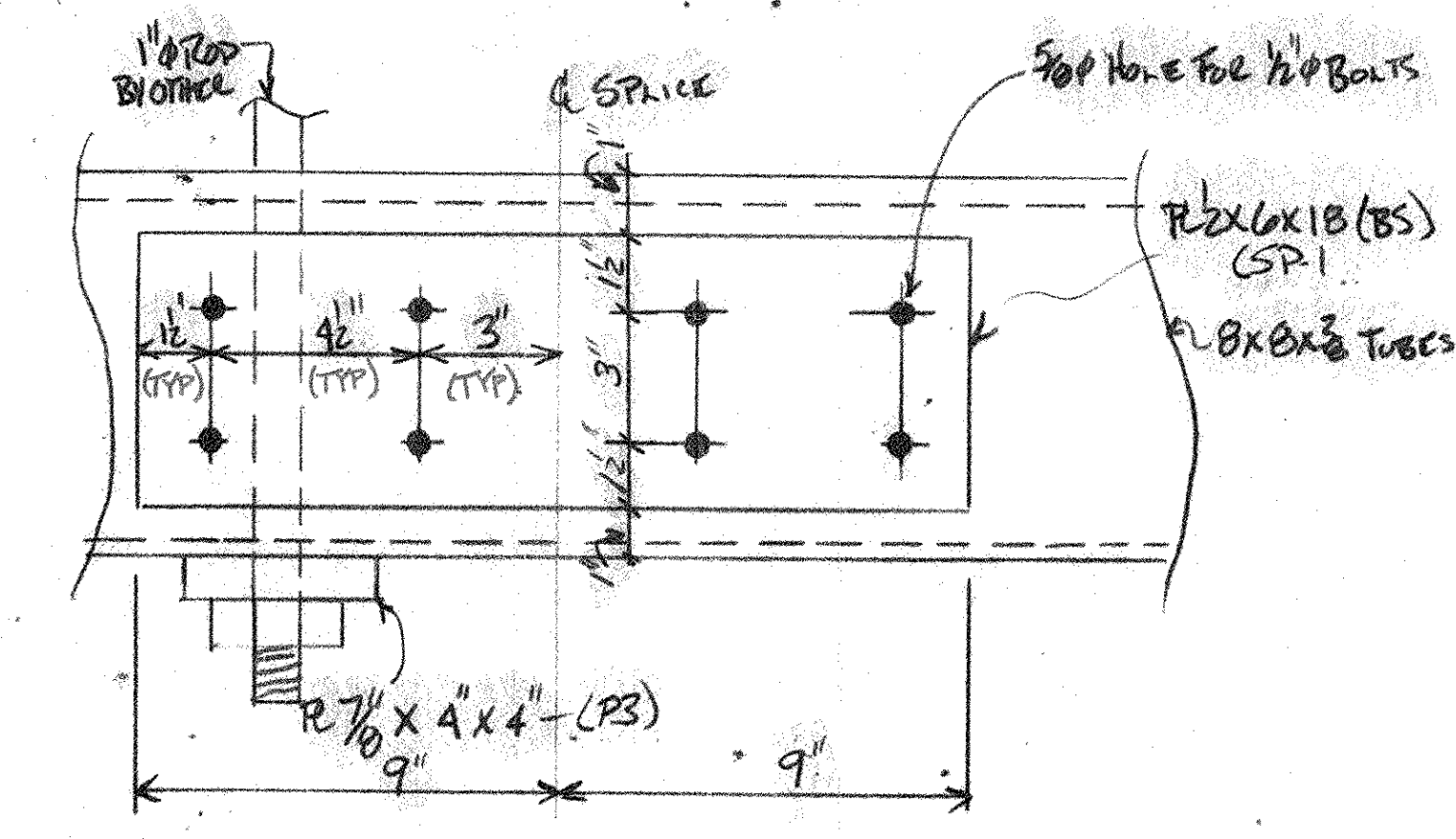


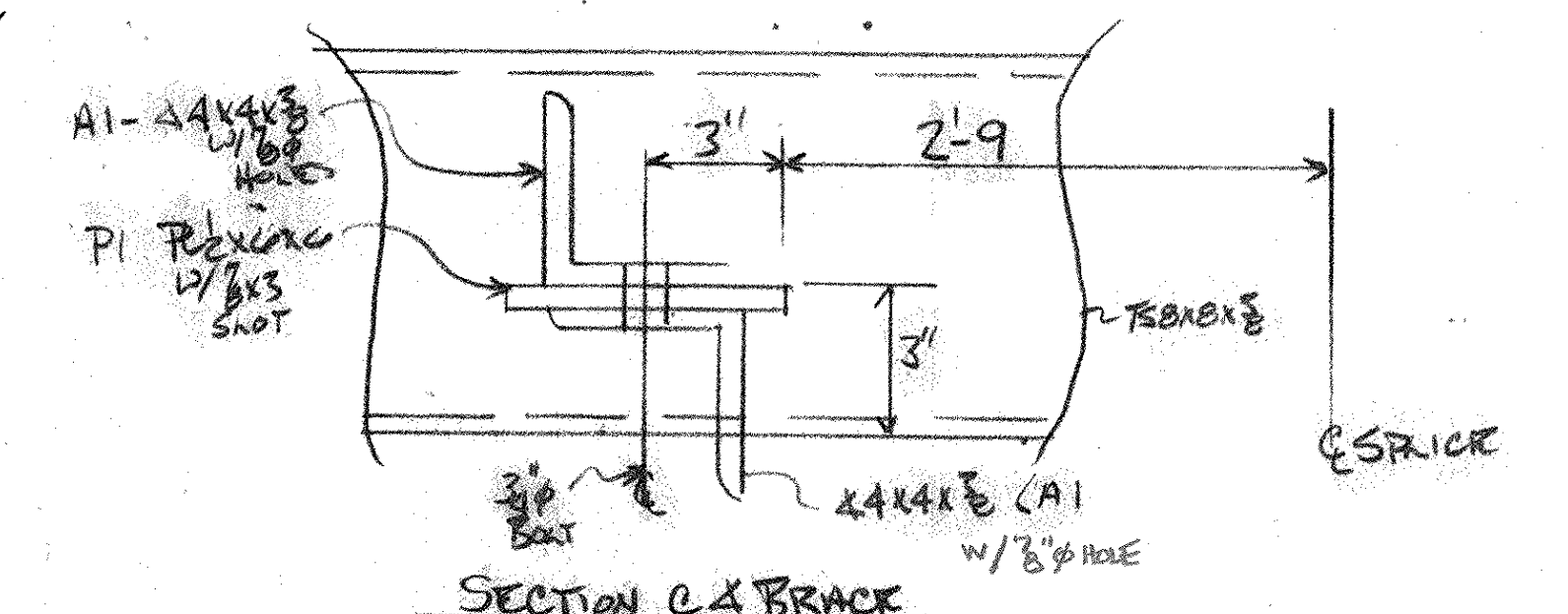
FRAMING PLAN

ALL MATERIALS AND CONSTRUCTION SHALL CONFORM TO STATE OF VERMONT AGENCY OF TRANSPORTATION STANDARD SPECIFICATIONS FOR CONSTRUCTION ADOPTED 1990, AND ITS LATEST REVISIONS AND THE AASHTO STANDARD SPECIFICATIONS FOR HIGHWAY BRIDGES, 16TH EDITION, DATED 1996, AND ITS LATEST REVISIONS.

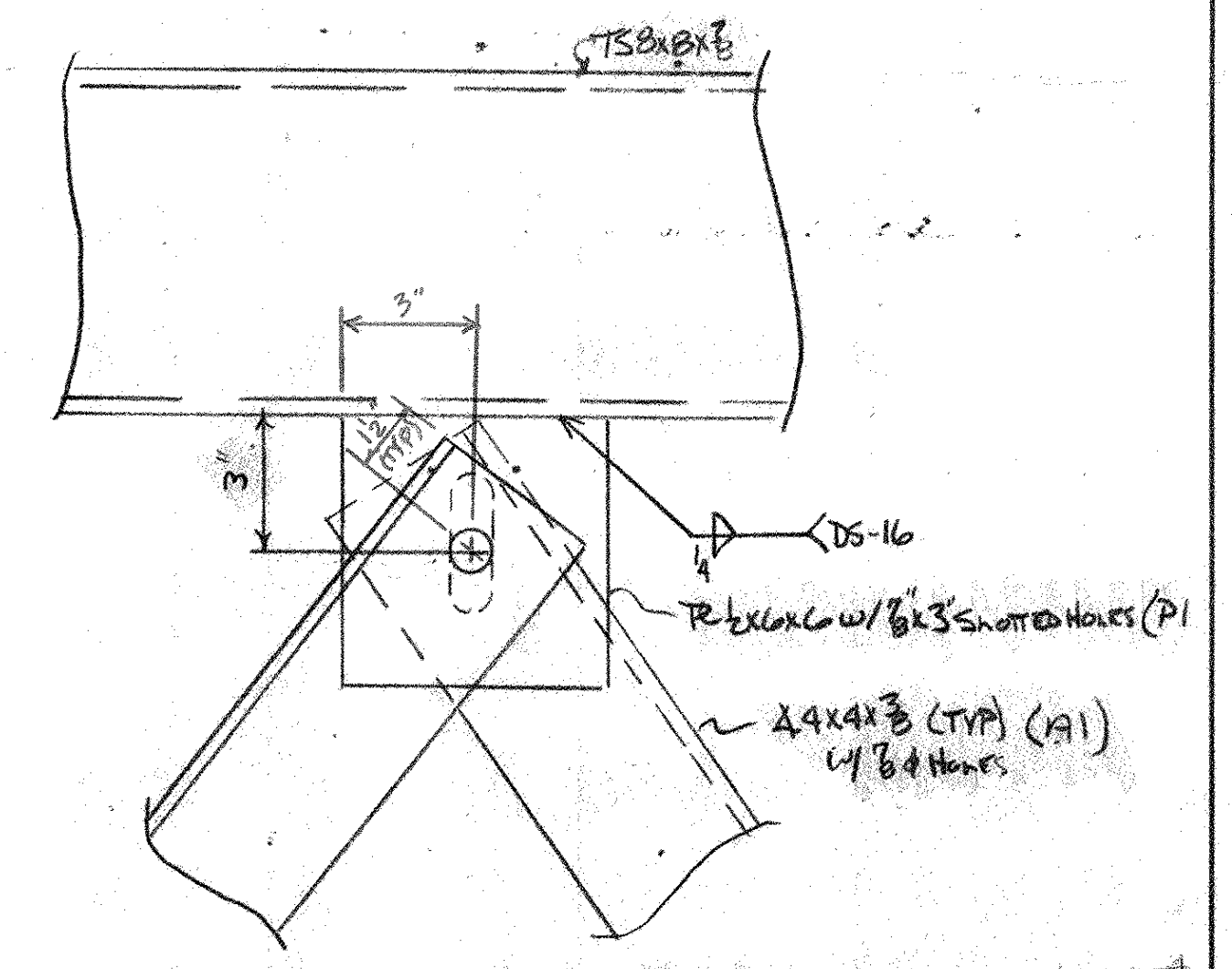
STRUCTURES COPY



TYPICAL STRIPE DETAIL



SECTION C & BRACE



FRAMING & BRACE CONNECTION

(SINGLE MEMBER - NO SLOT)
 CKD BY: [Signature] CKD BY: [Signature]
 10/28/98
 OLT / 1998
 RESUBMITTED BY: [Signature] DATE: 10-20-98
 Approved
 Approved As Noted
 Revise and Resubmit
 By: ZKD
 Date: 10-20-98

DRAWING COVERS:		PLAN / DETAILS	
DATE SUB.	PROJECT	THE OVER ROCK RIVER	
		#BHF-0106 (4)S	
	LOCATION	NEWFAIR, VT.	
	ARCHITECT		
	ENGINEER	VT AOT	
DATE APP.	CUSTOMER	NEIL DANIELS CONST	
DATE DIST.			
MERRIMACK SHEET METAL		DRAWN BY: JB	
119 HALL ST.		CKD BY: JB	
CONCORD N.H. 03301		JOB NO: 4501	
Tel. (603)224-7766		DWG. NO: E1	
Fax (603)224-7925			

REV. NO.	DATE	DESCRIPTION
1	10/16	T9/T10
HOLES		
PAINT		GAUV