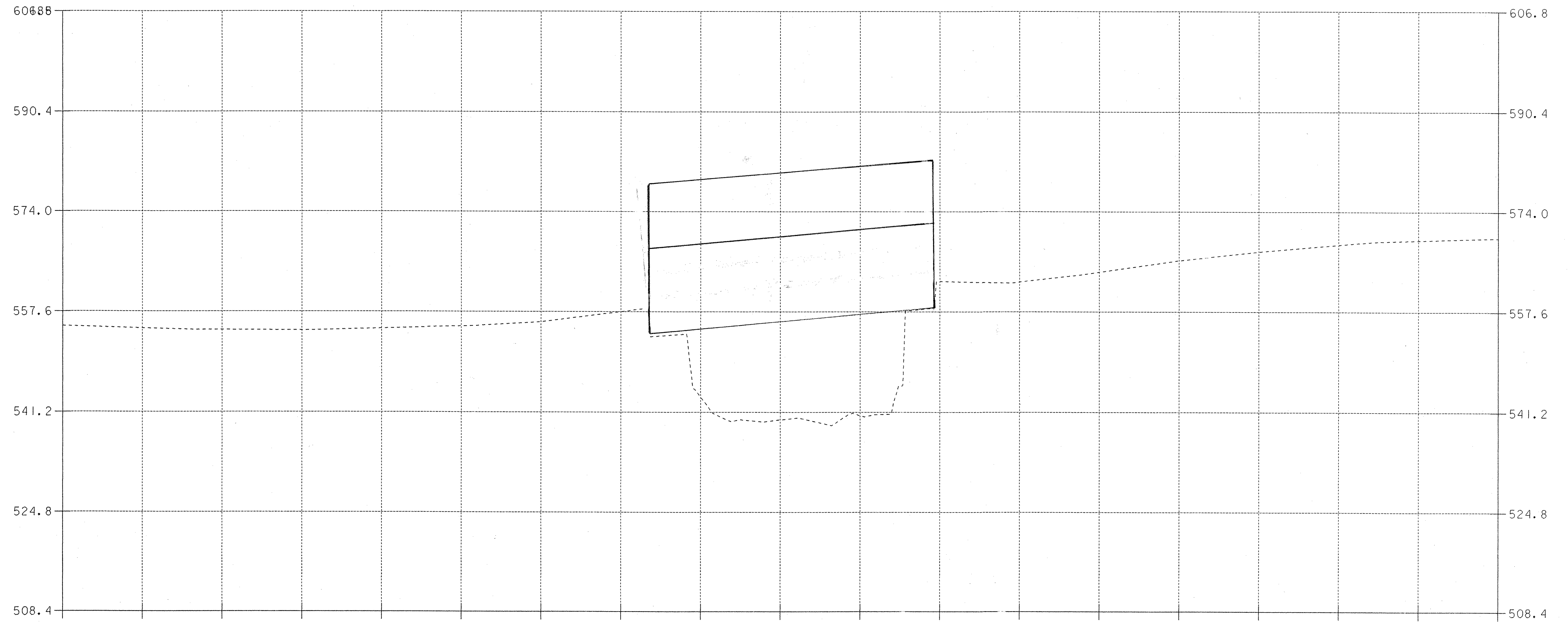


Profile Along TH 2 Centerline



APPROX. SCALE 1" = 21' HORIZ.
1" = 8.5' VERT.

DATUM	
VERTICAL	NAVD88
HORIZONTAL	NAD83 (92)

PROJECT: NEWFANE	PROJECT NO.: BHF 0106 (4)S
DESIGN FILE NAME: c:\users\str3\sj230xsl.dgn	PLOT DATE: 30-JUN-1998
IPARM FILE NAME: sj230pf2.1	SURVEY DATE: APRIL 1998
SURVEYED BY: R.D. GILMAN	DRAWN BY:
SQUAD LEADER:	SHEET: 5 OF 8
PROFILE SHEET TWO	

orig