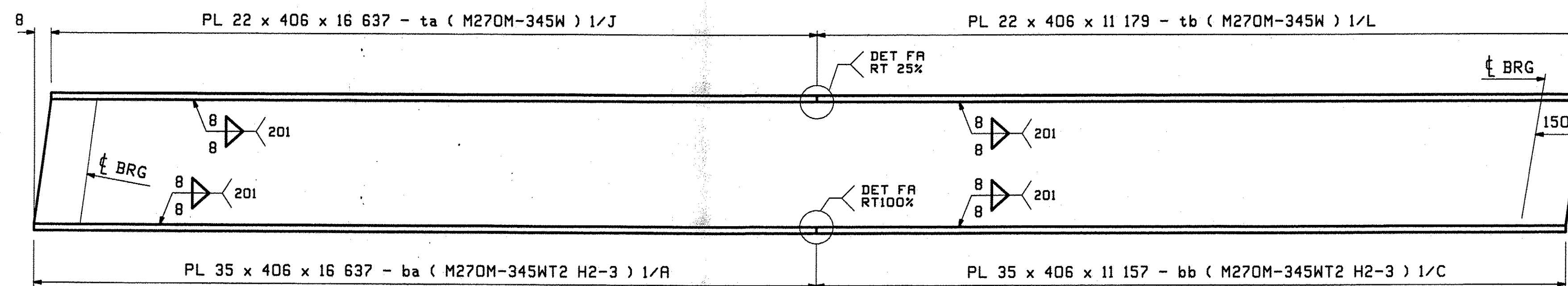
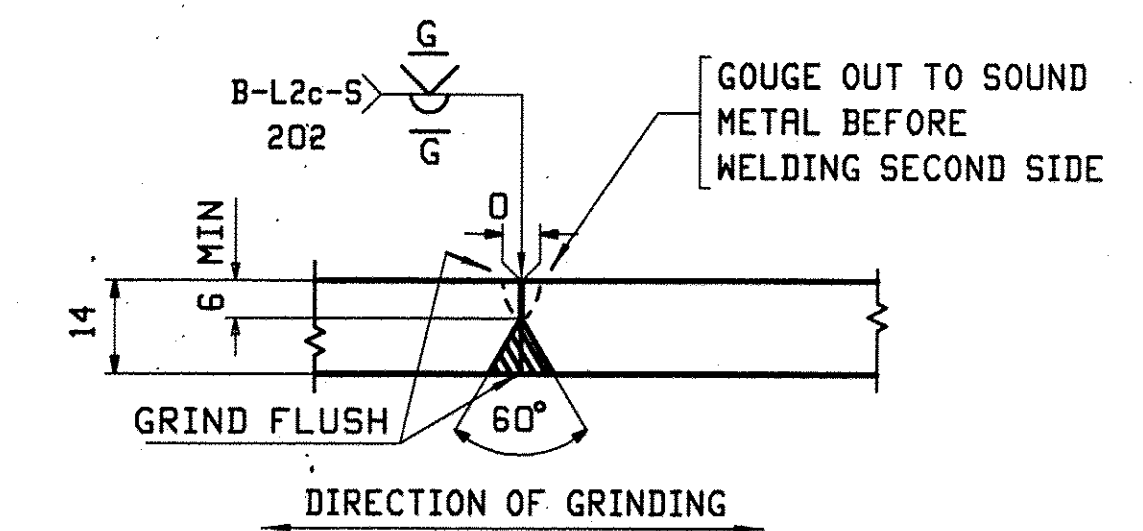


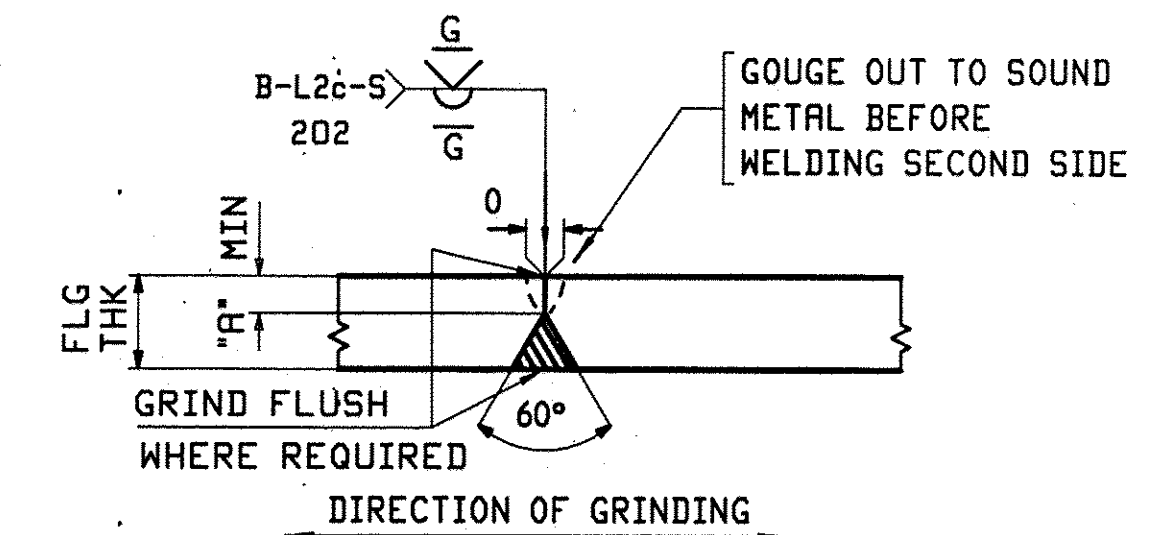
CAMBER DIAGRAM FOR 1G1 THRU 5G5



FLANGE DIAGRAM FOR 1G1 THRU 5G5



WEB PLATE SPLICE DETAIL "WA"



FLANGE PLATE SPLICE DETAIL "FA"

FLG THK	'A'
22	6
35	10

NOTES:

- FOR GENERAL NOTES SEE DRAWING GNI.
- H2-3 DENOTES MATERIAL SUBJECT TO CHARPY V-NOTCH TEST AT H FREQ. FOR ZONE 2

0					JUL 22 2009	
REV.	DATE	REMARKS	DWN	CHK	APVL	SHOP
MATERIAL: M270M-345W(LN)		SURFACE PREP. & PAINT: AS NOTED ON GNI		HOLES:		SHOP BOLTS:
DESCRIPTION: CAMBER & FLANGE DIAGRAMS						
CASCO BAY STEEL STRUCTURES, INC. 75 SPRING HILL ROAD SACO, MAINE 04072 PHONE (207) 282-7360 FAX. (207) 282-1179						
STRUCTURE: T.H. 10 over Whetstone Brook BRIDGE NO 30 Brattleboro Windham County			DRAWN: JTB		DATE: 07/15	
			CHKD: PCP		DATE: 07/21	
LOCATION: Town of Brattleboro, VERMONT			JOB NO. 418		DWG NO. C1	
PROJ NO. BRF 2000(21)S					REV. 1	
CUSTOMER: VT ROT						

RECEIVED
JUL 29 2009
STRUCTURES DESIGN SECTION