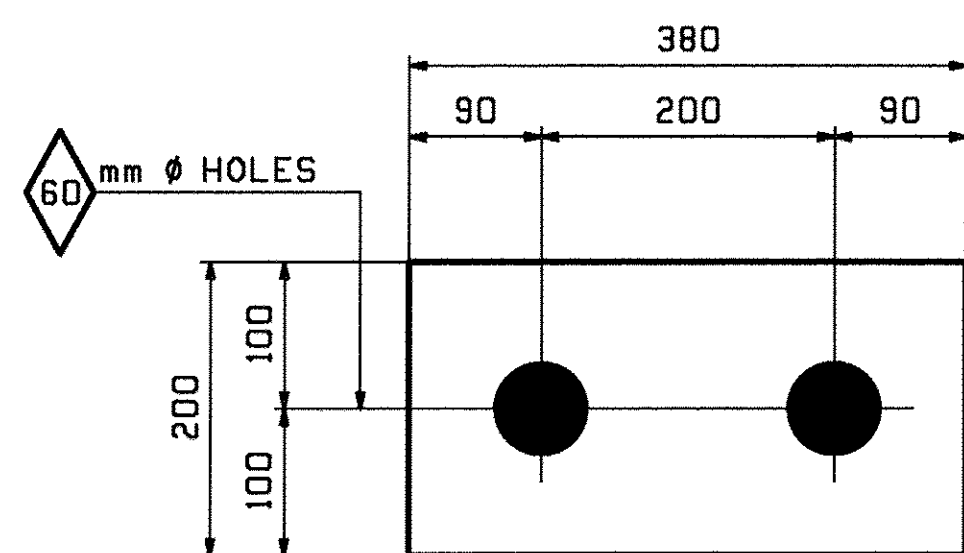
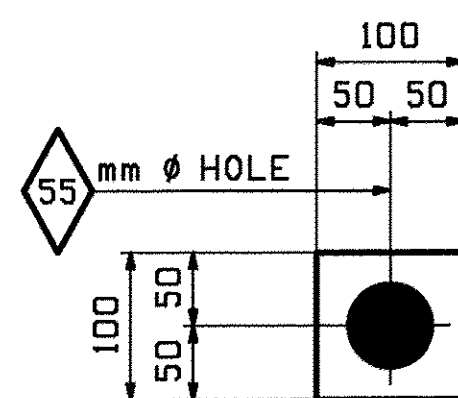


20 - ANCHOR BOLTS - 7AB1



10 - LEVELING PLATES - 7P1



40 - PLATE WASHERS - 7P2

BOM INFO		SHIP	BILL OF MATERIAL				JOB NO.	DRAWING NO.	REV.
PAGE	LINE	MARK	QTY	MARK	MATERIAL	LENGTH	REMARKS	WT	PROCUREMENT NOTES
						m			
		7AB1	20		ANCHOR BOLTS			12 kg 26.45	
3	B		20	a7	ROD 50	0 750	CLASS 8.8 A563M		
3	F		20		2"DIA HHN		A563M		
3	G		40		2"DIA DBL HHN		A563M		
		7P1	10		LEVELING PLATES			21 kg 46.18	
3	C		10		PL 35x200	0 380			
		7P2	40		PLATE WASHERS			1 kg 2.20	
3	D		40		PL 13x100	0 100			

RECEIVED
 OK'D BY WJC OK'D BY DRP
 AUG 11 2009
 PREPARED BY CWC APPROVED AS NOTED
 DATE 8-14-09

NEW DRAWING PER EXTRA-TEC-2894001-F

REV.	DATE	REMARKS	DMN	CHK	APVL	SHOP
0						
MATERIAL:		SURFACE PREP. & PAINT:	HOLES:		SHOP BOLTS:	
AS NOTED		SEE DWG GNI	AS NOTED		NONE	
DESCRIPTION: LEVELING PLATES, PLATE WASHERS & ANCHOR BOLTS						
CASCO BAY STEEL STRUCTURES, INC. 75 SPRING HILL ROAD SACO, MAINE 04072 PHONE (207) 282-7360 FAX. (207) 282-1179						
STRUCTURE: T.H. 10 over Whetstone Brook BRIDGE NO 30 Brattleboro Windham County			DRAWN: WJF	DATE: 08/07		
			CHKD: PCP	DATE: 08/09		
LOCATION: Town of Brattleboro, VERMONT					JOB NO.	DWG NO.
PROJ NO. BRF 2000(2)1S					418	7
CUSTOMER: VT AOT						REV. <u>△</u>