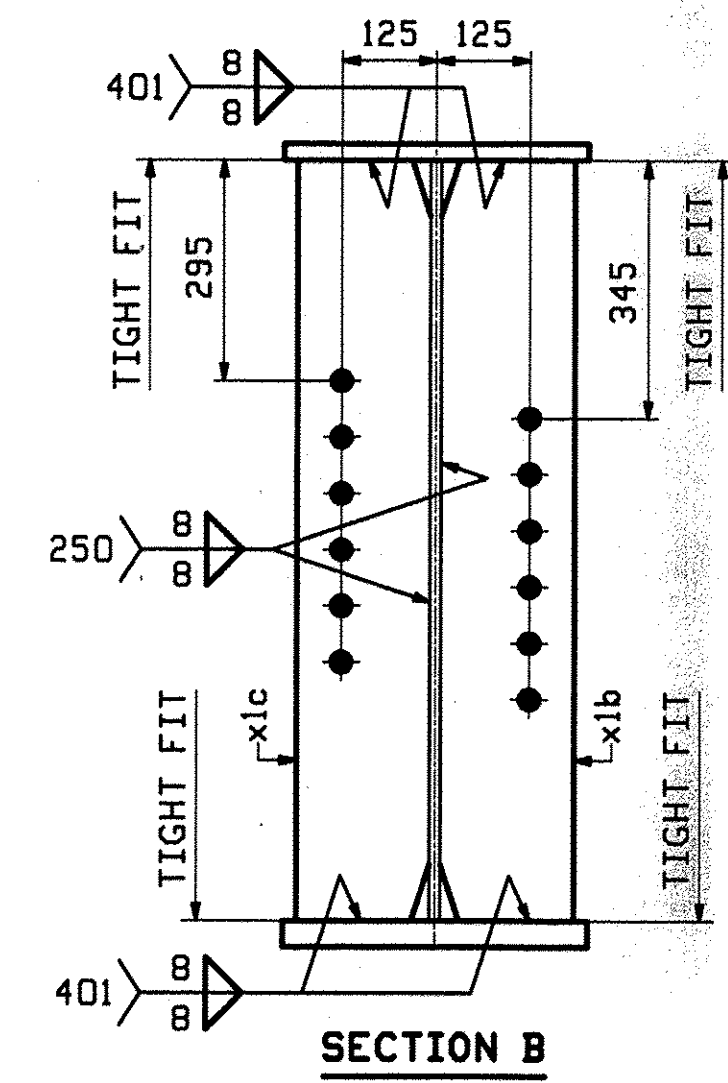
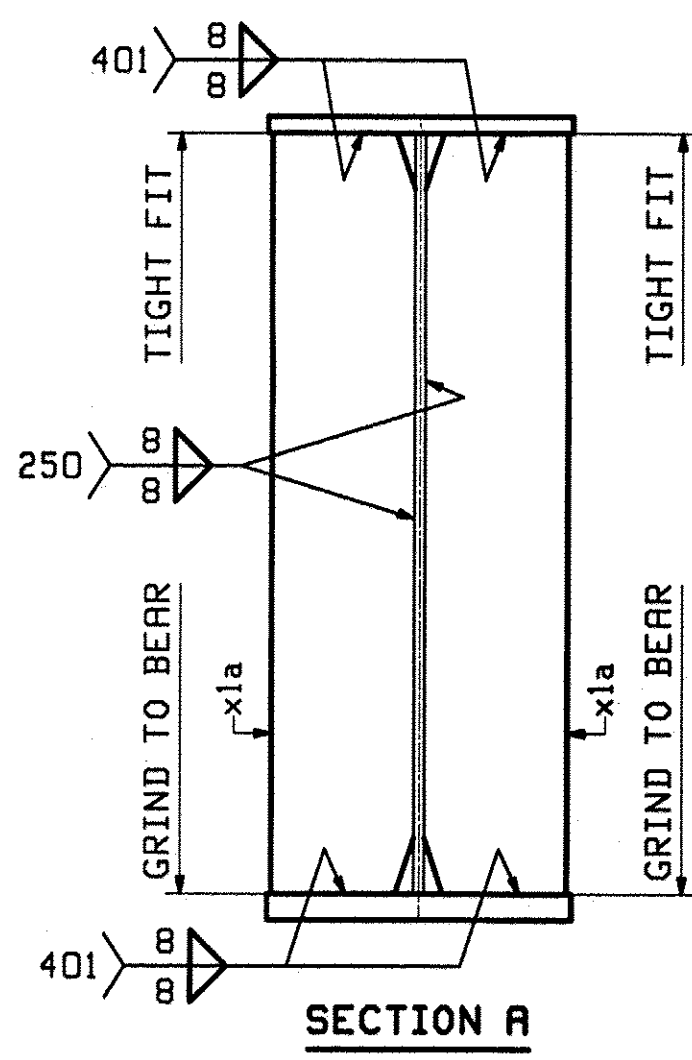
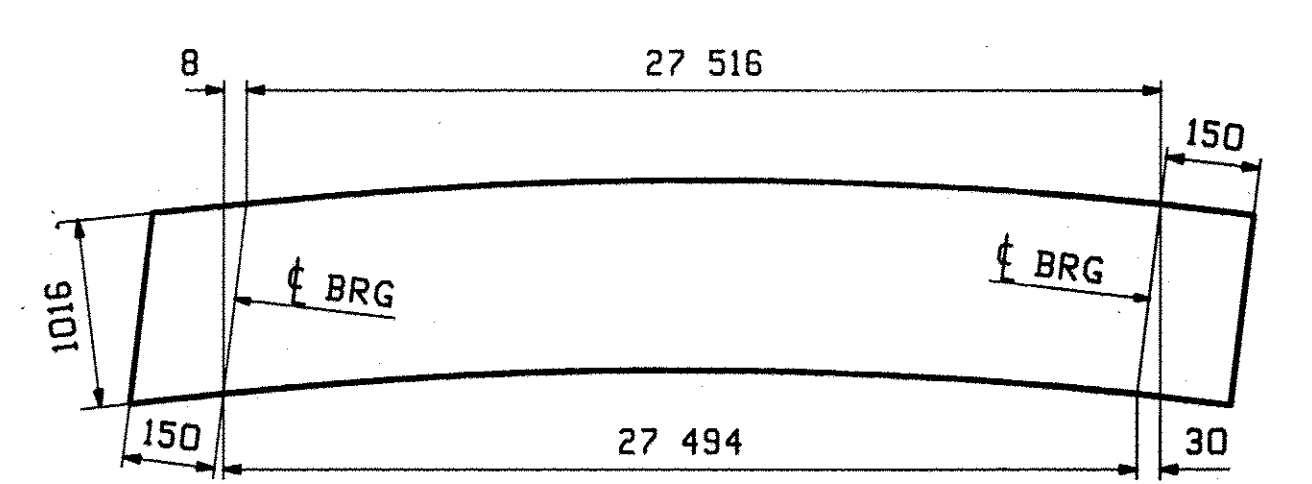
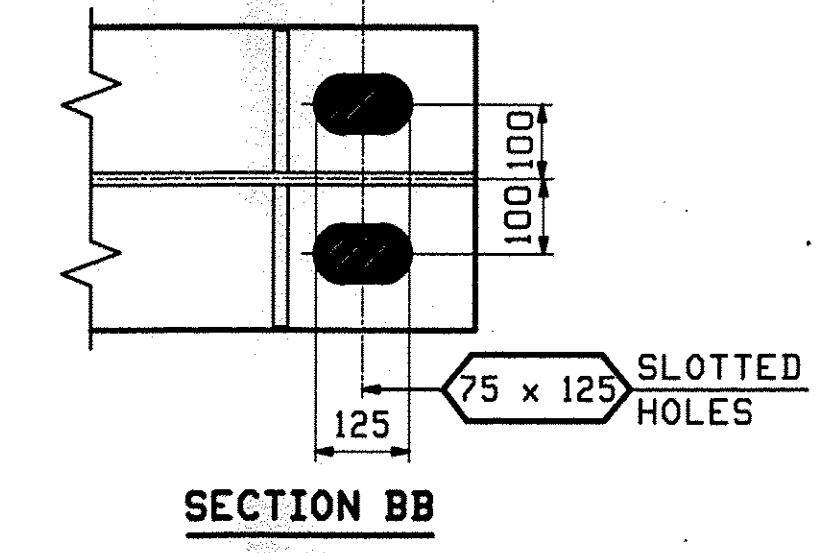
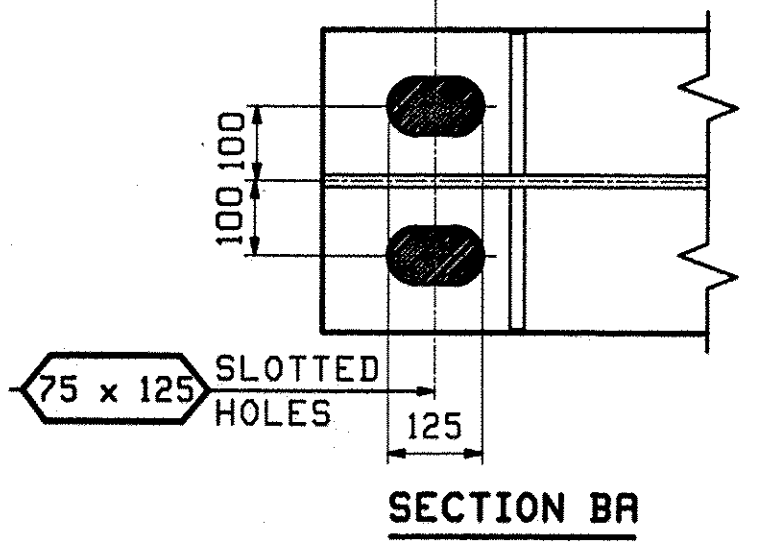


ABM INFO		BILL OF MATERIAL				JOB NO.	DRAWING NO.	REV.	
PAGE	LINE	MARK	QTY	MARK	MATERIAL	LENGTH	REMARKS	WT	PROCUREMENT NOTES
		2G2	1		GIRDER				8458 & 8846 (b)
1	E		1	ua	PL 14x1016	16 949	M270M-345HT2 (H2-3)		
1	G		1	ub	PL 14x1016	10 883	M270M-345HT2 (H2-3)		
1	J		1	ta	PL 22x406	16 637			
1	L		1	tb	PL 22x406	11 179			
1	A		1	ba	PL 35x406	16 637	M270M-345HT2 (H2-3)		
1	C		1	bb	PL 35x406	11 157	M270M-345HT2 (H2-3)		
2	B		4	x1a	PL 19x190	1 016	MIE		
2	C		5	x1b	PL 13x178	1 016			
2	C		5	x1c	PL 13x178	1 016			

ONE - GIRDER - 2G2

FOR GIRDER STANDARDS SEE DRAWING XI.
 FOR CAMBER & FLANGE DIAGRAMS SEE DRAWING C1.
 FOR GENERAL NOTES & WELD PROCEDURES SEE DRAWING GNI.
 H2-3 DENOTES MATERIAL SUBJECT TO CHARTY V-NOTCH TESTING.



REV.	DATE	REMARKS	DWN	CHK	APVL	SHOP
0						
					JUL 22 2009	
		MATERIAL: M270M-345W(UN)			SURFACE PREP. & PAINT: SEE DWG GNI	SHOP BOLTS: NONE
					HOLES: 15" Ø (UN)	
DESCRIPTION: GIRDER - 2G2						
CASCO BAY STEEL STRUCTURES, INC. 75 SPRING HILL ROAD SACO, MAINE 04072 PHONE (207) 282-7360 FAX. (207) 282-1179						
STRUCTURE: T.H. 10 over Wheststone Brook			DRAWN: JTB		DATE: 07/16	
BRIDGE NO 30			CHKD: PCP		DATE: 07/21	
BATTLEBORO						
WINDHAM COUNTY						
LOCATION: Town of Brattleboro, VERMONT			JOB NO. 418		DWG NO. 2	
PROJ NO. BRF 2000(21)S					REV. Δ	
CUSTOMER: VT ROT						

RECEIVED
 CKD BY: [Signature] OKD BY: DRP
 JUL 29 2009
 RESUBMIT APPROVED [Signature]
 BY: [Signature] DATE: 07/29
 VTrans - PDD
 JUL 29 2009
 Structures Design
 Section