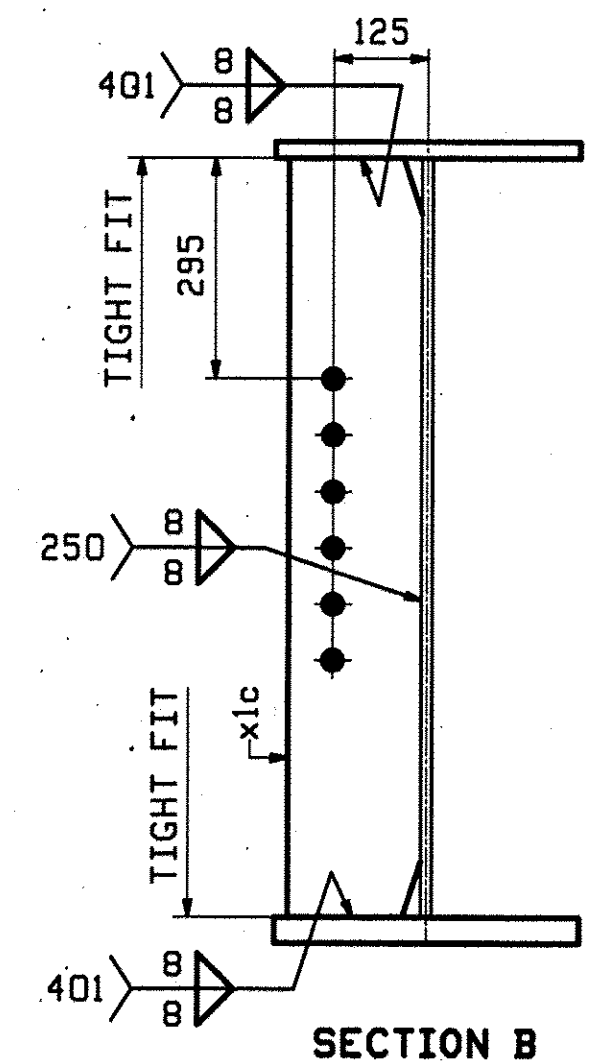
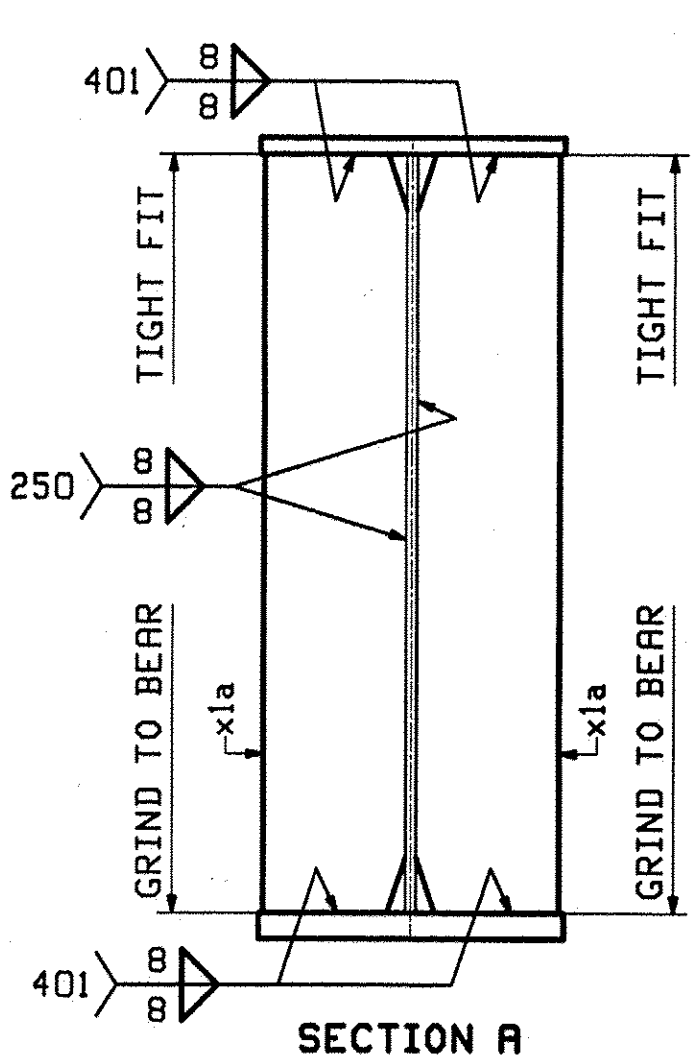
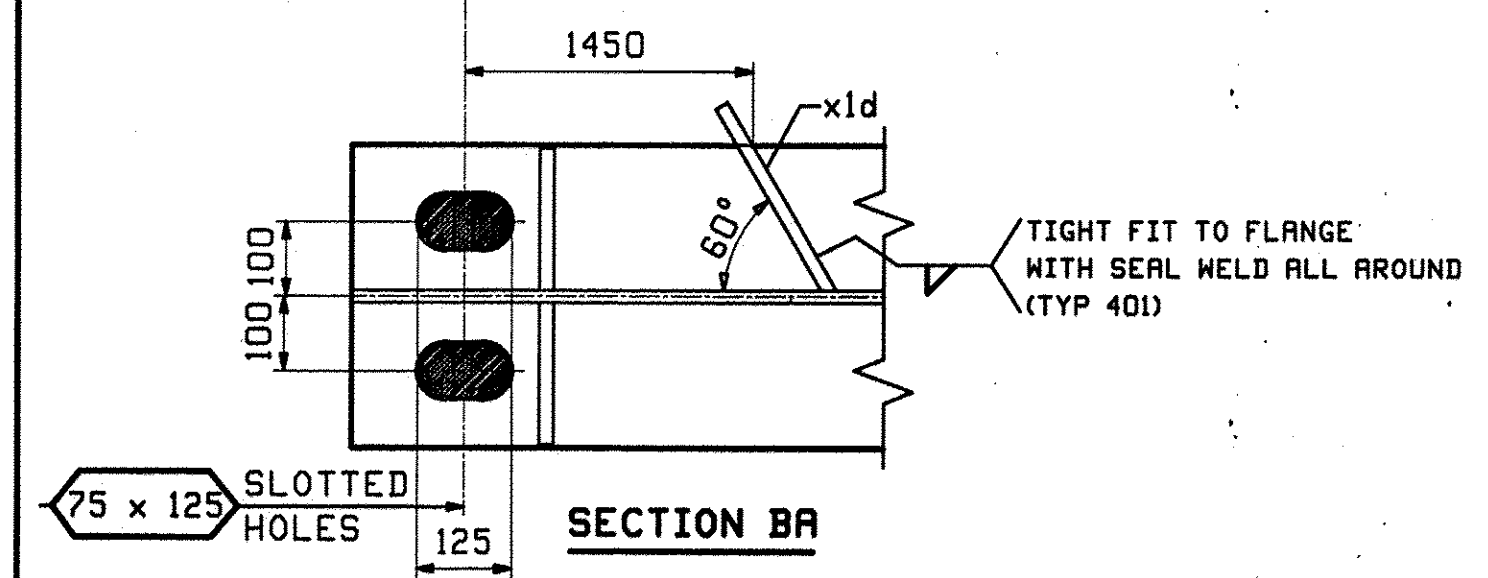
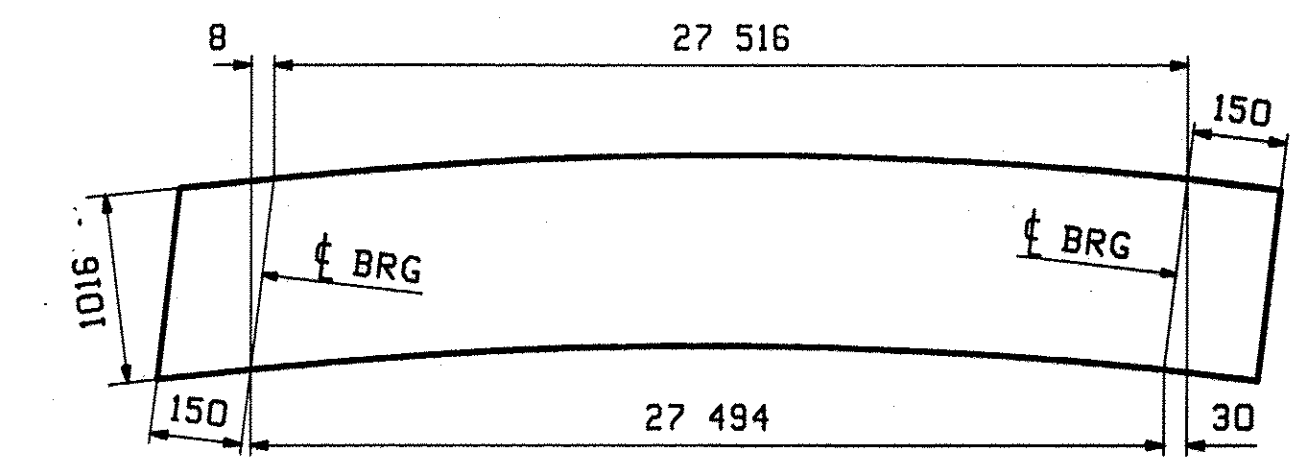
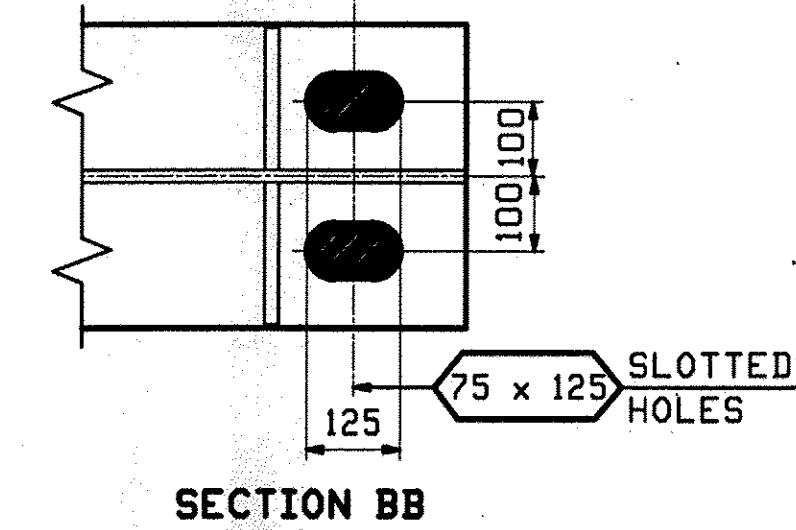


ABM INFO		SHIP		BILL OF MATERIAL		JOB NO.	DRAWING NO.	REV.	
PAGE	LINE	MARK	QTY	MARK	MATERIAL	LENGTH	REMARKS	WT	PROCUREMENT NOTES
						m			
		1G1	1		GIRDER				8367 k 8446 lb
1	E		1	wa	PL 14x1016	16 949	M270M-345WT2 (H2-3)		
1	G		1	wb	PL 14x1016	10 883	M270M-345WT2 (H2-3)		
1	J		1	ta	PL 22x406	16 637			
1	L		1	tb	PL 22x406	11 179			
1	A		1	ba	PL 35x406	16 637	M270M-345WT2 (H2-3)		
1	C		1	bb	PL 35x406	11 157	M270M-345WT2 (H2-3)		
2	B		4	x1a	PL 19x190	1 016	MIE		
2	C		5	x1c	PL 13x178	1 016			
2	D		1	x1d	PL 6x85	0 279			

**ONE - GIRDER - 1G1**

FOR GIRDER STANDARDS SEE DRAWING X1.  
 FOR CAMBER & FLANGE DIAGRAMS SEE DRAWING C1.  
 FOR GENERAL NOTES & WELD PROCEDURES SEE DRAWING GNI.  
 H2-3 DENOTES MATERIAL SUBJECT TO CHARPY V-NOTCH TESTING.



REV.	DATE	REMARKS	DWN	CHK	APVL	SHOP
0						
						JUL 22 2009
MATERIAL:		SURFACE PREP. & PAINT:		HOLES:		SHOP BOLTS:
M270M-345W(UN)		SEE DWG GNI		15/16" (UN)		NONE
DESCRIPTION: GIRDER - 1G1						
CASCO BAY STEEL STRUCTURES, INC.						
:75 SPRING HILL ROAD			SACO, MAINE 04072			
PHONE (207) 282-7360			FAX. (207) 282-1179			
STRUCTURE:		DRAWN:		DATE:		
T.H. 10 over Whetstone Brook		JTB		07/16		
BRIDGE NO 30		CHKD:		DATE:		
Brattleboro		PCP		07/21		
Windham County						
LOCATION: Town of Brattleboro, VERMONT			JOB NO.		DMG NO.	
PROJ NO. BRF 2000(2)S			418		1	
CUSTOMER: VT ROT					REV. 1	

RECEIVED  
 JUL 29 2009  
 VTrans - PDD  
 Structures Design Section

PCP - 100 JUL 21 2009 10:52:34 AM  
 C:\Users\johr\Documents\2009\11 Rev0