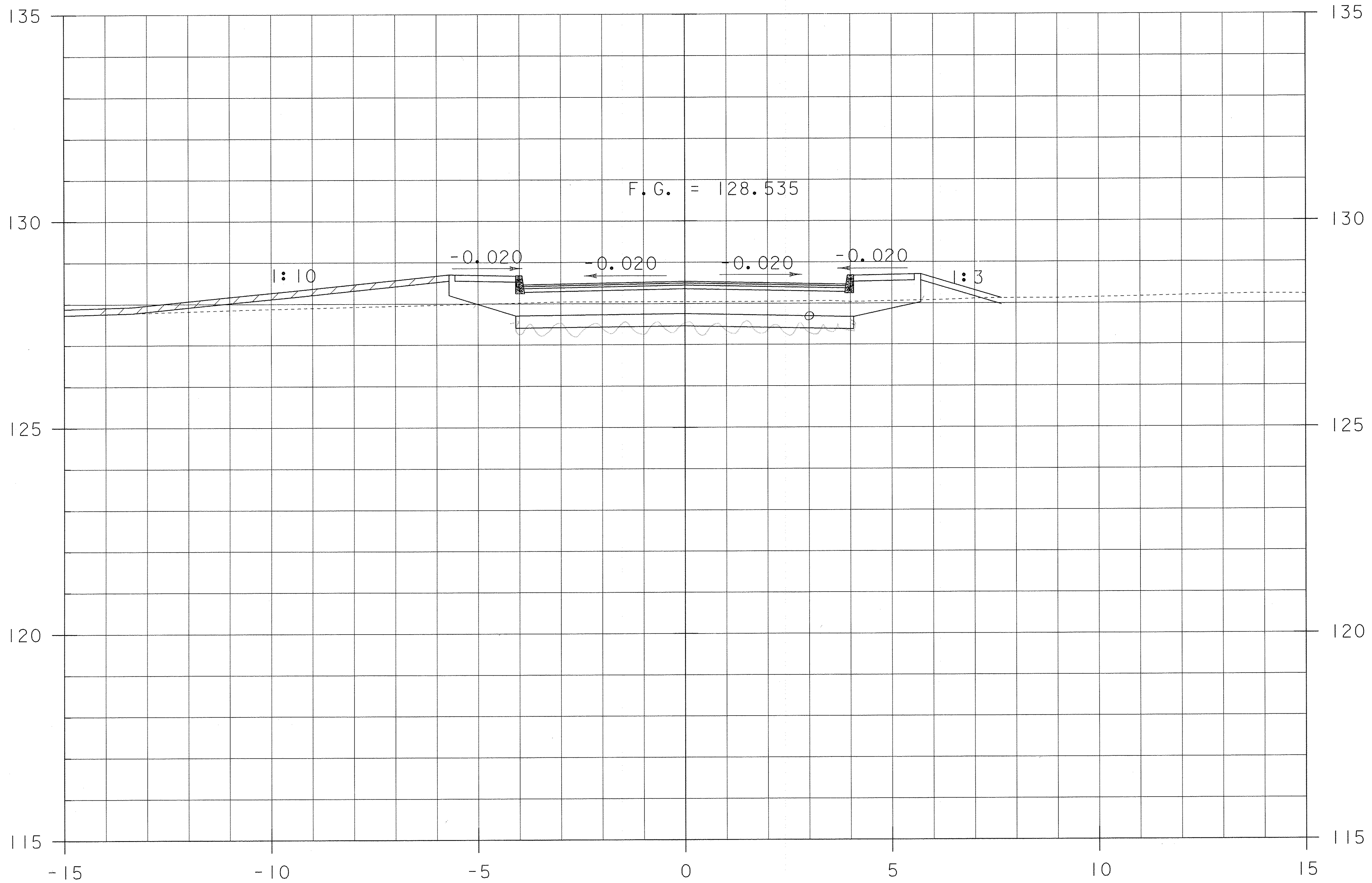
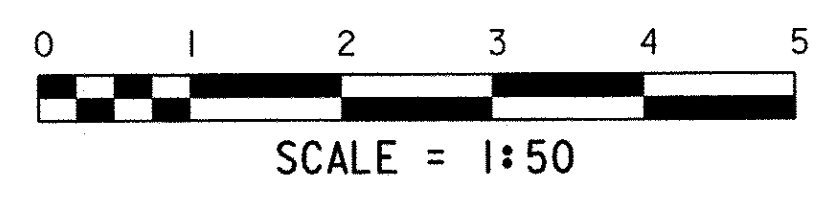


Common 126' = 3.2'
 Gutter 278' = 7.0'
 New 10+155



10+155.00



STA. 10+155 TO STA. 10+155

PROJECT NAME:	BRATTLEBORRO	PLOT DATE:	16-FEB-2010
PROJECT NUMBER:	BRF 2000(2)S	DRAWN BY:	C. MOONEY
FILE NAME:	96J228/str/sj228xs_const.dgn	CHECKED BY:	C. CARLSON
PROJECT LEADER:	C. CARLSON	SHEET	25 OF 33
DESIGNED BY:	D. PETERSON		
ML X-SECTION 25 - (MOD.)			