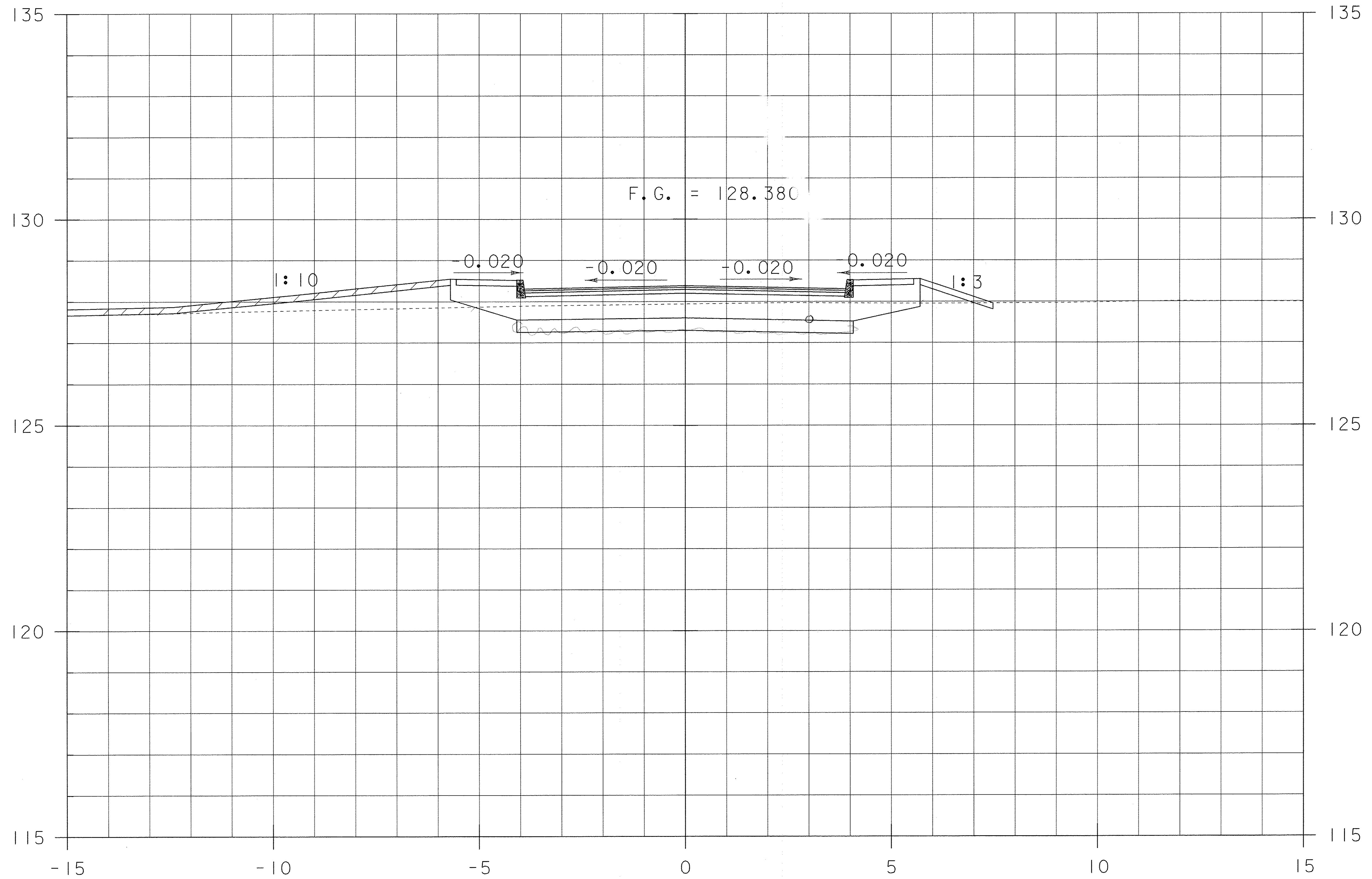


Common 116' = 3.7'  
 166' = 4.2'  
 2-23-11  
 Gravel 292' = 7.3'  
 Sand 0'  
 10-14-10



F.G. = 128.380

1:10

-0.020

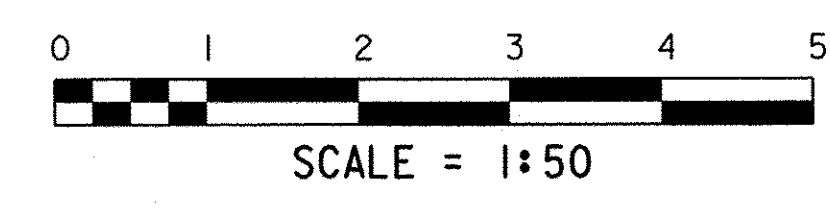
-0.020

-0.020

0.020

1:3

10+150.00  
 Zero Sand Borrow



STA. 10+150 TO STA. 10+150

STA. 10+150.000  
 END PROJECT  
 BEGIN APPROACH

PROJECT NAME:	BRATTLEBORRO
PROJECT NUMBER:	BRF 2000(2)S
FILE NAME:	96J228/str/sj228xs_const.dgn
PROJECT LEADER:	C. CARLSON
DESIGNED BY:	D. PETERSON
ML X-SECTION:	24 - (MOD.)
PLOT DATE:	16-FEB-2010
DRAWN BY:	C. MOONEY
CHECKED BY:	C. CARLSON
SHEET:	24 OF 33