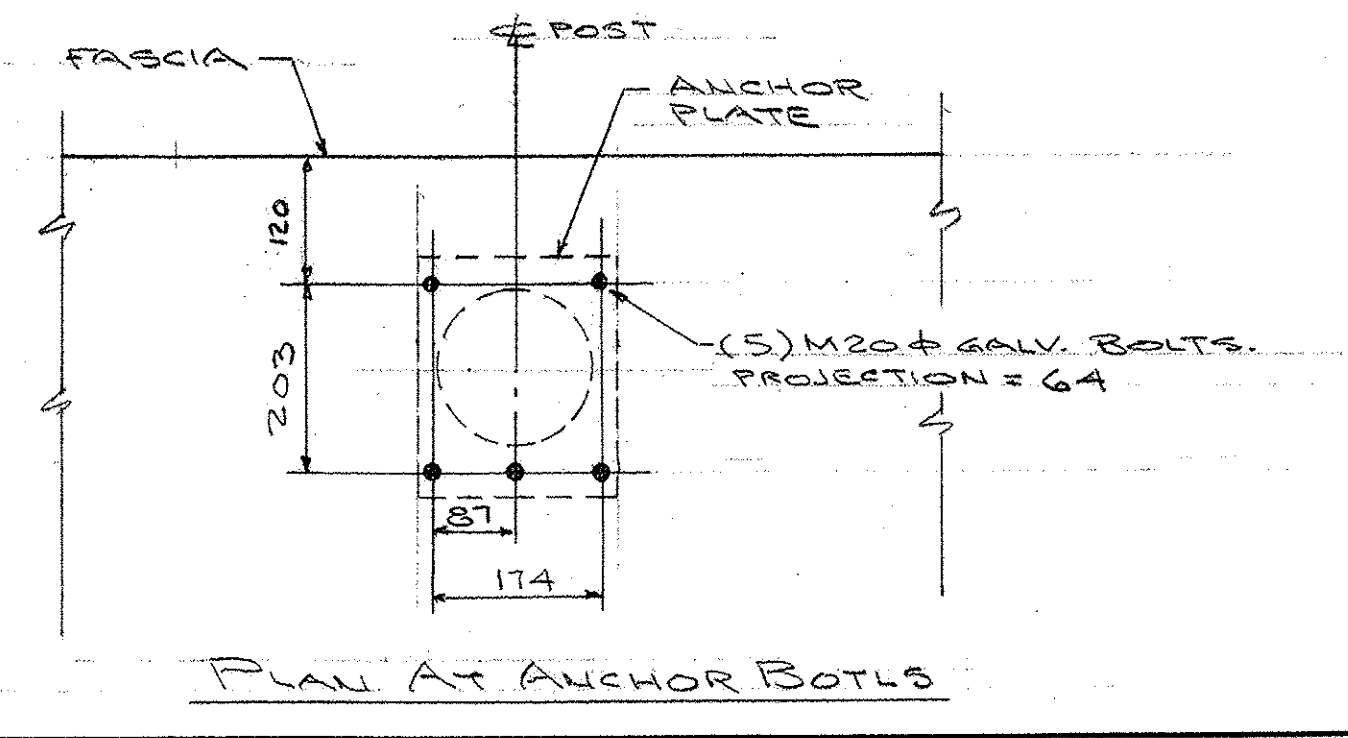
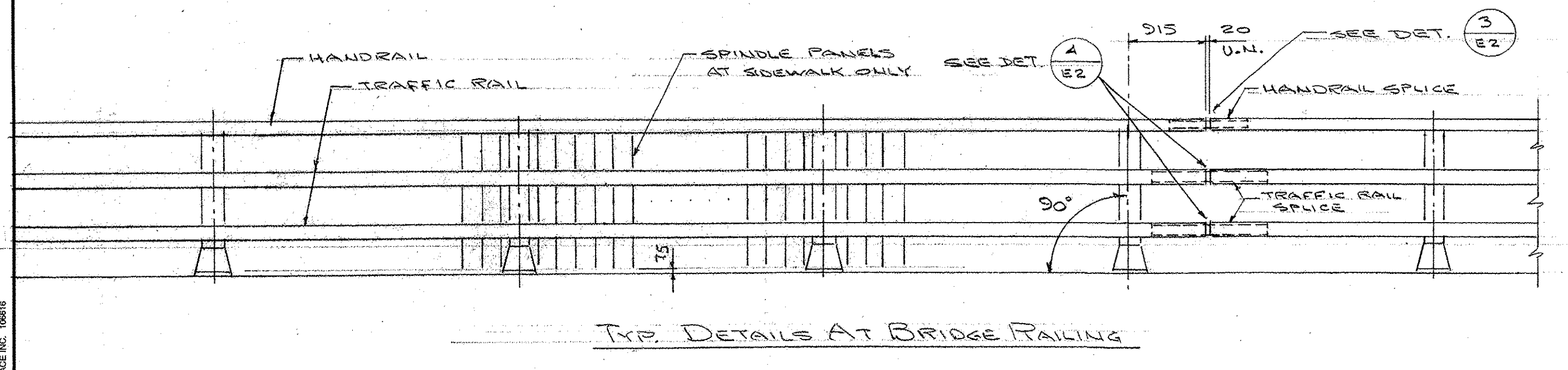
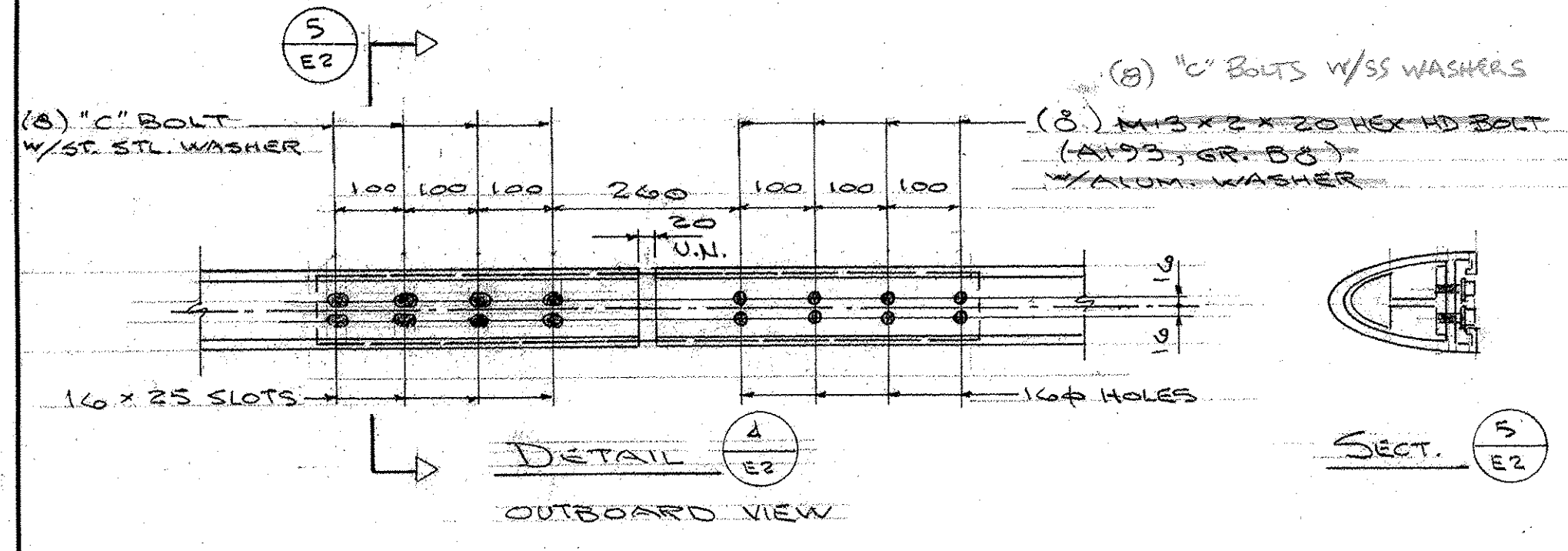
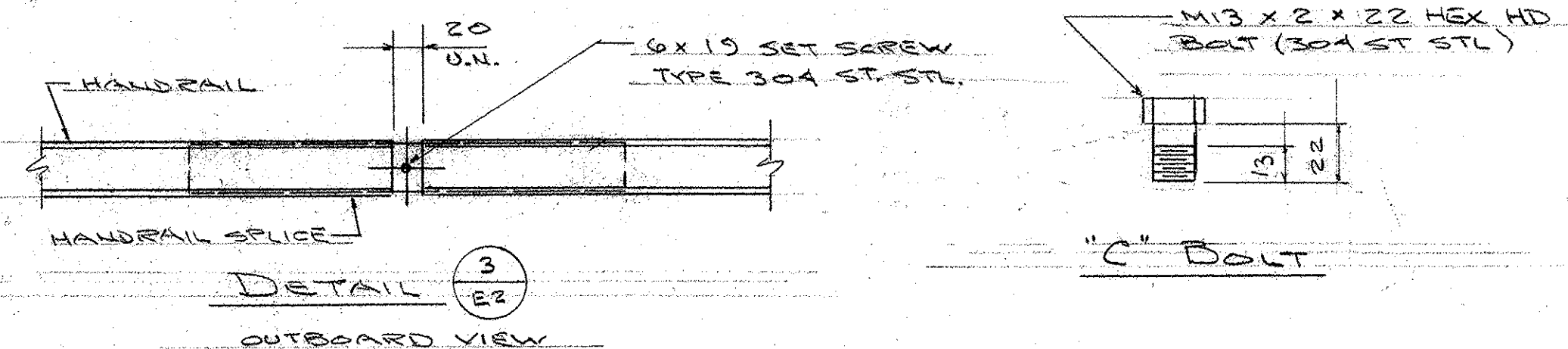
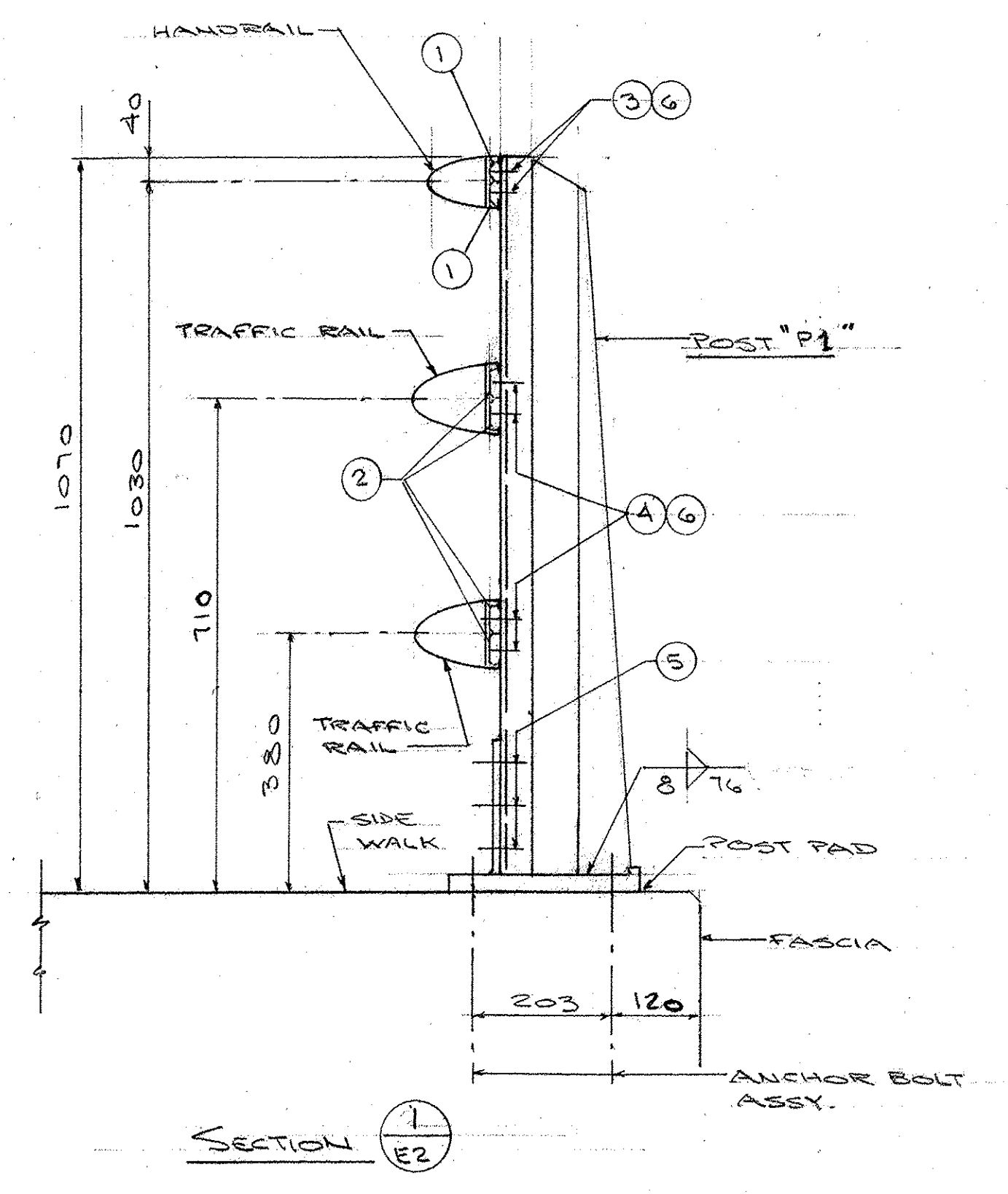


- 1 #4 CLAMP BAR
- 2 #1 CLAMP BAR
- 3 M13 x 2 x 20 HEX HD CAP SCREW (A193, GRADE B8)
- 4 M13 x 2 x 25 HEX HD CAP SCREW (A193, GRADE B8)
- 5 22 DIA. ALUM. RIVET (6061-T6), BUTTON HD., CONE POINT, COLD DRIVEN.
- 6 ALUM. WASHER 27 O.D. x 14 I.D. x 2.3 THK. (ALCLAD 2024-T4)
- 7 M13 x 2 x 38 HEX HD CAP SCREW (304 ST. STL.)
- 8 M13 x 2 HEX NUT (304 ST. STL.)
- 9 REFLECTORIZED DELINEATOR (WHITE) PER SPECS. LOCATE EVERY 9M, OR CLOSEST POST. TYPICAL AT BRIDGE RAIL & APPROACH RAIL
- 10 #8 x 19 ST STL SELF-TAPPING SCREW. DRILL POSTS IN FIELD.



RECEIVED  
 CREW: DDP, GARY, GRS  
 APR 02 2010  
 RESUBMIT APPROVED AS NOTED  
 BY: CUL DATE 4/20/10

DIM'S ARE GIVEN IN MILLIMETERS

**AUCIELLO IRON WORKS INC**  
 560 MAIN ST. HUDSON, MA (978) 568-8382

VT. AGENCY OF TRANSPORTATION  
 BRATTLEBORO #BRF 2000(21) S  
 BRIDGE # 30  
 T.H. 10 OVER WHETSTONE BROOK

ALUM. BRIDGE RAILING

SURFACE PREP: NONE	FINISH: BLACK ANODIZE
FOR: F.B. LAFAYETTE, INC.	
DR: [Signature] 2-3-2010	DWG. NO. BR-2978
JOB NO. 4-5-10	SHEET E2 OF 5

ISSUE	DATE	DESCRIPTION	BY
1	4-5-10	FOR APPROVAL	