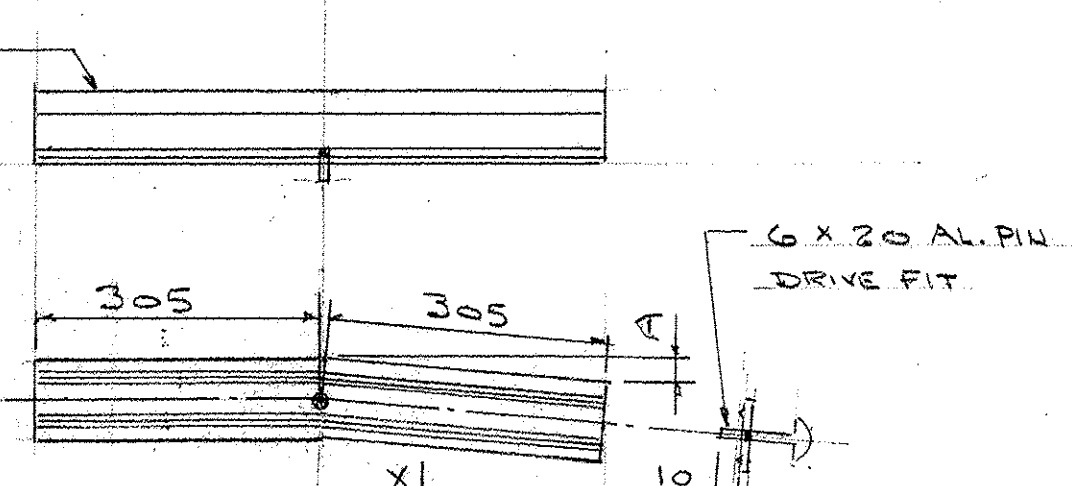
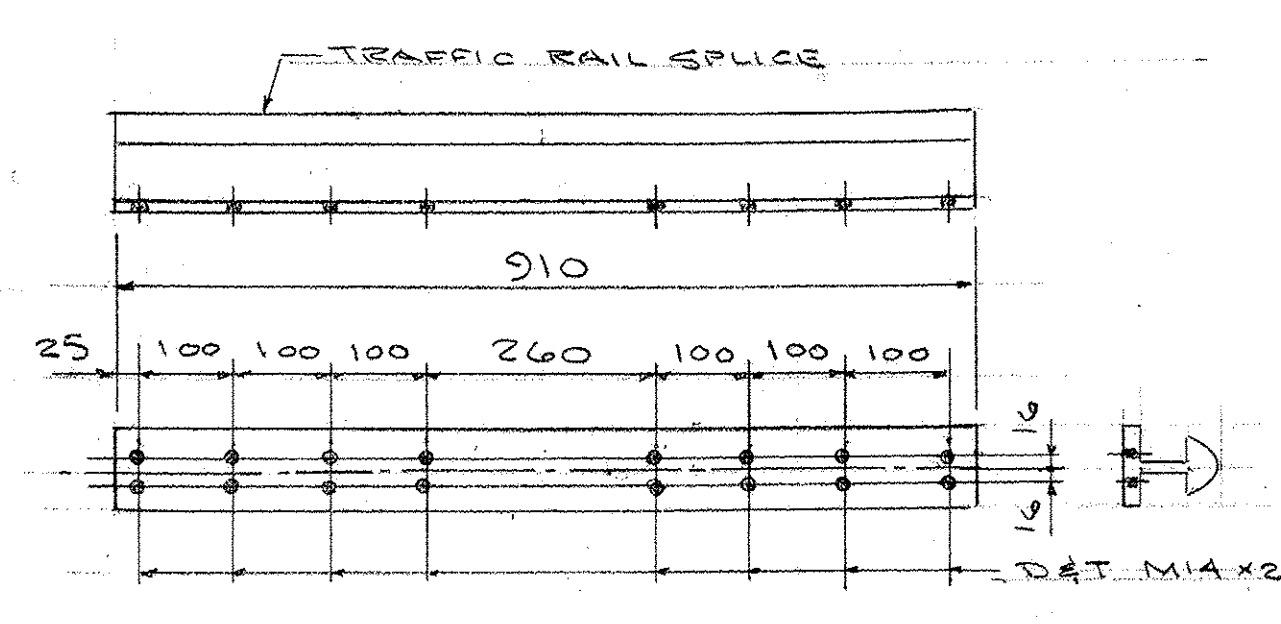


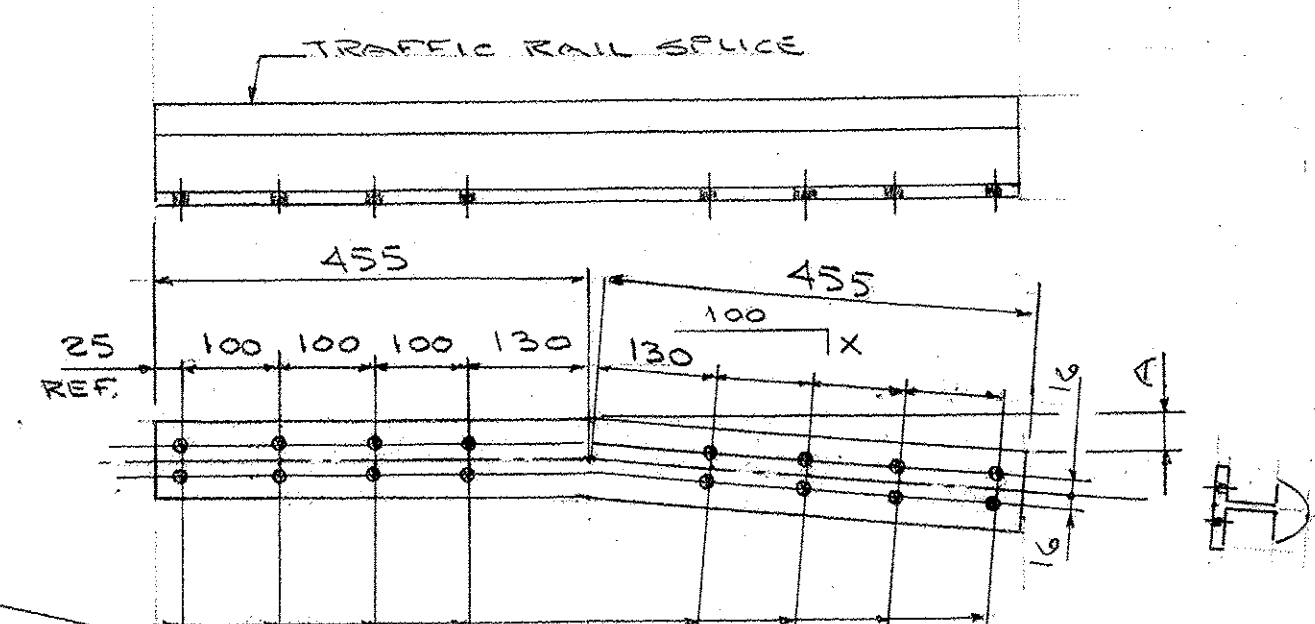
(4) SPlice HSI



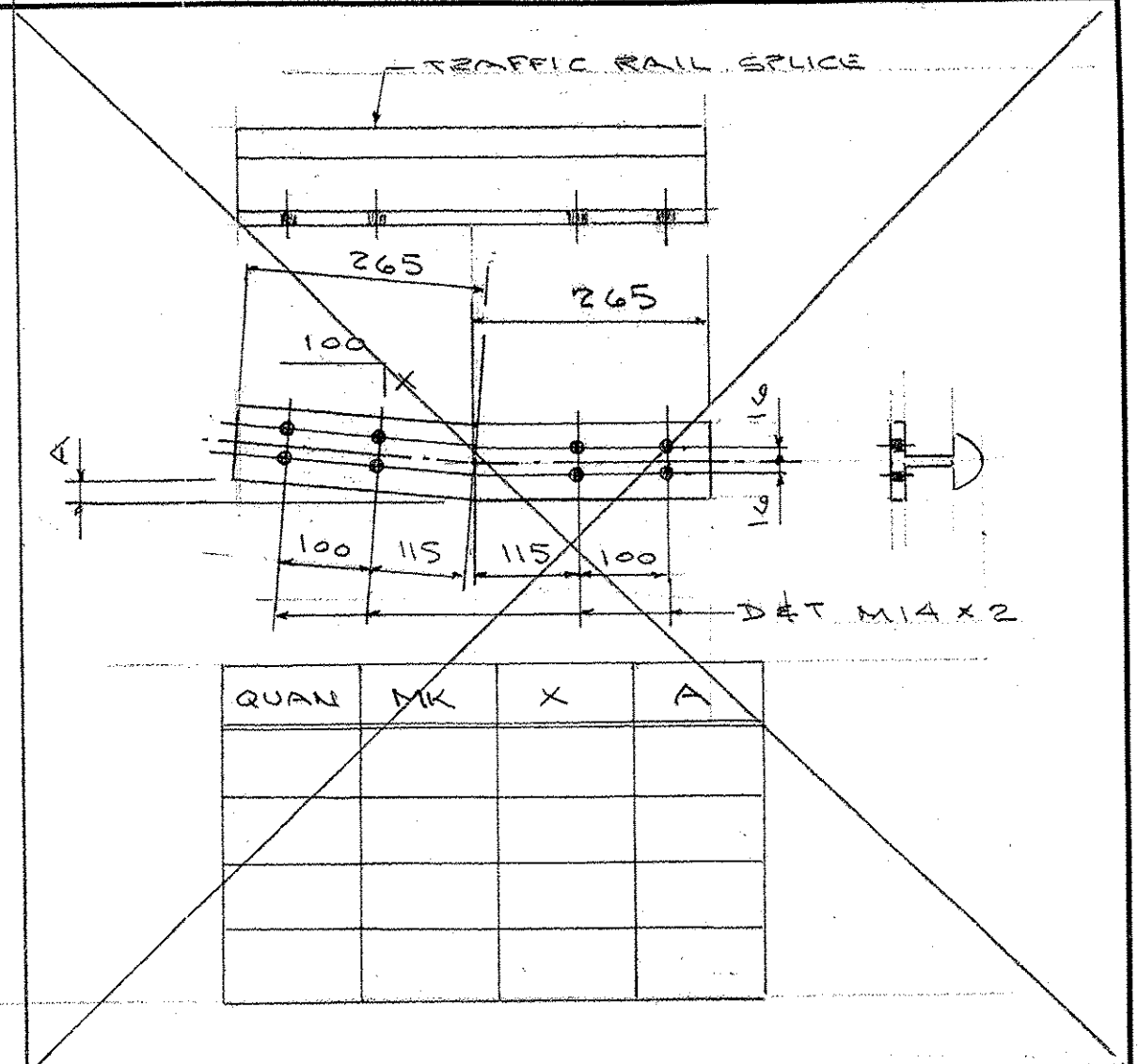
QUAN	MK	X	A
4	HS2	5.57	17



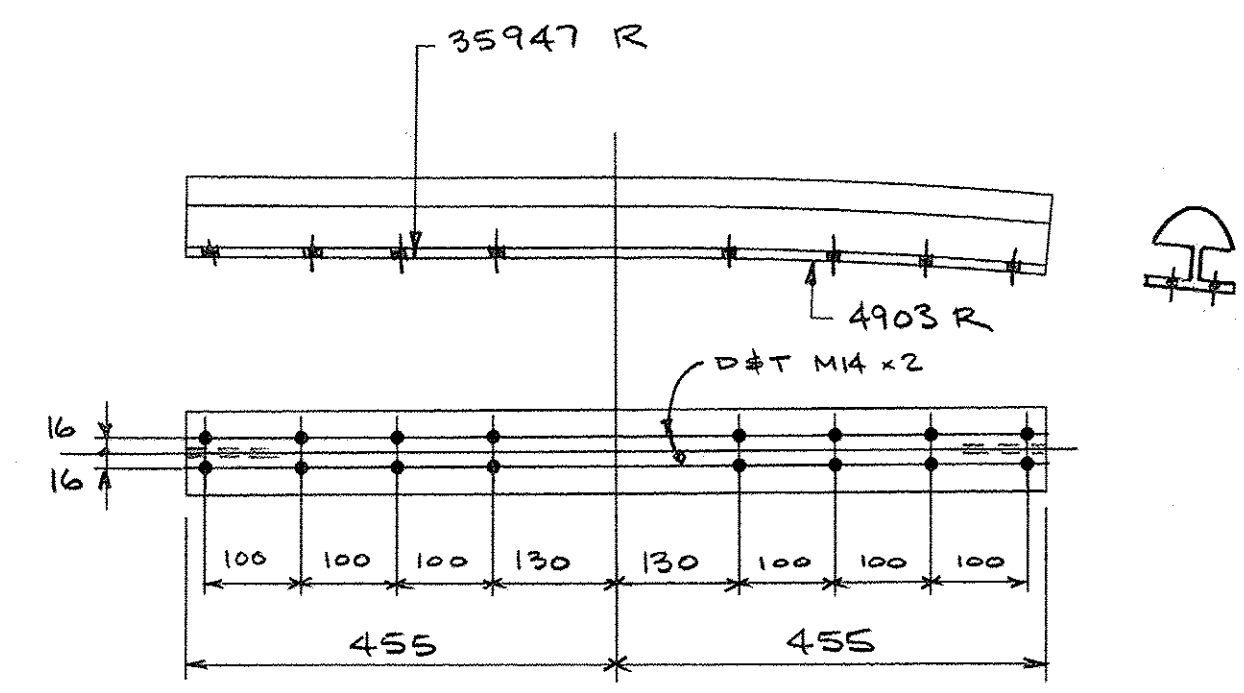
(12) SPlice TSI



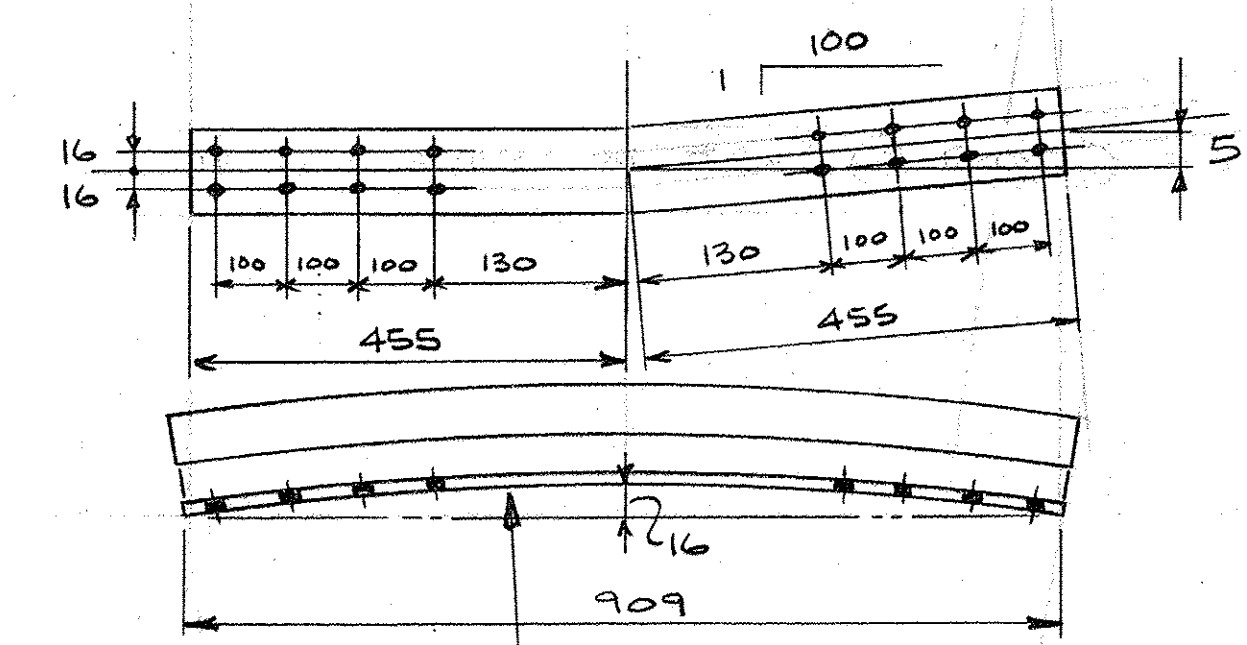
QUAN	MK	X	A
14	TS2	1	5



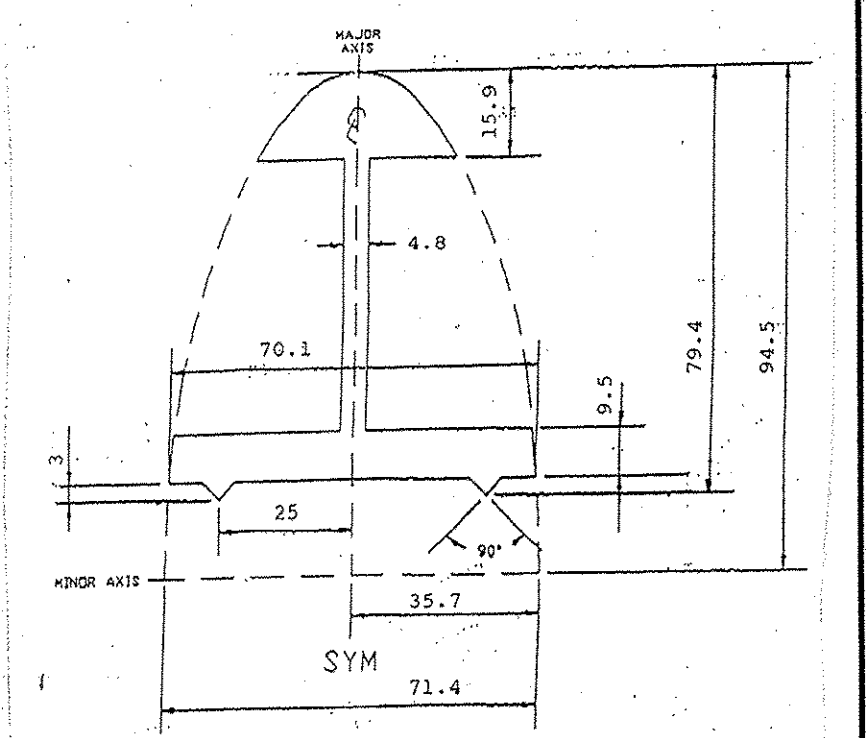
QUAN	MK	X	A



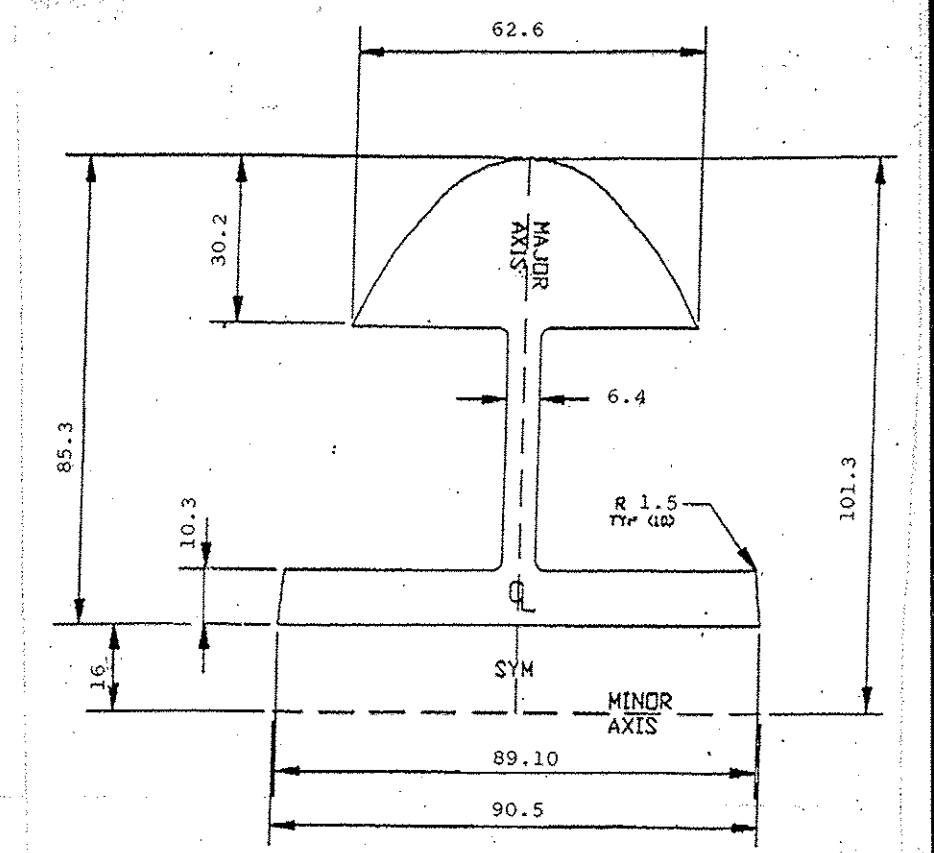
TRAFFIC SPlice "TS4" (2 REQ'D.)



TRAFFIC SPlice "TS5" (2 REQ'D.)



HANDRAIL SPlice EXTRUSION ALLOY 6061-T6



TRAFFIC RAIL SPlice EXTRUSION ALLOY 6061-T6

RECEIVED
 CRK:SPY D&P:GMS
 APR 02 2010
 RESUBMIT APPROVED
 BY *aw* DATE 4/20/10

DIM'S ARE GIVEN IN MILLIMETERS

AUCIELLO IRON WORKS INC
 560 MAIN ST. HUDSON, MA (978) 568-8382

V.T. AGENCY OF TRANSPORTATION
 BRATTLEBORO
 #BRF 2000 (21)S
 BRIDGE # 30
 T.H. 10 OVER WHETSTONE BROOK

AL. BRIDGE & APPROACH RAILING

SURFACE PREP: NONE FINISH: BLACK ANODIZE

FOR: F.R. LAFAYETTE, INC.

DR: *FR* 2-13-2010 DWG. NO.

CHK: *FR* 4/5/10 JOB NO. BR-2978

ISSUE	DATE	DESCRIPTION	BY
1	4/5/10	FOR APPROVAL	<i>FR</i>

AB07025-1001 SHEET F4 OF 5