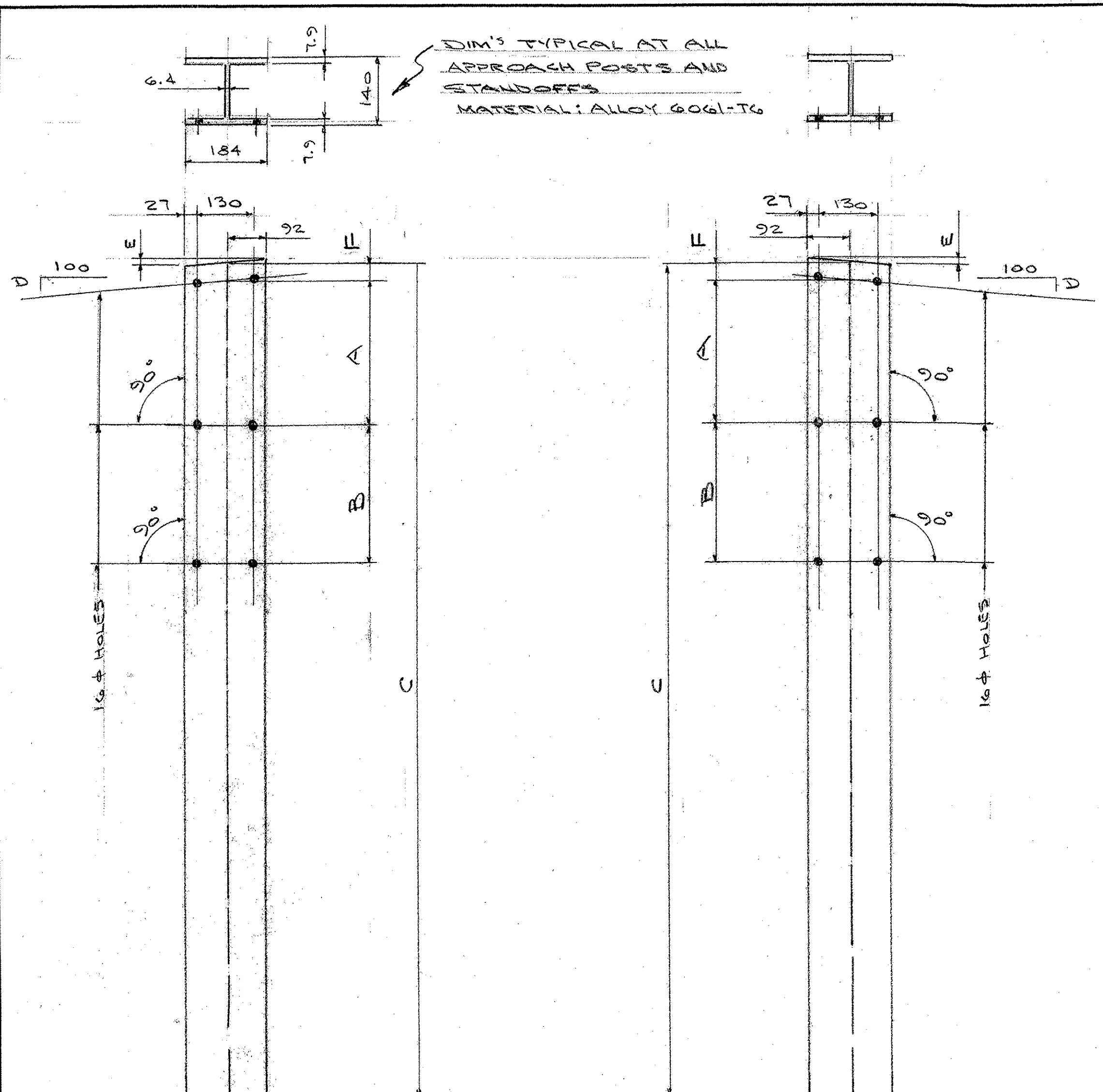


DIM'S TYPICAL AT ALL APPROACH POSTS AND STANDOFFS  
MATERIAL: ALLOY 6061-T6

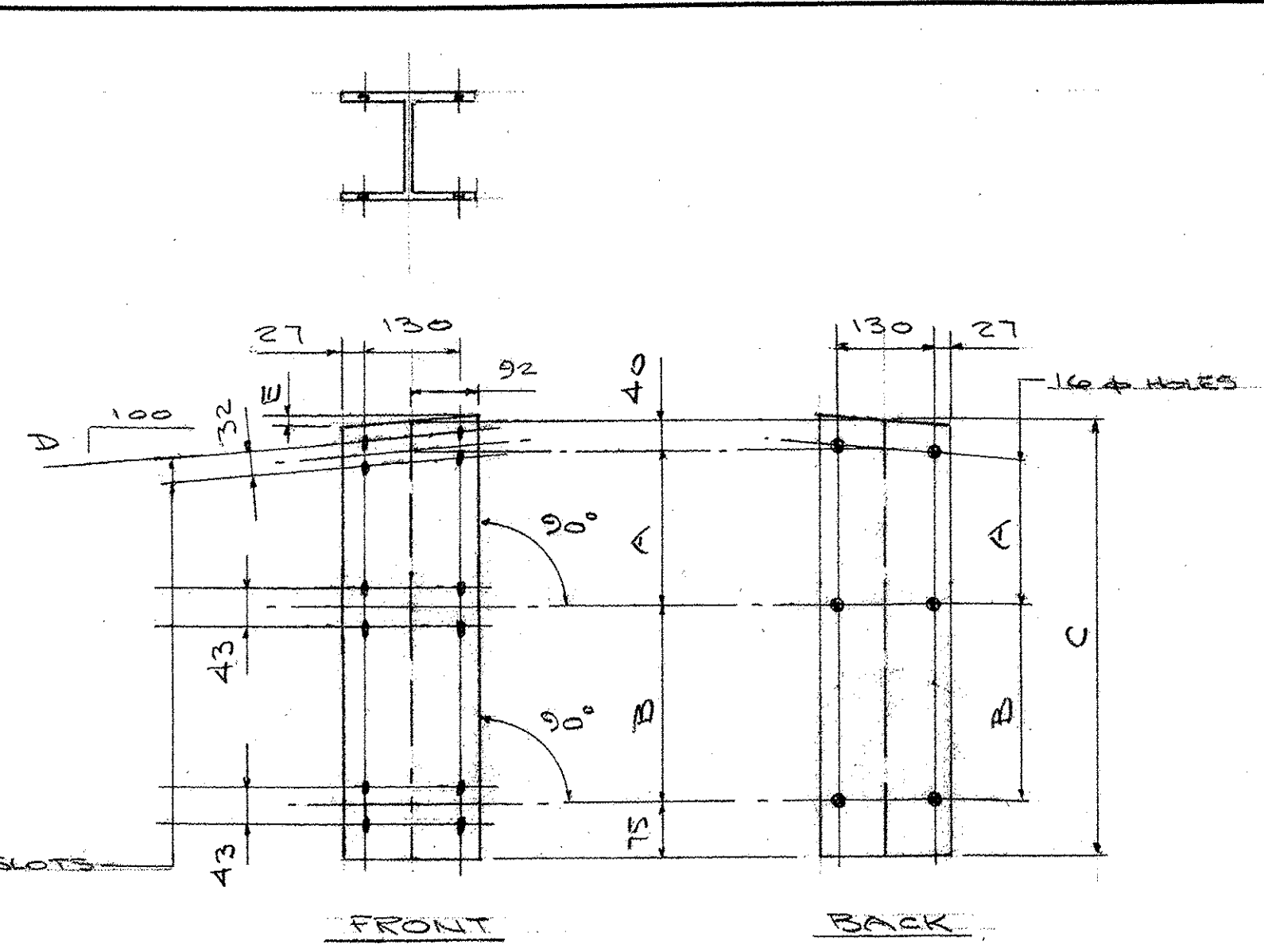


APPROACH POSTS

| QUAN | MK  | A   | B   | C    | D | E  | F  |
|------|-----|-----|-----|------|---|----|----|
| 2    | A1L | 292 | 329 | 1980 | 5 | 10 | 40 |
| 2    | A2L | 249 | 328 | 1980 | 5 | 10 | 40 |
| 2    | A3L | 205 | 326 | 1980 | 5 | 10 | 40 |
| 2    | A4L | 162 | 325 | 1980 | 5 | 10 | 40 |
| 2    | A5L | Ø   | 323 | 1830 | 1 | 2  | 51 |
| 2    | A6L | Ø   | 321 | 1830 | 1 | 2  | 51 |
| 2    | A7L | Ø   | 319 | 1830 | 1 | 2  | 51 |
| 20   | AB  | Ø   | 319 | 1830 | Ø | Ø  | 51 |

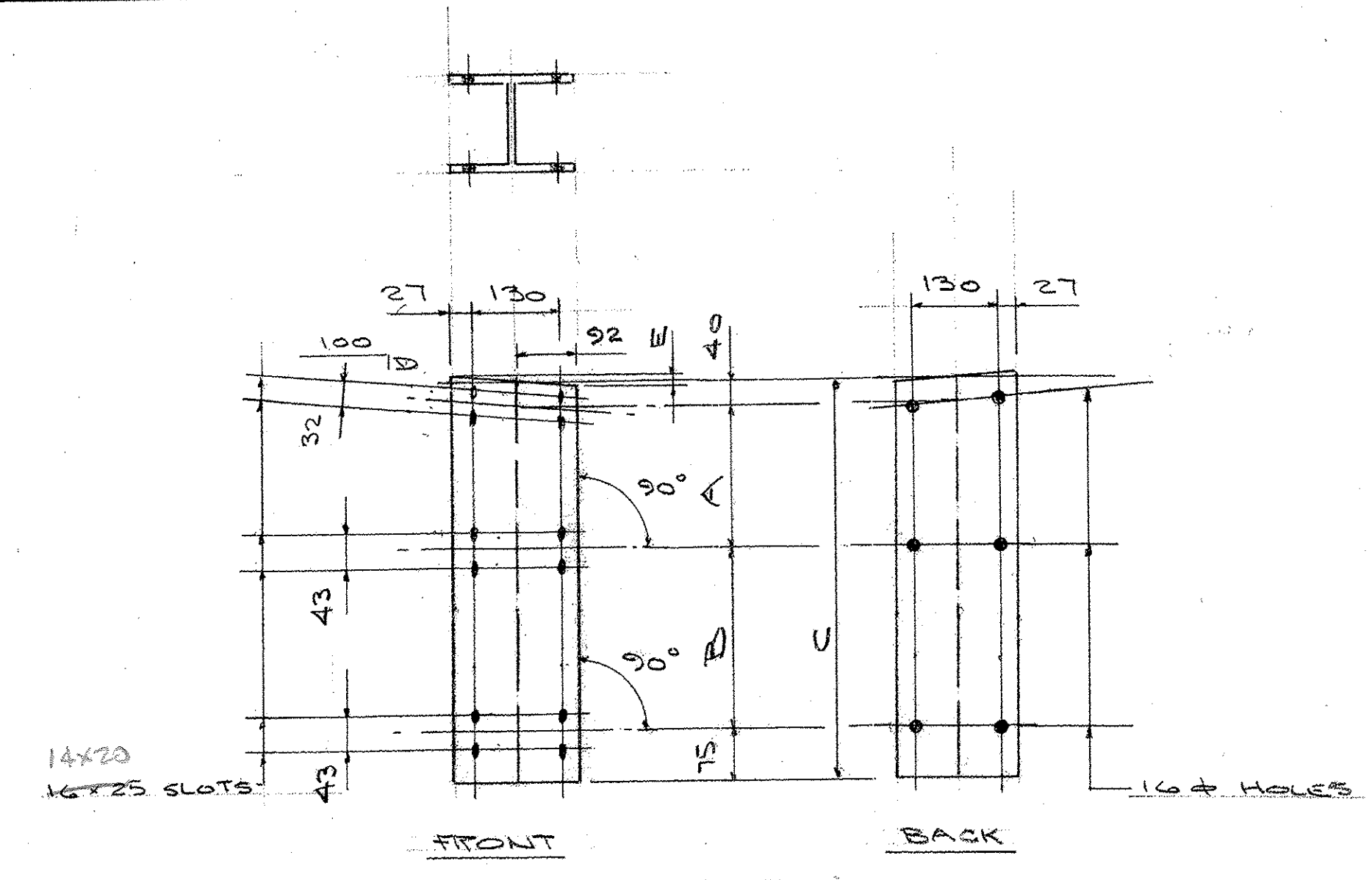
APPROACH POSTS

| QUAN | MK  | A   | B   | C    | D | E  | F  |
|------|-----|-----|-----|------|---|----|----|
| 2    | A1R | 292 | 329 | 1980 | 5 | 10 | 40 |
| 2    | A2R | 249 | 328 | 1980 | 5 | 10 | 40 |
| 2    | A3R | 205 | 326 | 1980 | 5 | 10 | 40 |
| 2    | A4R | 162 | 325 | 1980 | 5 | 10 | 40 |
| 2    | A5R | Ø   | 323 | 1830 | 1 | 2  | 51 |
| 2    | A6R | Ø   | 321 | 1830 | 1 | 2  | 51 |
| 2    | A7R | Ø   | 319 | 1830 | 1 | 2  | 51 |



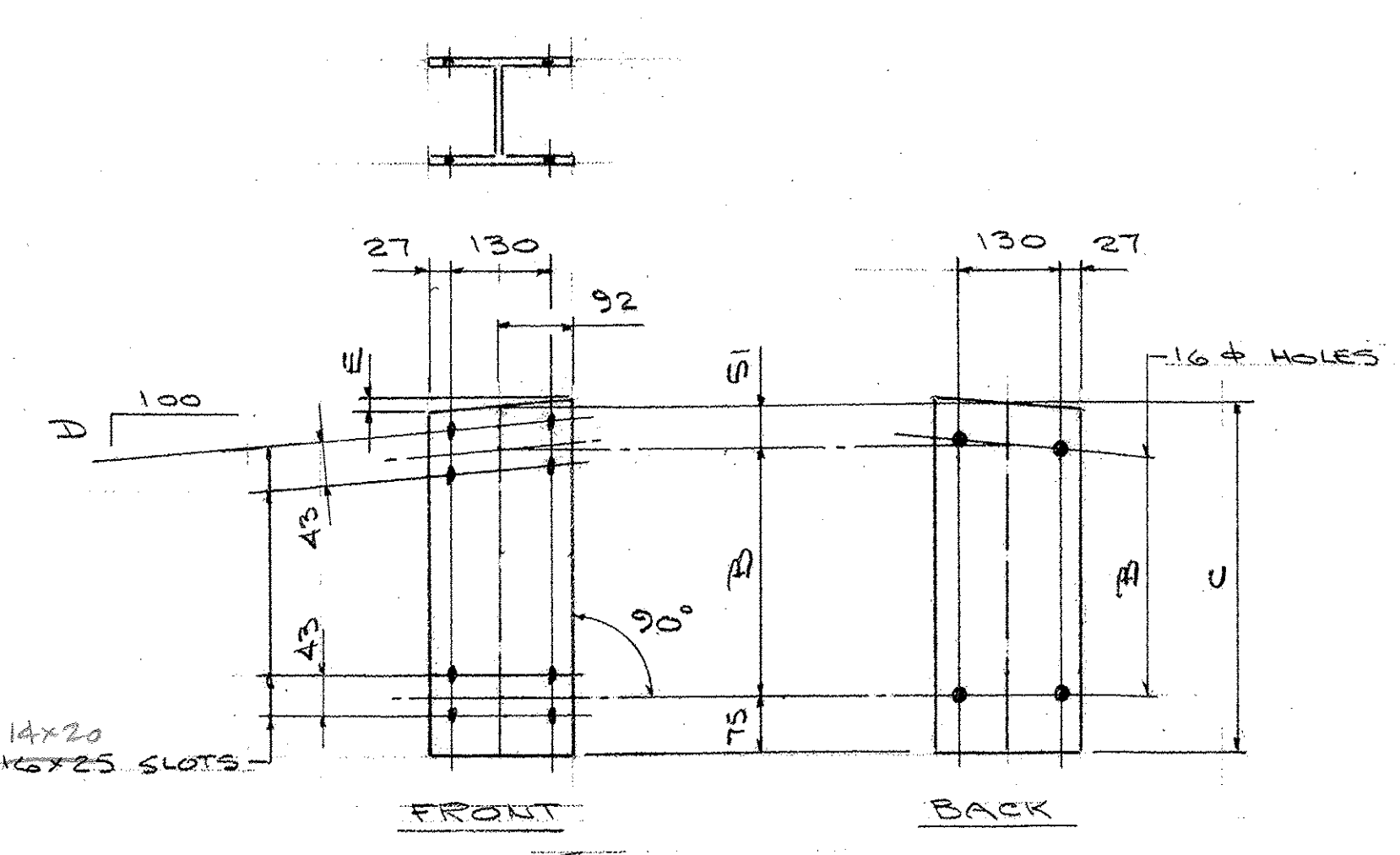
STANDOFFS

| QUAN | MK   | A   | B   | C   | D | E  |
|------|------|-----|-----|-----|---|----|
| 2    | SA1L | 292 | 329 | 736 | 5 | 10 |
| 2    | SA2L | 249 | 328 | 692 | 5 | 10 |
| 2    | SA3L | 205 | 326 | 646 | 5 | 10 |
| 2    | SA4L | 162 | 325 | 602 | 5 | 10 |



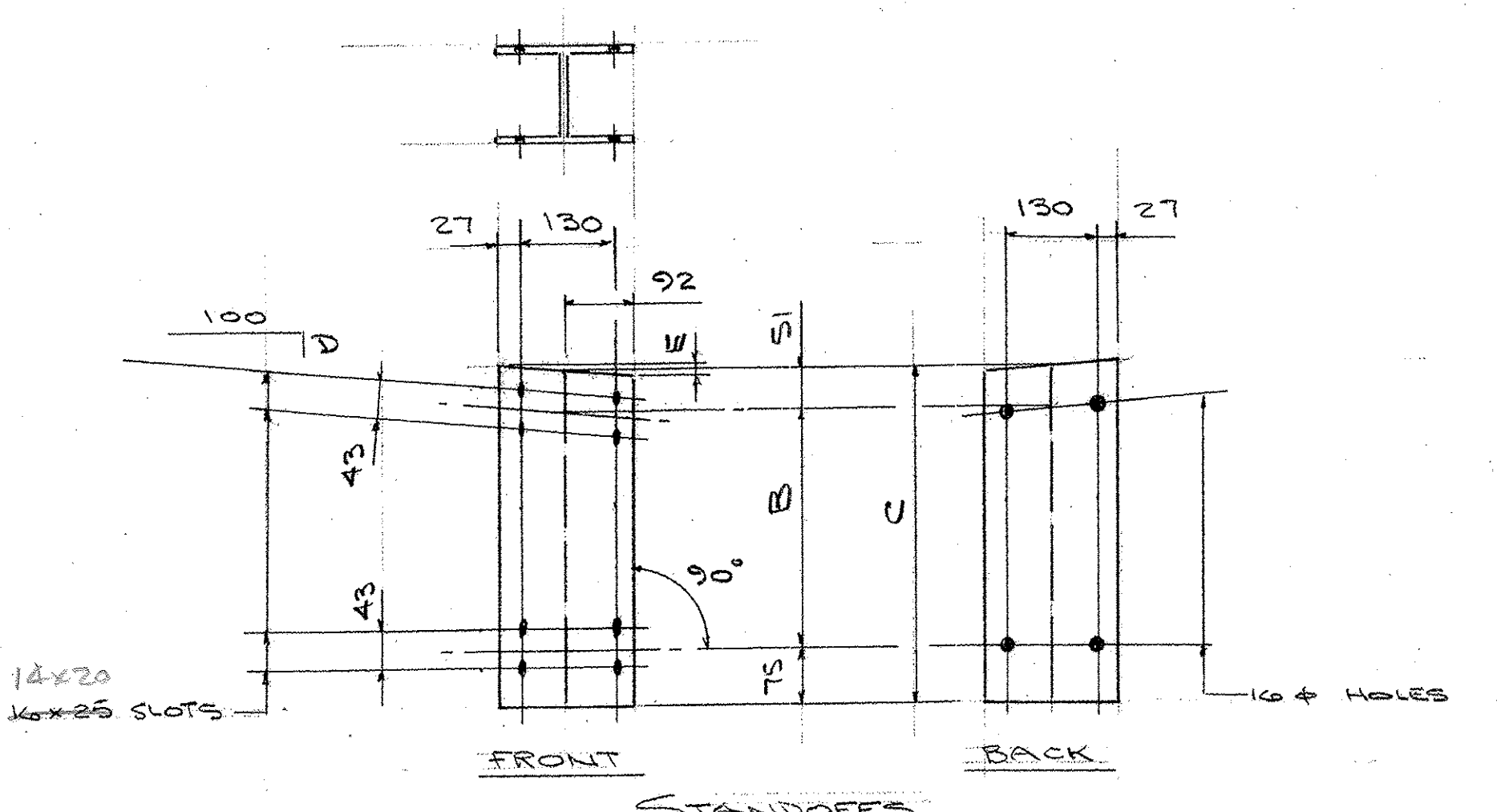
STANDOFFS

| QUAN | MK   | A   | B   | C   | D | E  |
|------|------|-----|-----|-----|---|----|
| 2    | SA1R | 292 | 329 | 736 | 5 | 10 |
| 2    | SA2R | 249 | 328 | 692 | 5 | 10 |
| 2    | SA3R | 205 | 326 | 646 | 5 | 10 |
| 2    | SA4R | 162 | 325 | 602 | 5 | 10 |



STANDOFFS

| QUAN | MK   | B   | C   | D | E |
|------|------|-----|-----|---|---|
| 2    | SASL | 323 | 449 | 1 | 2 |
| 2    | SAGL | 321 | 447 | 1 | 2 |
| 2    | SATL | 319 | 445 | 1 | 2 |
| 20   | SAB  | 319 | 445 | - | - |



STANDOFFS

| QUAN | MK   | B   | C   | D | E |
|------|------|-----|-----|---|---|
| 2    | SASR | 323 | 449 | 1 | 2 |
| 2    | SAGR | 321 | 447 | 1 | 2 |
| 2    | SATR | 319 | 445 | 1 | 2 |

RECEIVED  
APR 02 2010  
RESUBMIT APPROVED AS NOTED  
DATE 4/20/10

DIM'S ARE GIVEN IN MILLIMETERS

|       |      |             |              |    |
|-------|------|-------------|--------------|----|
| 1     |      | 4/5/10      | FOR APPROVAL | BY |
| ISSUE | DATE | DESCRIPTION | BY           |    |

**AUCIELLO IRON WORKS INC**  
560 MAIN ST. HUDSON, MA (978) 568-8382

VT. AGENCY OF TRANSPORTATION  
BRATTLEBORO #BRF 2000(21)'S  
BRIDGE #30  
T.H. 10 OVER WHETSTONE BROOK

ALUM. APPROACH RAILING

SURFACE PREP: NONE FINISH: BLACK PWDZE

FOR: F.R. LAFAYETTE, INC  
DR. 2-13-2010 DWG. NO.  
CHK. 4/5/10 BR-297B  
JOB NO. AB07025-1002 SHEET FS OF 5