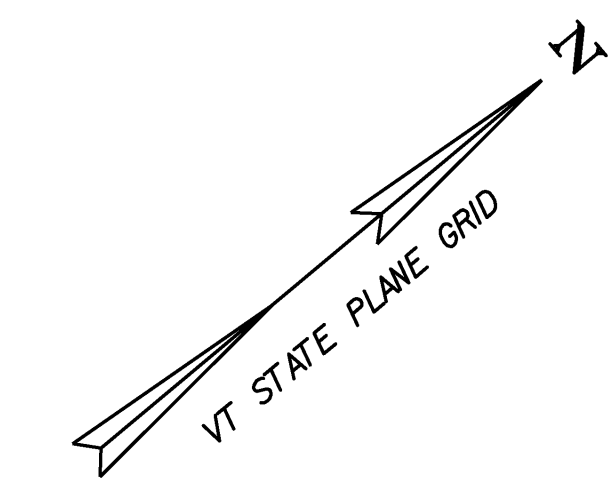
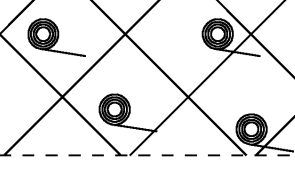
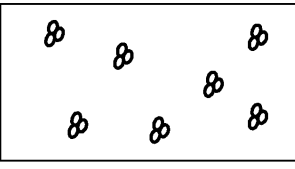
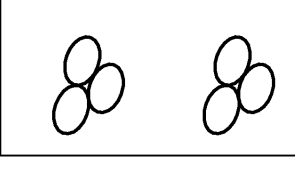


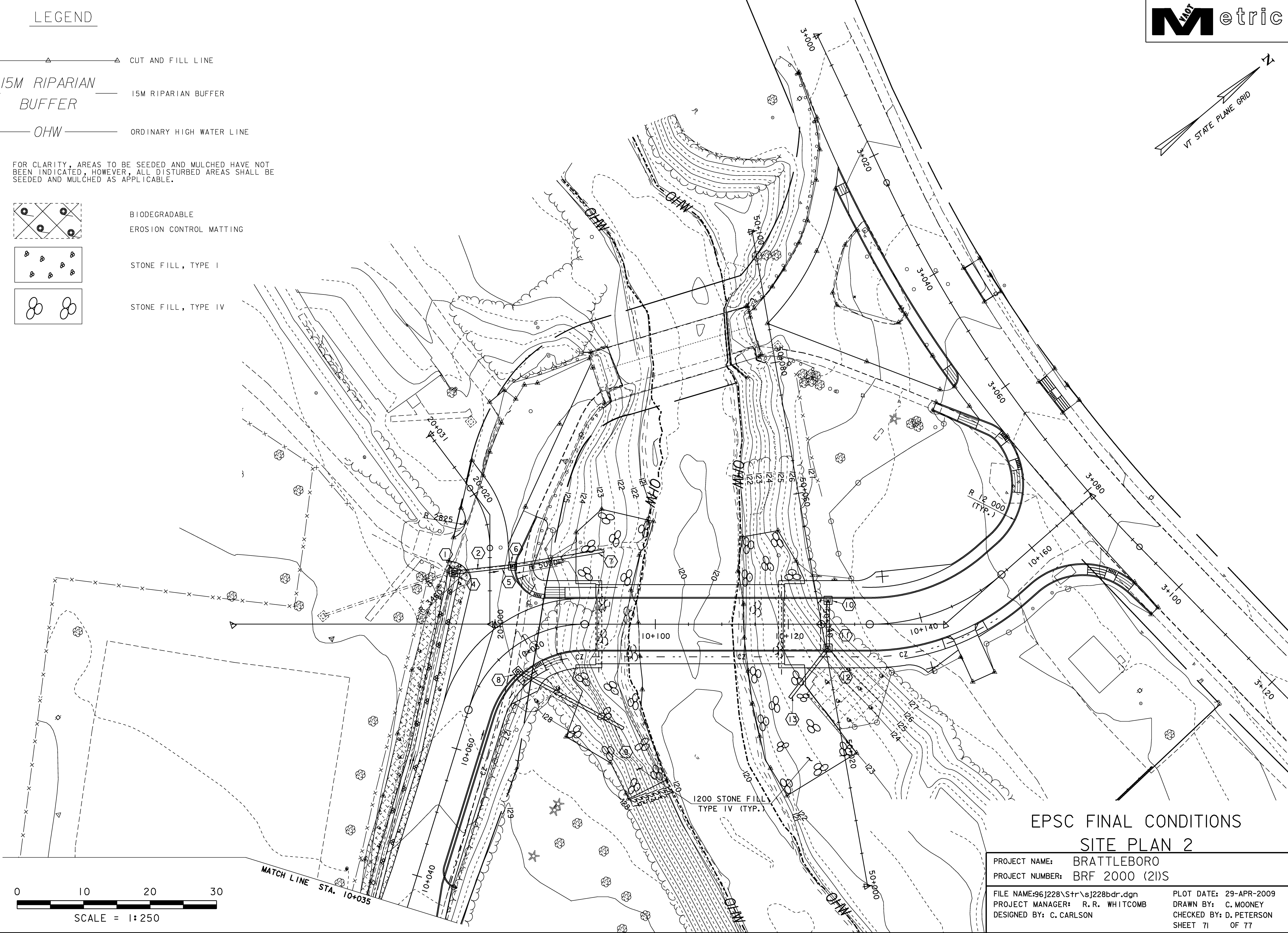
LEGEND



- △-----△ CUT AND FILL LINE
- 15M RIPARIAN BUFFER
- OHW ——— ORDINARY HIGH WATER LINE

FOR CLARITY, AREAS TO BE SEEDED AND MULCHED HAVE NOT BEEN INDICATED, HOWEVER, ALL DISTURBED AREAS SHALL BE SEEDED AND MULCHED AS APPLICABLE.

-  BIODEGRADABLE EROSION CONTROL MATTING
-  STONE FILL, TYPE I
-  STONE FILL, TYPE IV



EPSC FINAL CONDITIONS
SITE PLAN 2

PROJECT NAME:	BRATTLEBORO	PLOT DATE:	29-APR-2009
PROJECT NUMBER:	BRF 2000 (2)S	DRAWN BY:	C. MOONEY
FILE NAME:	96J228\Str\sj228bdr.dgn	CHECKED BY:	D. PETERSON
DESIGNED BY:	C. CARLSON	SHEET	71 OF 77