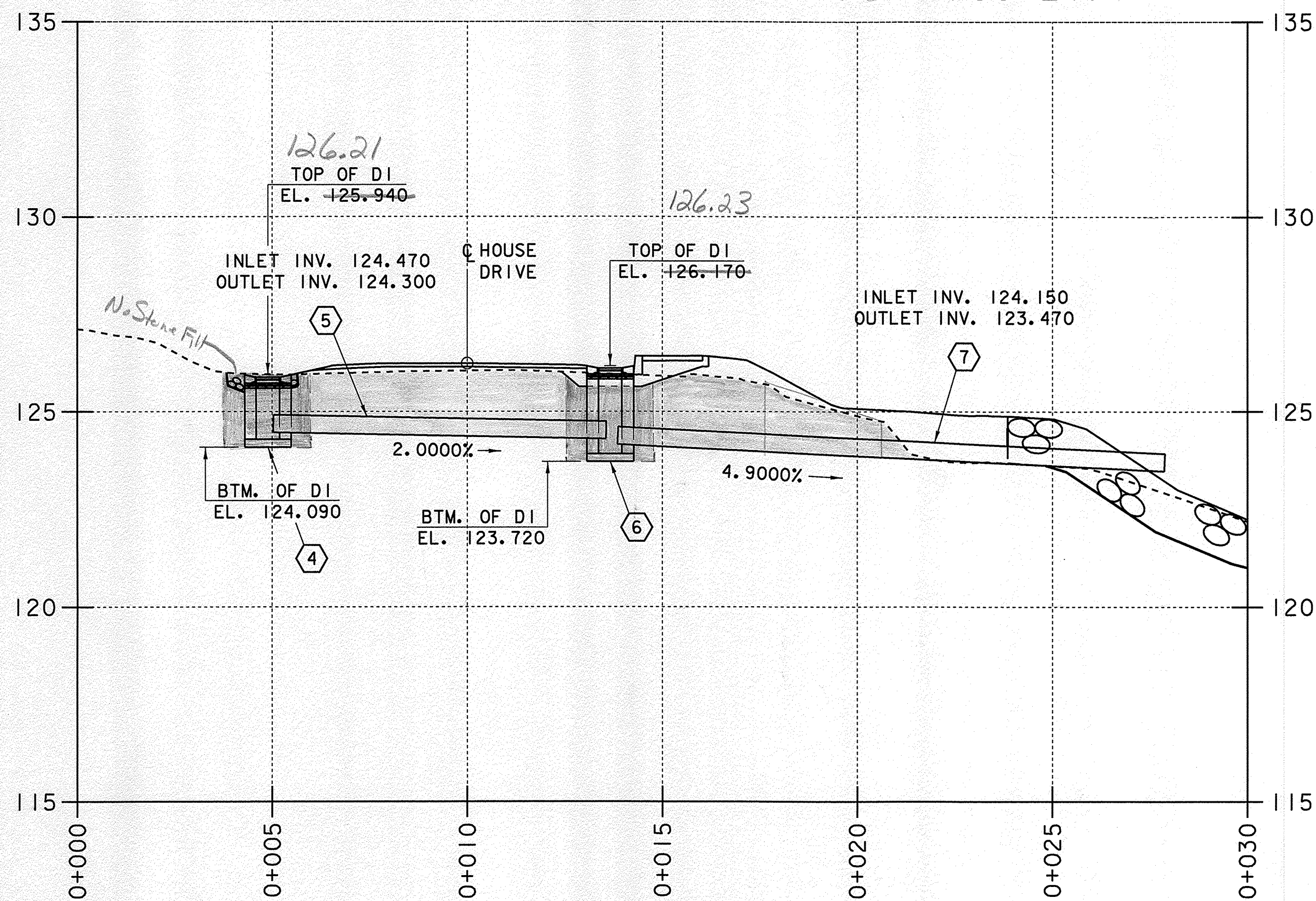


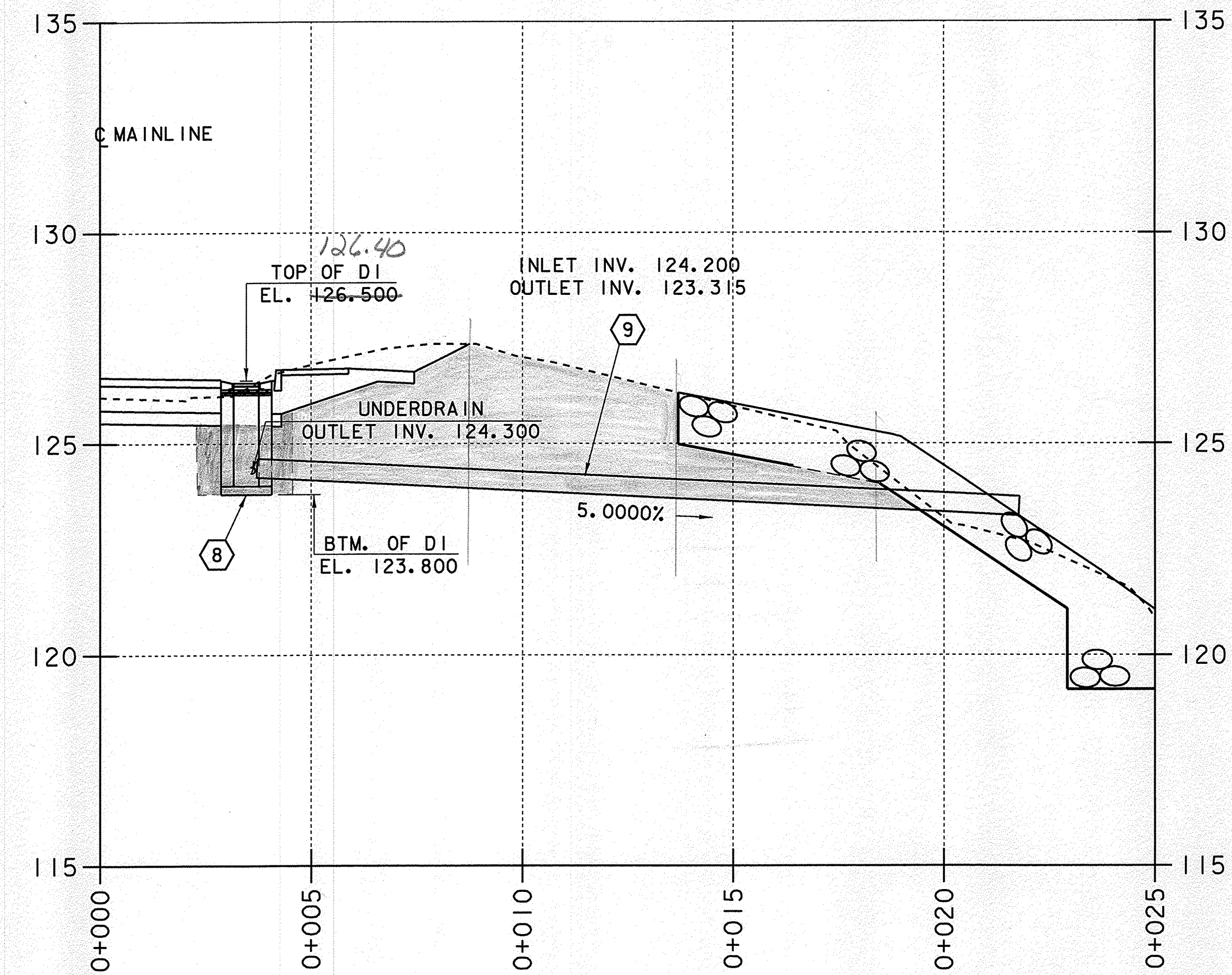
Brattleboro BR F 2000(2)S  
 -drainage sheet 1-



DRAINAGE PIPE PROFILE  
 STA. 10+075.08 LT. - STA. 10+094.38 LT.



DRAINAGE PIPE PROFILE  
 STA. 10+074.80 CL. - STA. 10+098.31 RT.



Trench Earth:

D1 left	Culvert	D1	Culvert
D x W x H		D x W x H	
2.3 x 2.3 x 1.85 (ave)	$(\frac{1.5 + 1.7}{2}) \times 6.4 \times 1.46$	2.3 x 2.3 x 2.0 (ave)	$(\frac{1.7 + 0.9}{2}) \times 3 \times 1.46 + (\frac{6.9 + 0}{2}) \times 1 \times 1.46$
= 9.79'cm	= 14.95'cm		= 10.58'cm
			= 13.30'cm

Total TE:  
 9.79'  
 10.58'  
 14.95'  
 13.30'  
 ---  
 48.62'cm  
 for 3-24-11  
 M.W.H. 12/11/12

Trench Earth:

D1  
 2.3 x 2.3 x 1.7 (ave)  
 = 8.99'cm

Culvert:  
 $(\frac{1.6 + 3.3}{2}) + (\frac{3.3 + 2.5}{2}) + (\frac{0.9}{2}) + (\frac{0.6 + 0}{2})$   
 = 6.55 x 1.46  
 = 9.56'cm

Total TE 8.99'  
 9.56'  
 18.55'cm for 3-24-11  
 M.W.H. 12/11/12  
 SEE DRAINAGE DETAIL SHEET 8  
 FOR DRAINAGE PIPE INFORMATION

DRAINAGE PIPE PROFILES (I)

PROJECT NAME:	BRATTLEBORO
PROJECT NUMBER:	BRF 2000 (2)S
FILE NAME:	96J228/str/sj228xsl.dgn
PROJECT MANAGER:	R.R. WHITCOMB
DESIGNED BY:	J. PERRIGO
PLOT DATE:	29-APR-2009
DRAWN BY:	str3
CHECKED BY:	D. BONNEAU
SHEET	52 OF 77

