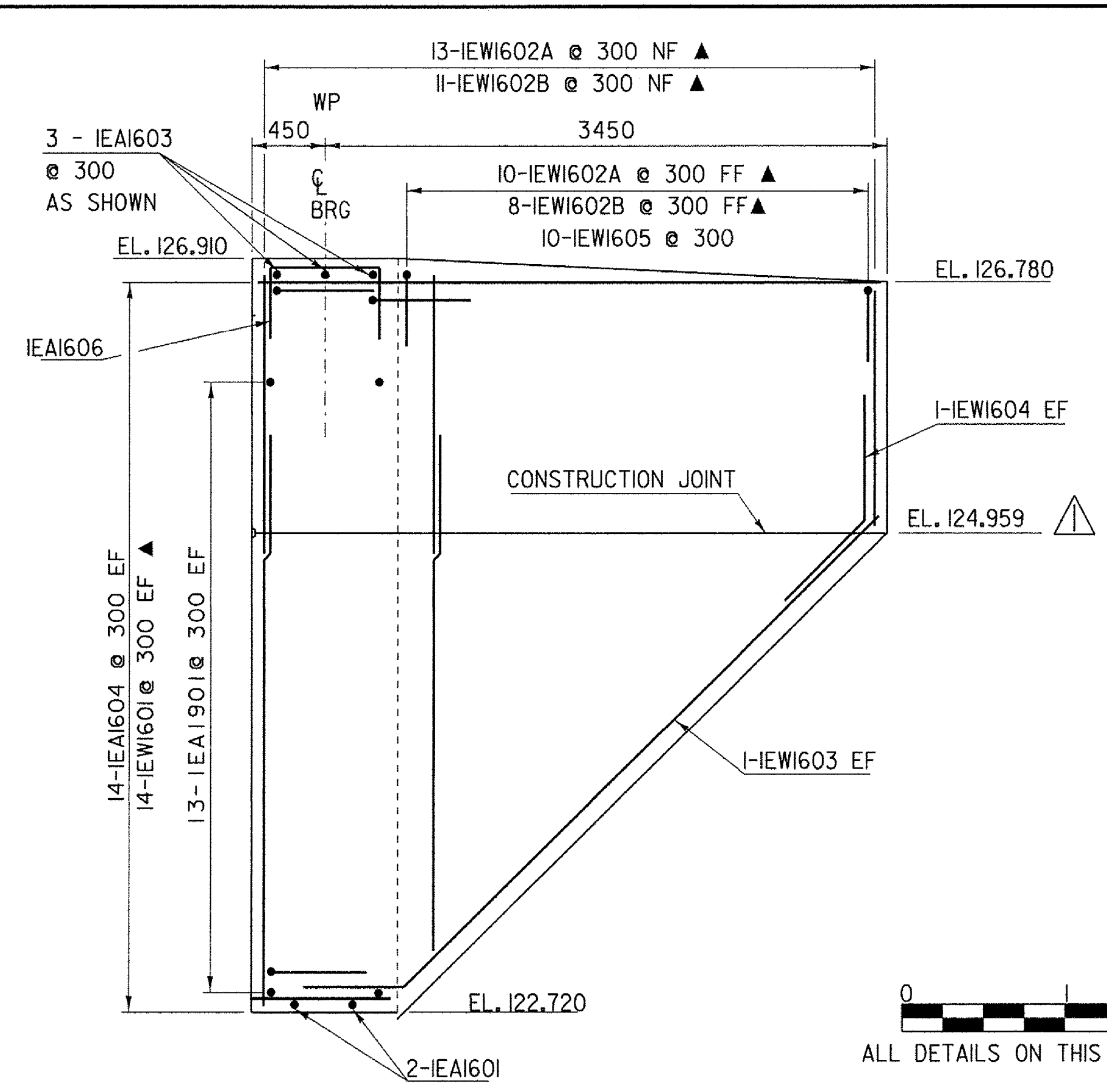
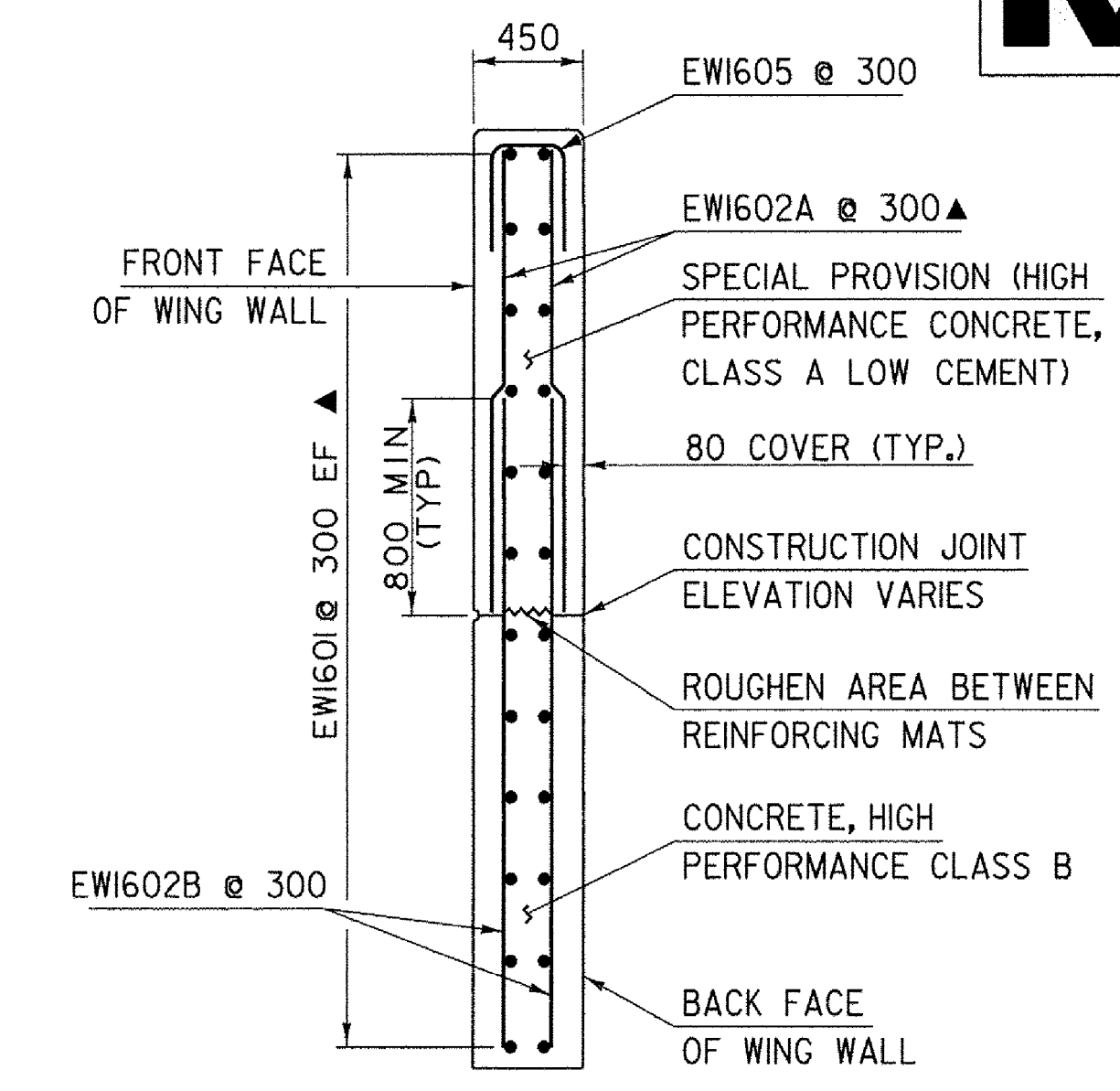


WINGWALL NO. 2 ELEVATION

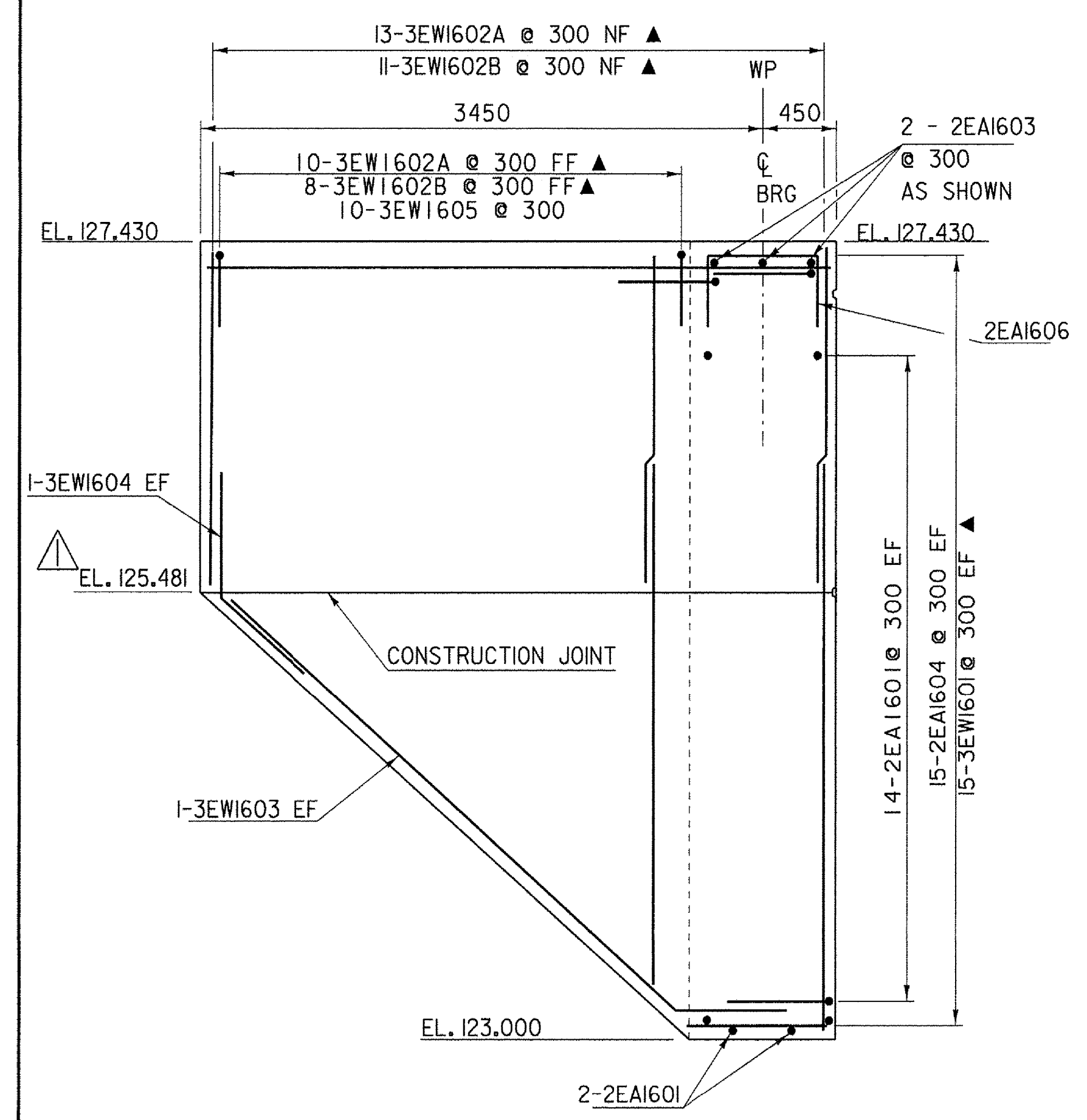


WINGWALL NO. 1 ELEVATION

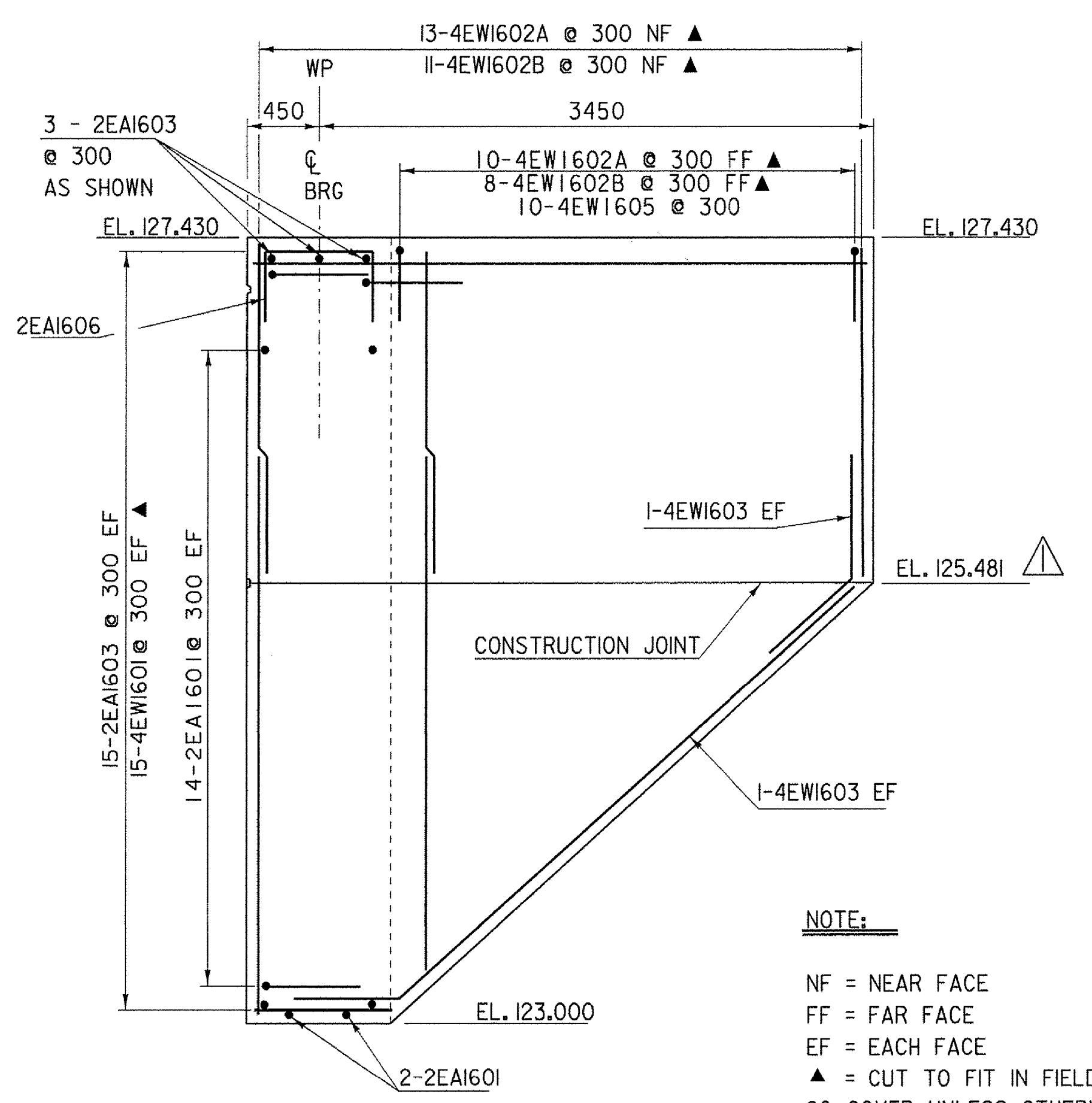


WINGWALL TYPICAL SECTION

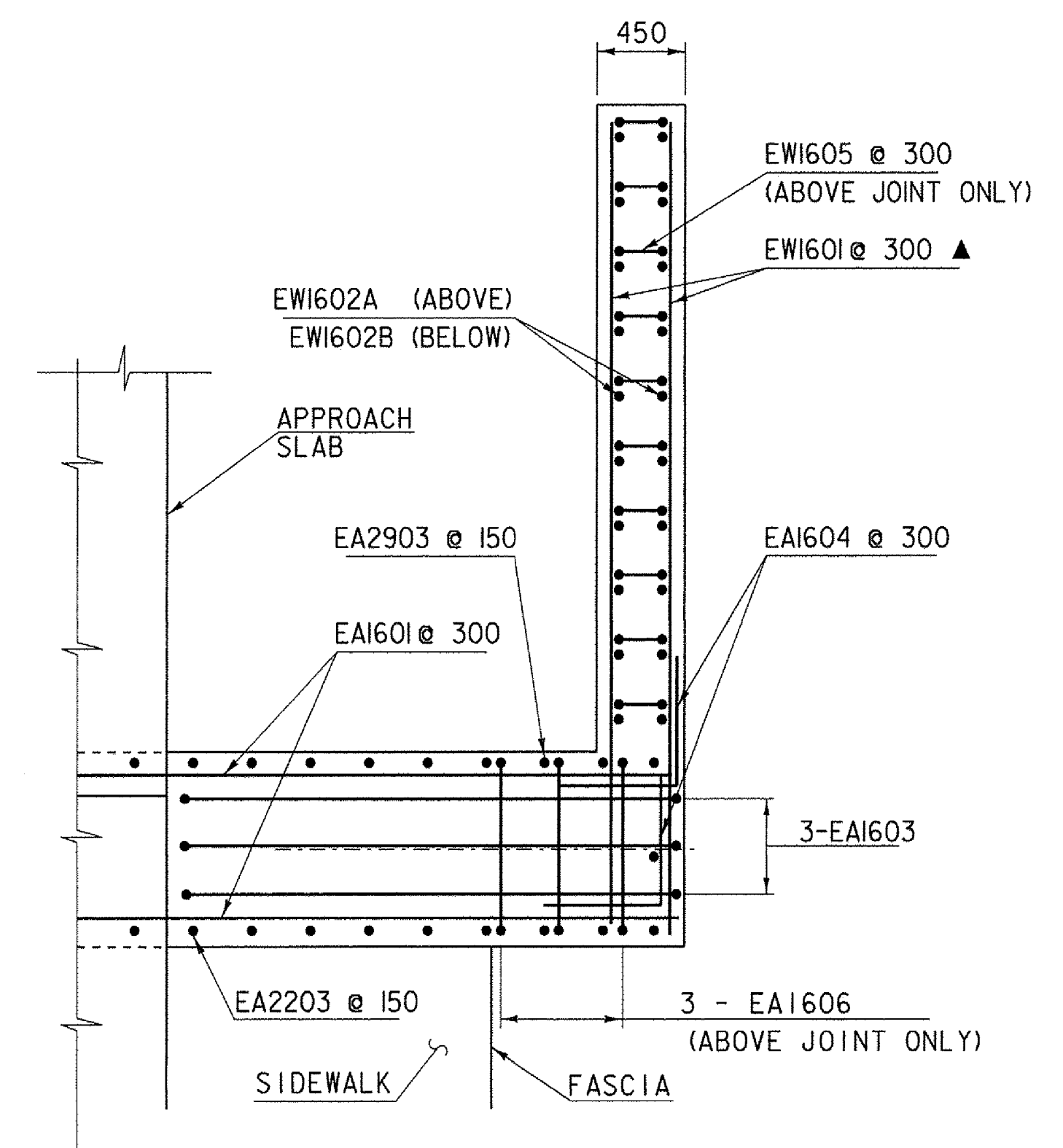
0 1 2 3
ALL DETAILS ON THIS SHEET ARE AT SCALE = 1:25



WINGWALL NO. 3 ELEVATION



WINGWALL NO. 4 ELEVATION



INTEGRAL U-WINGWALLS

NOTE:

NF = NEAR FACE
FF = FAR FACE
EF = EACH FACE
▲ = CUT TO FIT IN FIELD
80 COVER UNLESS OTHERWISE SPECIFIED ON THE PLANS.
660 MIN. LAP LENGTH UNLESS OTHERWISE SPECIFIED ON THE PLANS

REVISION	BY	DATE	DESCRIPTION
△	CWC	7-8-09	GIRDER SEAT ELEVATIONS CORRECTED

WINGWALL DETAILS

PROJECT NAME:	BRATTLEBORO	PROJECT NUMBER:	BRF 2000(2)IS
FILE NAME:	96J228/str/sj228sub.dgn	PROJECT LEADER:	R. WHITCOMB
DESIGNED BY:	C. CARLSON	CHECKED BY:	C. CARLSON
sj228ab2.i		PLOT DATE:	24-AUG-2009
		DRAWN BY:	str3
		CHECKED BY:	C. CARLSON
		SHEET	44 OF 77