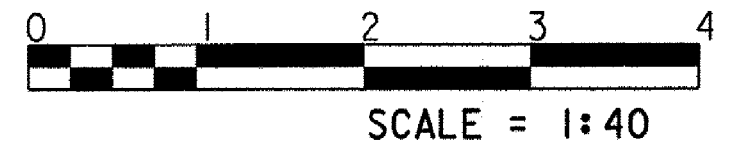
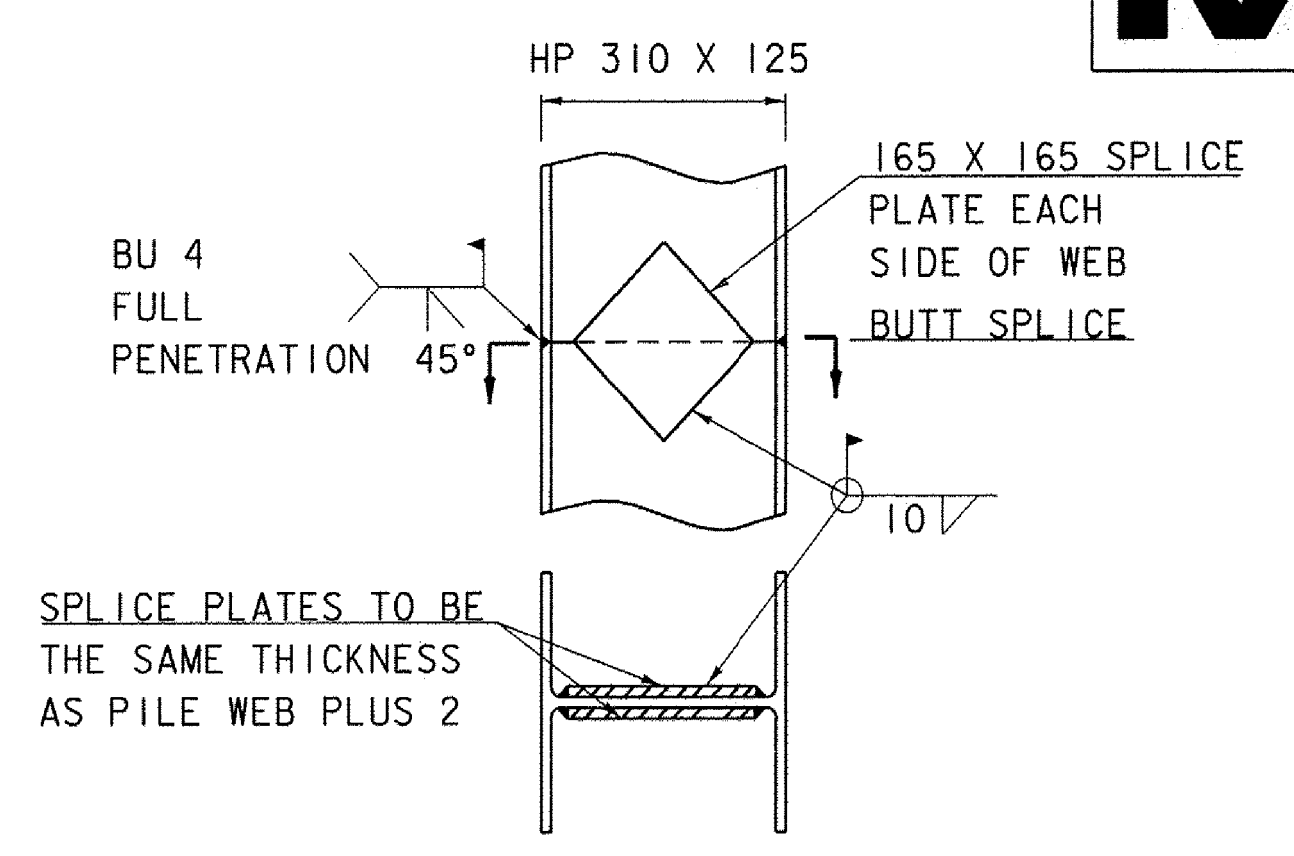


ABUTMENT NO. 2 PLAN



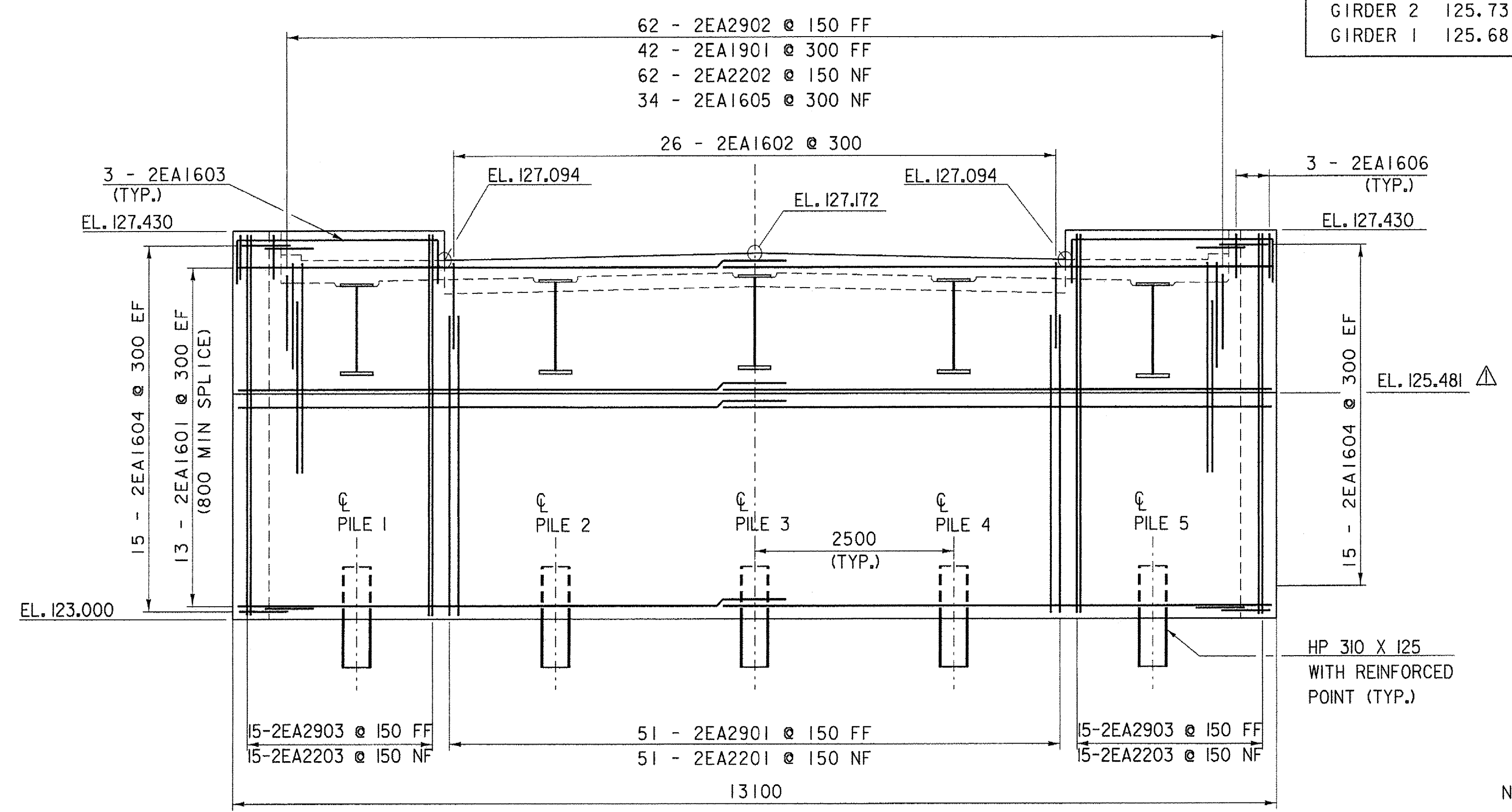
GIRDER SEAT ELEVATIONS TOP OF LEVELING PLATES	
GIRDER 5	125.681 ▲
GIRDER 4	125.731 ▲
GIRDER 3	125.781 ▲
GIRDER 2	125.731 ▲
GIRDER 1	125.681 ▲



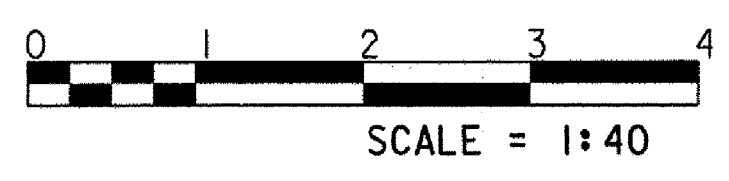
PILE SPLICE DETAIL  
NTS

NOTES

- 1.H - INDICATES LOCATION OF A VERTICAL PILE.
- 2.PILE SIZE: HP 310 X 125 (HP 12 X 84)
- 3.PILE STEEL: ASTM 572/A572M GR 345
- 4.WELD PROCEDURES TO BE APPROVED BY THE STRUCTURES ENGINEER PRIOR TO WELDING.



ABUTMENT NO. 2 PLAN



NOTE:

1. NF = NEAR FACE
2. FF = FAR FACE
3. EF = EACH FACE
4. ▲ = CUT TO FIT IN FIELD
5. 80 COVER UNLESS OTHERWISE SPECIFIED ON THE PLANS.
- 660 MIN. LAP LENGTH UNLESS OTHERWISE SPECIFIED ON THE PLANS
6. SEE SHEET 41 FOR ADDITIONAL ABUTMENT DETAILS

REVISION	BY	DATE	DESCRIPTION
△	CWC	7-8-09	GIRDER SEAT ELEVATIONS CORRECTED

ABUTMENT NO. 2 DETAILS

PROJECT NAME:	BRATTLEBORO	PLOT DATE:	24-AUG-2009
PROJECT NUMBER:	BRF 2000(2)S	DRAWN BY:	str3
FILE NAME:	96J228/str/sj228sub.dgn	CHECKED BY:	C. CARLSON
PROJECT LEADER:	R. WHITCOMB	SHEET	43 OF 77
DESIGNED BY:	C. CARLSON		