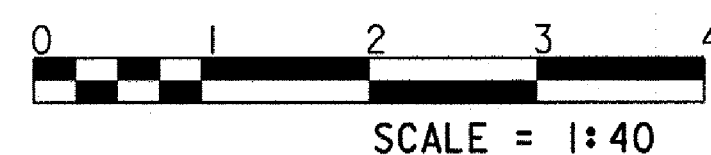
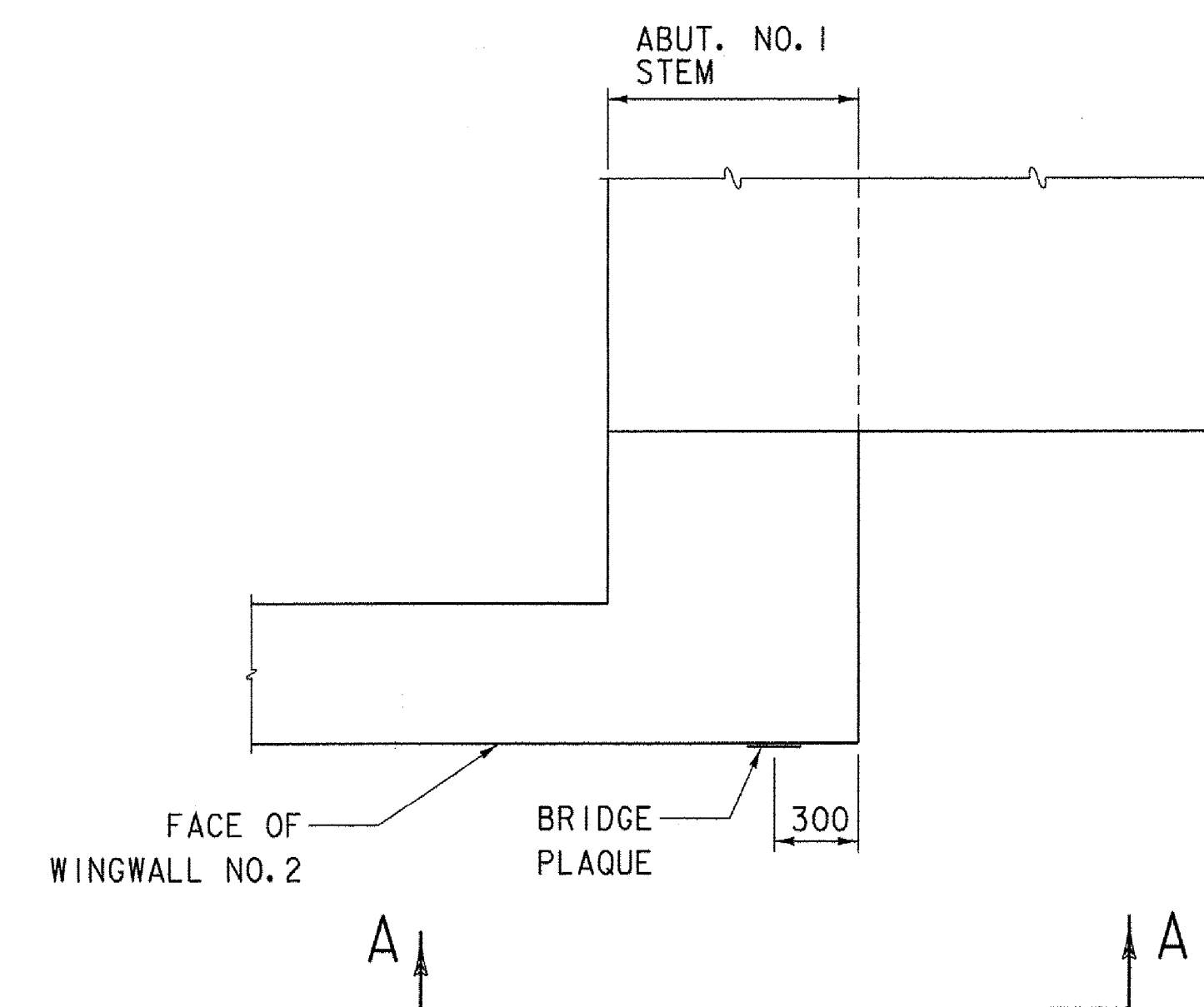


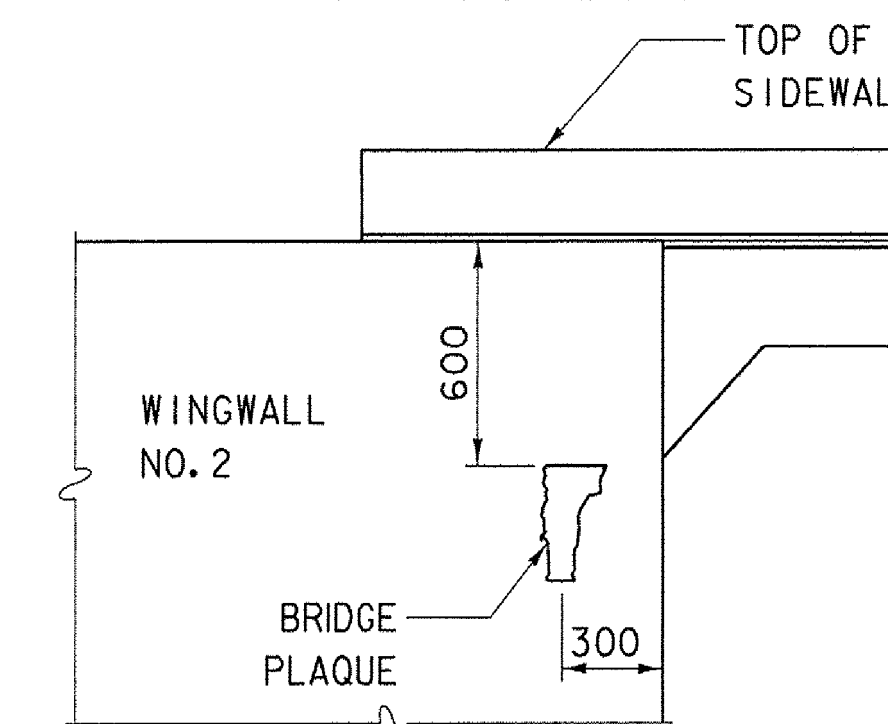
ABUTMENT NO. 1 PLAN



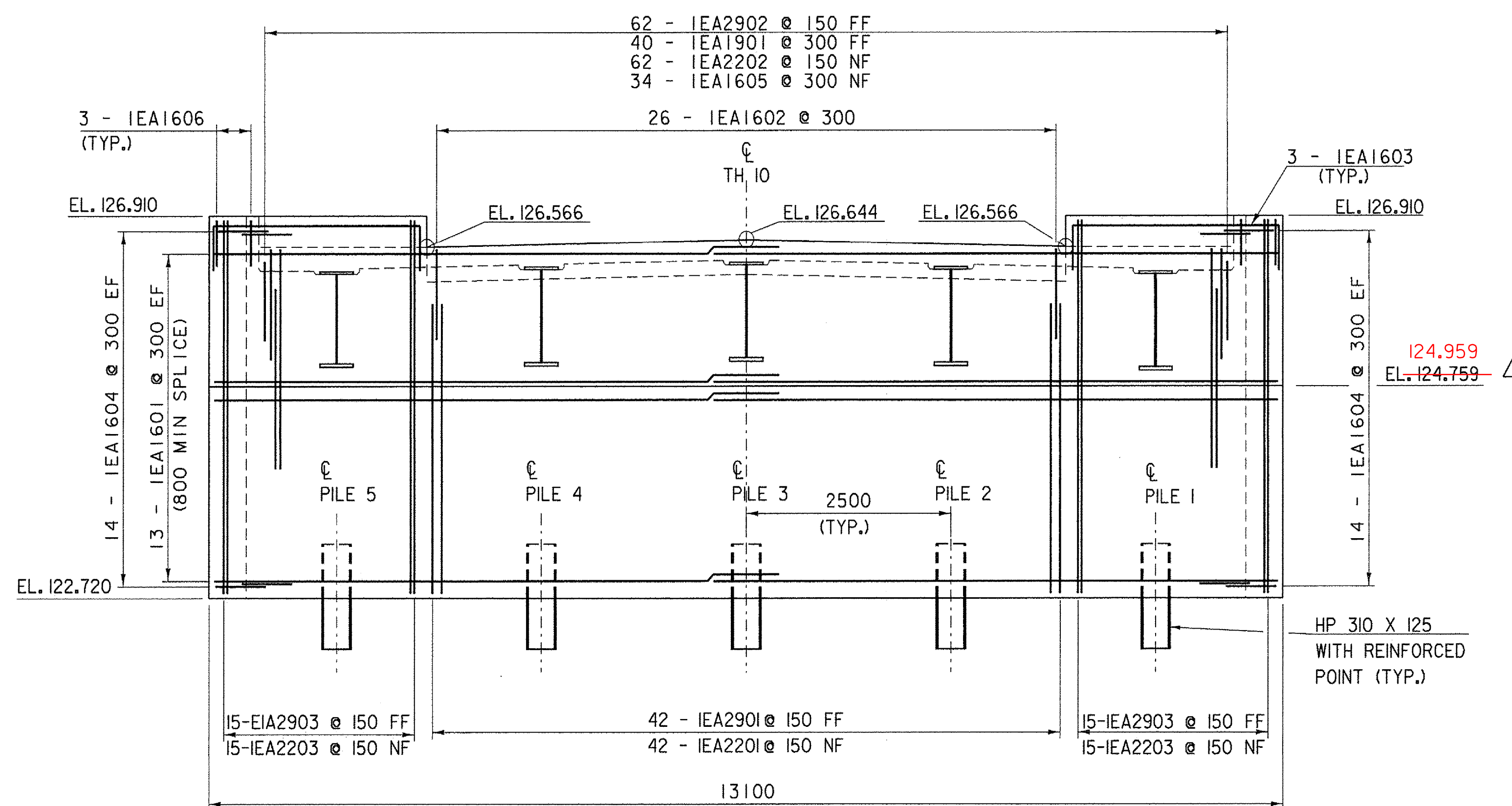
GIRDER SEAT ELEVATIONS TOP OF LEVELING PLATES		
GIRDER 5	124.158	▲
GIRDER 4	125.208	▲
GIRDER 3	125.258	▲
GIRDER 2	125.208	▲
GIRDER 1	124.158	▲



BRIDGE PLAQUE
PLAN
NOT TO SCALE



BRIDGE PLAQUE
VIEW "A-A"
NOT TO SCALE



ABUTMENT NO. 1 ELEVATION



BRIDGE PLAQUE NOTES

1. VTRANS WILL SUPPLY THE BRIDGE PLAQUE.
2. INSTALL THE PLAQUE AS SHOWN OR AS DIRECTED BY THE ENGINEER.
3. INCLUDE COST FOR INSTALLATION OF PLAQUE IN ITEM 900.608 SPECIAL PROVISION (HIGH PERFORMANCE CONCRETE, CLASS A LOW CEMENT).

NOTE:

1. NF = NEAR FACE
2. FF = FAR FACE
3. EF = EACH FACE
4. ▲ = CUT TO FIT IN FIELD
5. 80 COVER UNLESS OTHERWISE SPECIFIED ON THE PLANS.
660 MIN. LAP LENGTH UNLESS OTHERWISE SPECIFIED ON THE PLANS
6. SEE SHEET 41 FOR ADDITIONAL ABUTMENT DETAILS

REVISION	BY	DATE	DESCRIPTION
▲	CWC	7-8-09	GIRDER SEAT ELEVATIONS CORRECTED

ABUTMENT NO. 1 DETAILS

PROJECT NAME:	BRATTLEBORO	PLOT DATE:	24-AUG-2009
PROJECT NUMBER:	BRF 2000(2)S	DRAWN BY:	str3
FILE NAME:	96J228/str/sj228sub.dgn	DESIGNED BY:	C. CARLSON
PROJECT LEADER:	R. WHITCOMB	CHECKED BY:	C. CARLSON
DESIGNED BY:	C. CARLSON	SHEET	42 OF 77