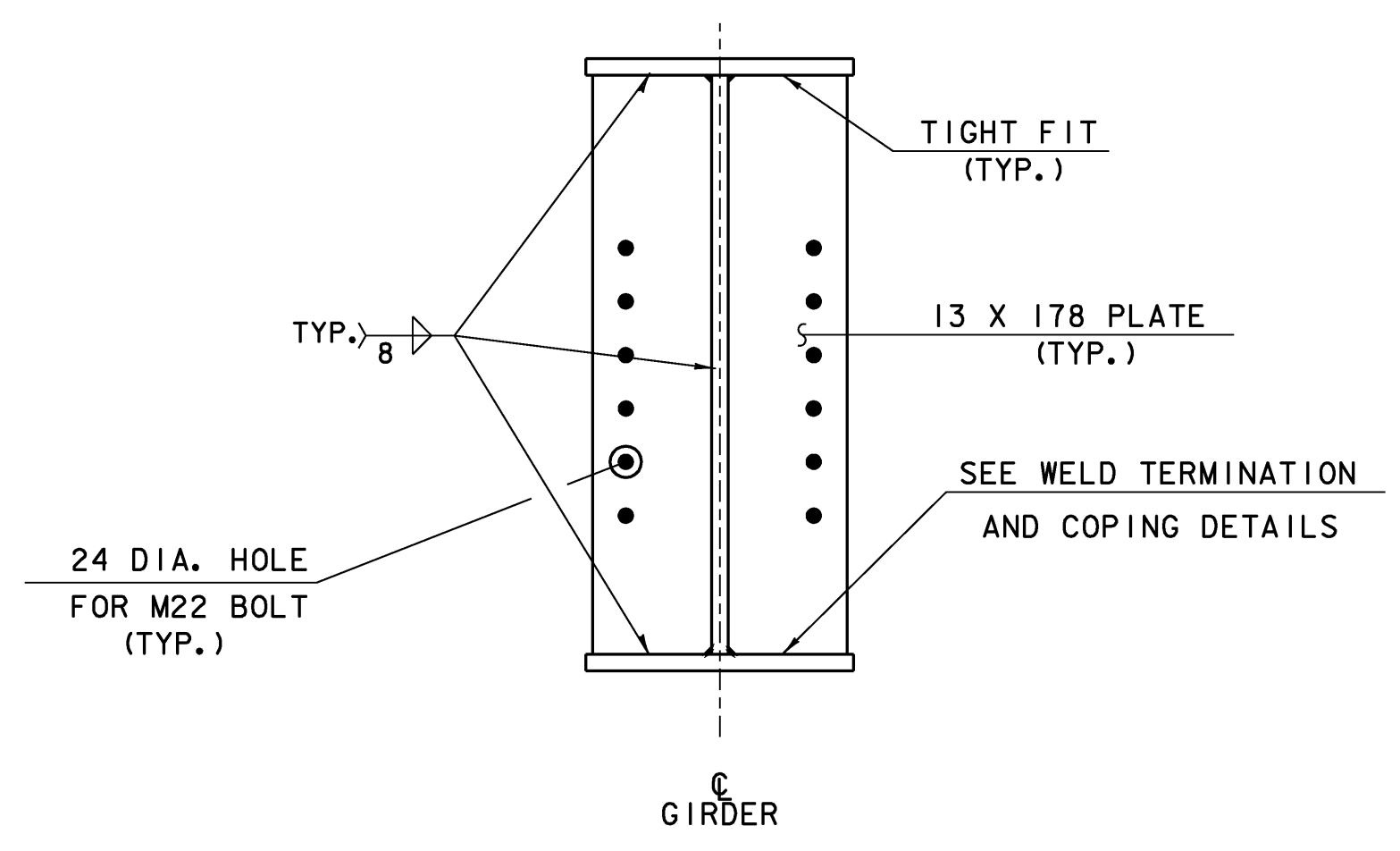
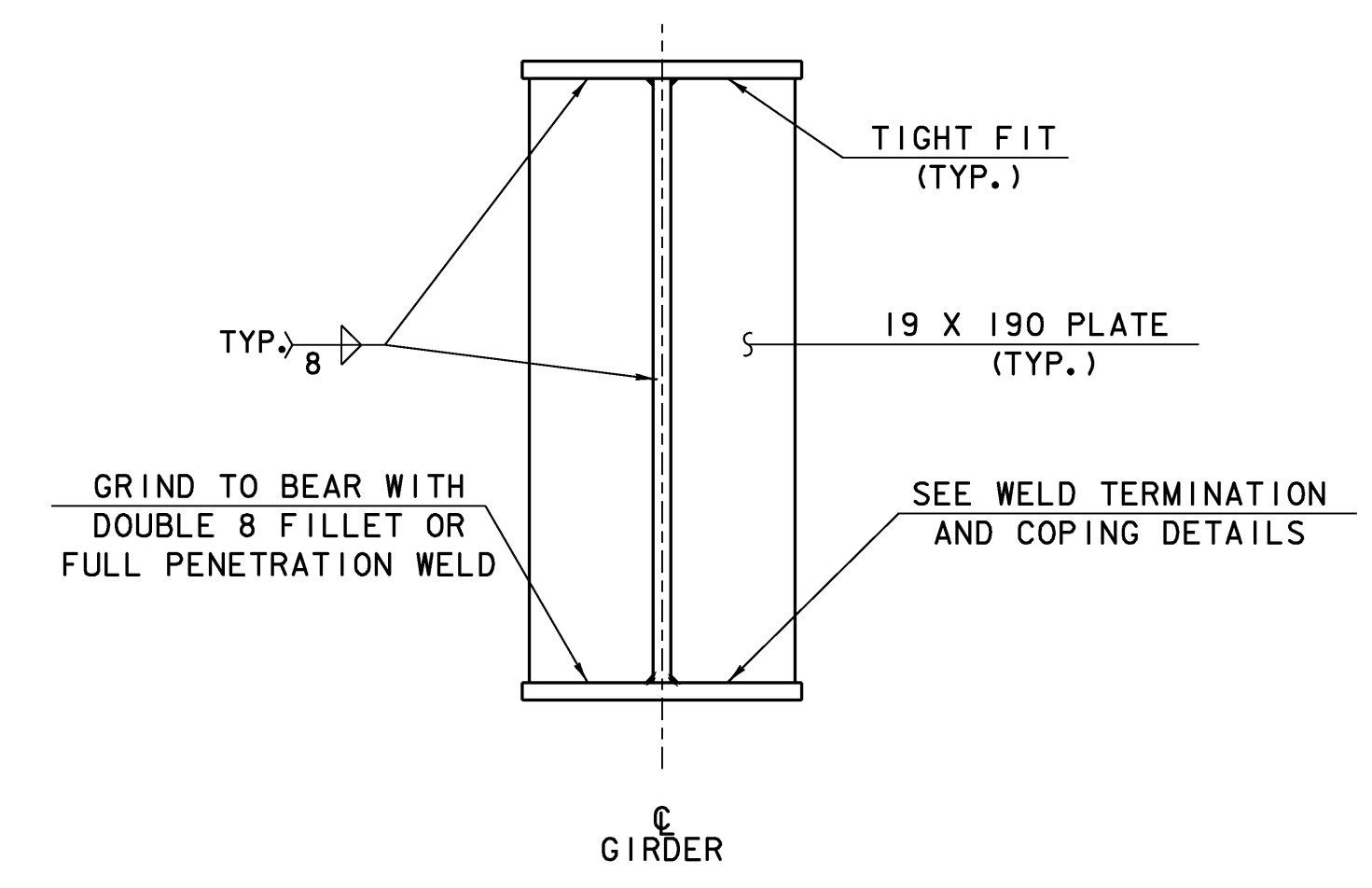
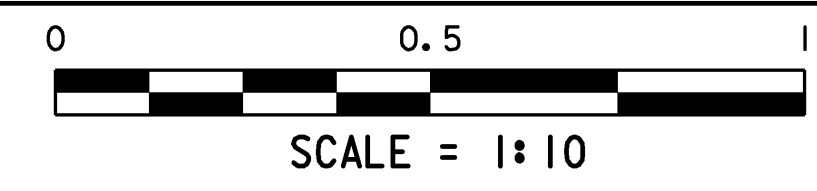


INTERMEDIATE DIAPHRAGMS
SCALE: 1/10

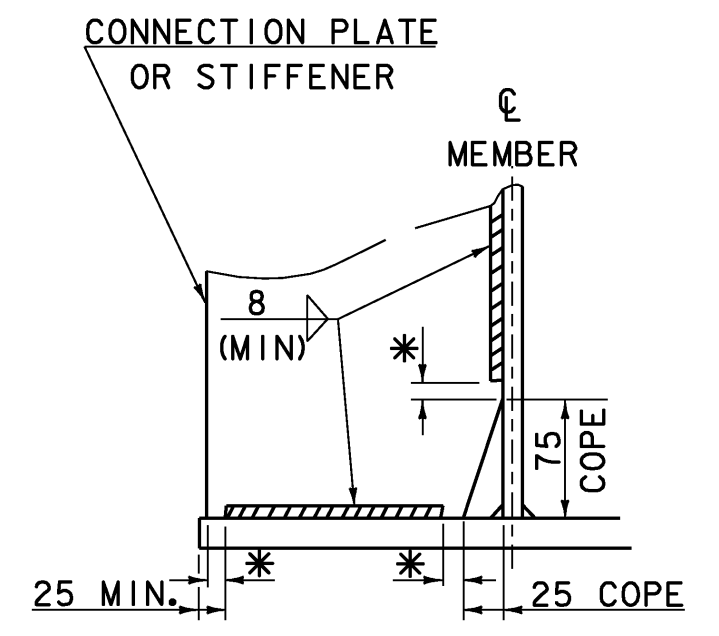
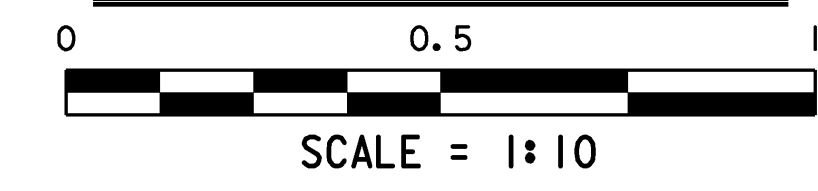
NOTE: HI-STRENGTH BOLTS, NUTS AND WASHERS SHALL CONFORM TO AASHTO DESIGNATION M 164.



INTERMEDIATE DIAPHRAGM CONNECTION PLATE DETAIL



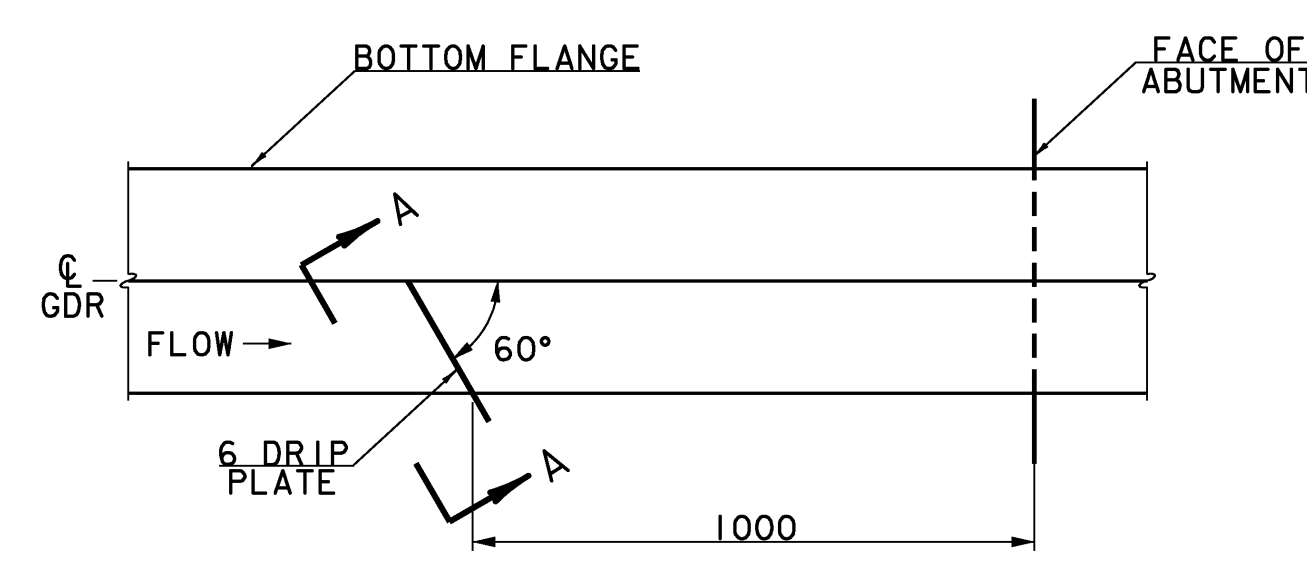
ABUTMENT BEARING STIFFENER DETAIL



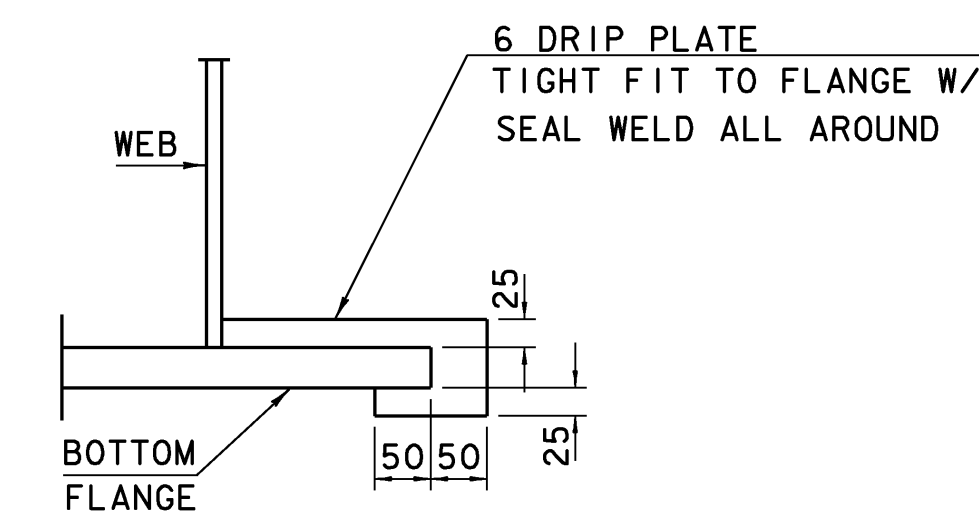
* NO WELD FOR 10 MIN. 13 MAX. (EXCEPT MUST MAINTAIN 25 MINIMUM FROM EDGE OF FLANGE.)

WELD TERMINATION AND COPING DETAIL FOR WELDED PLATE GIRDERS

NTS

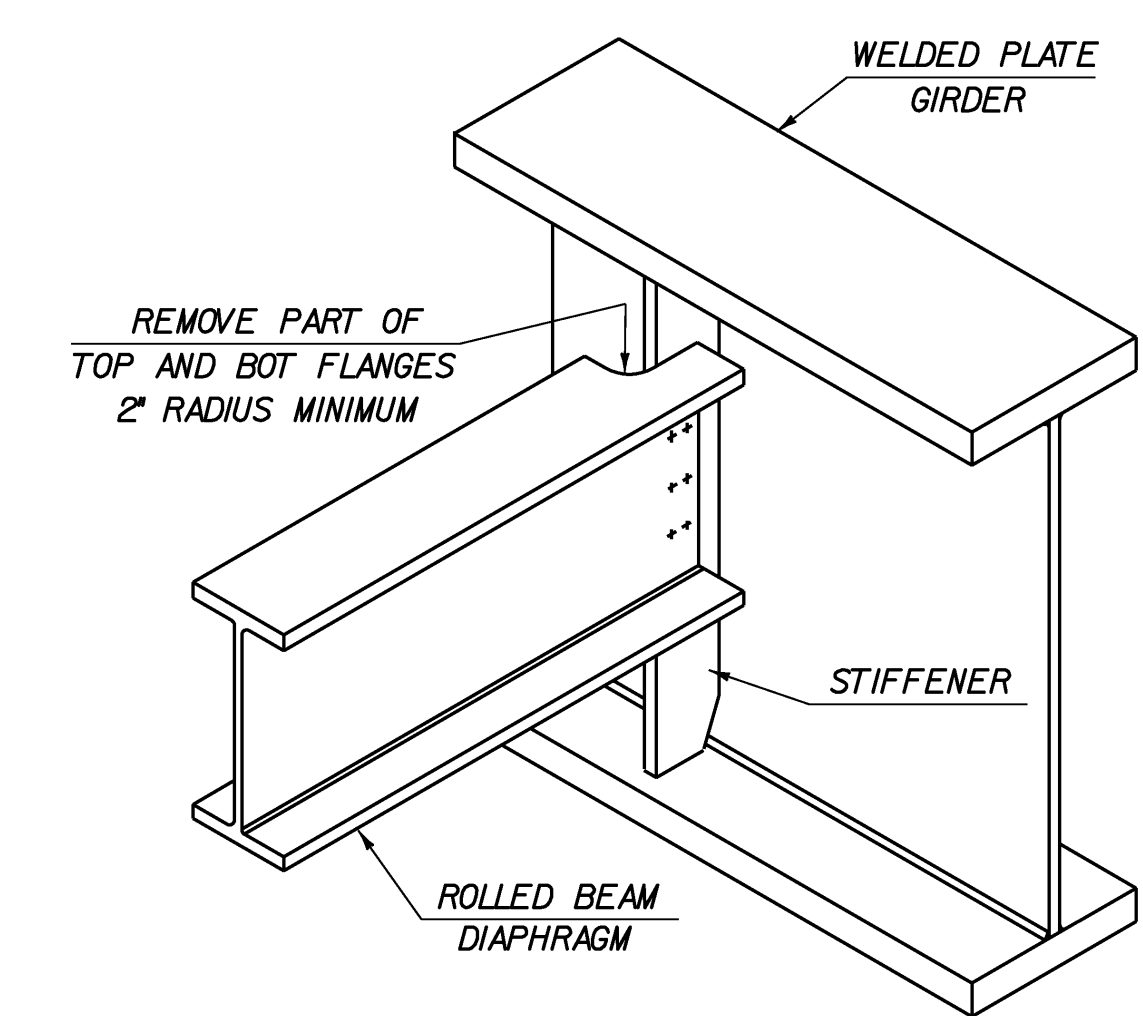


DRIP PLATE PLAN

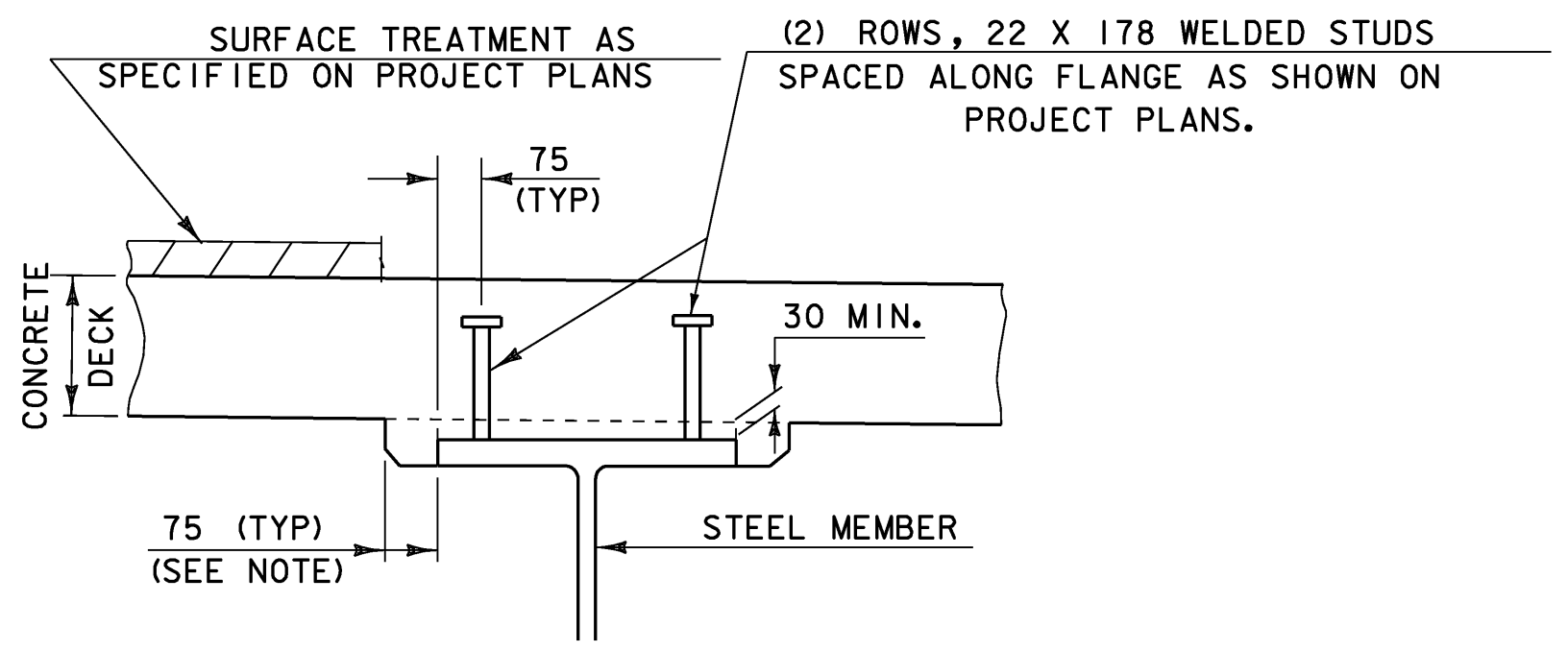


SECTION A-A

NOTES:
DRIP PLATES SHALL BE PLACED ON OUTSIDE EDGE OF FASCIA GIRDERS ON THE HIGH SIDE OF BOTH ABUTMENTS OR AS INDICATED ON THE PLANS



SEE CONTRACT DRAWINGS FOR SIZES OF MEMBERS AND CONNECTION DETAILS
ROLLED BEAM USED AS DIAPHRAGM



HAUNCH AND SHEAR CONNECTOR DETAILS

NOTE: THE 75 HORIZONTAL SECTION MAY BE ELIMINATED FOR FORMING SYSTEMS DESIGNED FOR THE CONSTRUCTION OF VERTICAL HAUNCHES. SYSTEMS SHALL BE SUBMITTED FOR APPROVAL TO THE STRUCTURES ENGINEER. ALL VOIDS SHALL BE FILLED WITH POLYURETHANE JOINT SEALER OR AN EQUIVALENT PRODUCT FROM THE APPROVED PRODUCTS LIST. COST SHALL BE INCIDENTAL TO ADJACENT CONCRETE ITEM.

DIAPHRAGM DETAILS

PROJECT NAME:	BRATTLEBORO	FILE NAME:	96j228\str\sj228sup.dgn	PLOT DATE:	29-APR-2009
PROJECT NUMBER:	BRF 2000(2)S	PROJECT LEADER:	R.R. WHITCOMB	DRAWN BY:	D. PETERSON
		DESIGNED BY:	C. CARLSON	CHECKED BY:	C. CARLSON
			sj228sup.l	SHEET	38 OF 77