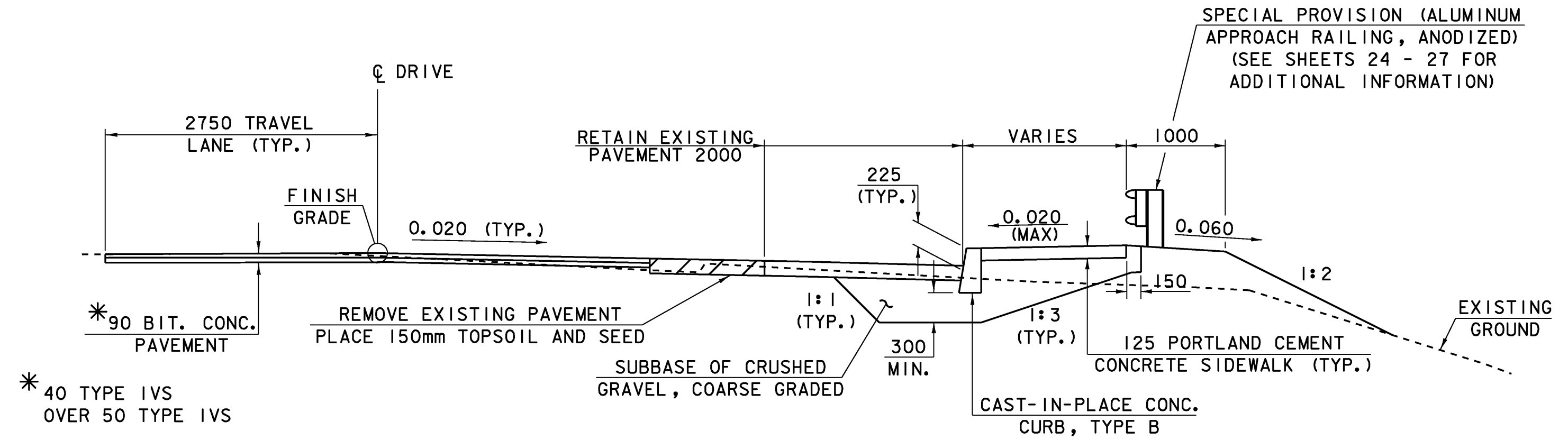


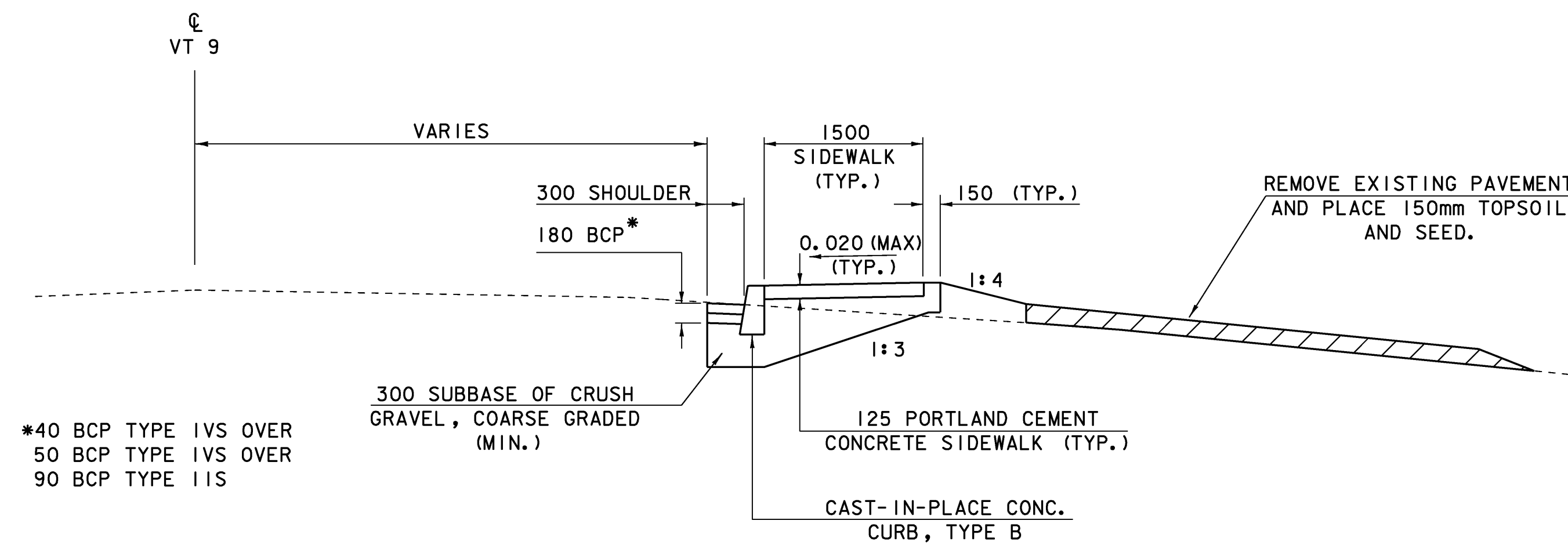
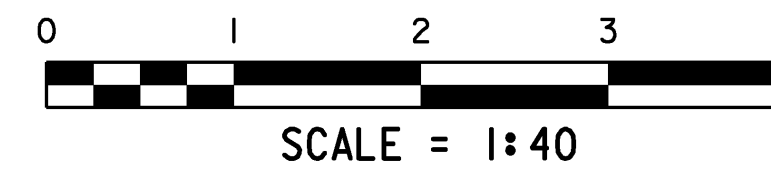
**ABUTMENT EARTHWORK TYPICAL SECTION**  
(NOT TO SCALE)

**NOTES**

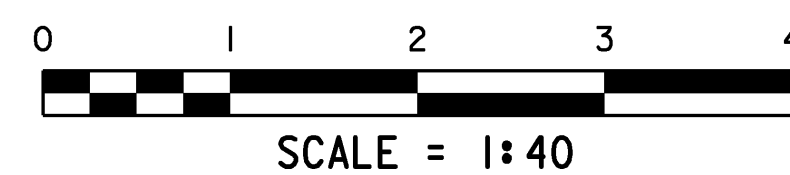
1. FOR THE PURPOSES OF ESTIMATING EARTHWORK QUANTITIES, THE LIMITS OF STRUCTURE EXCAVATION HAVE BEEN ASSUMED TO BE AS SHOWN ABOVE. ONLY THE EXCAVATION INCLUDED IN THESE LIMITS SHALL BE PAID FOR UNDER ITEM 204.25, "STRUCTURE EXCAVATION". EXCAVATION OUTSIDE THESE LIMITS WILL NOT BE COMPENSATED AND SHALL BE AT THE CONTRACTOR'S EXPENSE.
2. 300 UNDERCUT AS DETERMINED NECESSARY BY THE RESIDENT ENGINEER.



**DRIVE TYPICAL SECTION**



**VT9 TYPICAL SECTION**



**PROJECT TYPICAL SECTIONS (2)**

PROJECT NAME:	BRATTLEBORO	PLOT DATE:	26-MAY-2009
PROJECT NUMBER:	BRF 2000(2)S	DRAWN BY:	C. MOONEY
FILE NAME:	96J228\Str\s1228typ.dgn	CHECKED BY:	D. PETERSON
PROJECT MANAGER:	R. R. WHITCOMB	DESIGNED BY:	C. CARLSON
			SHEET 12 OF 77