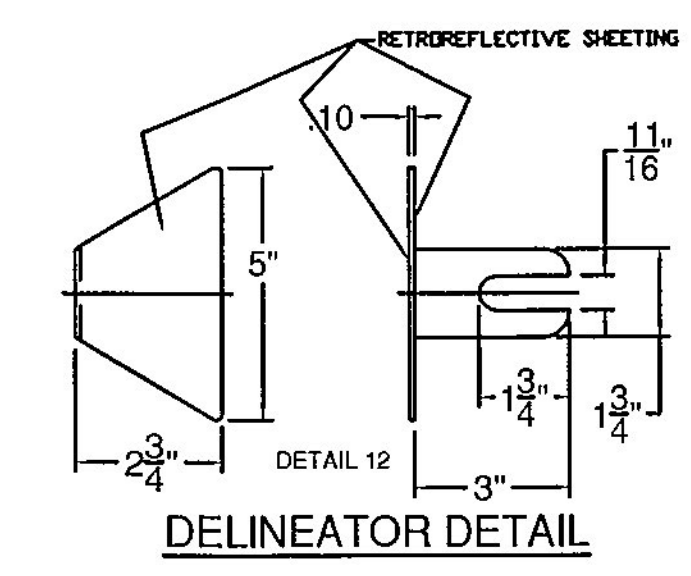
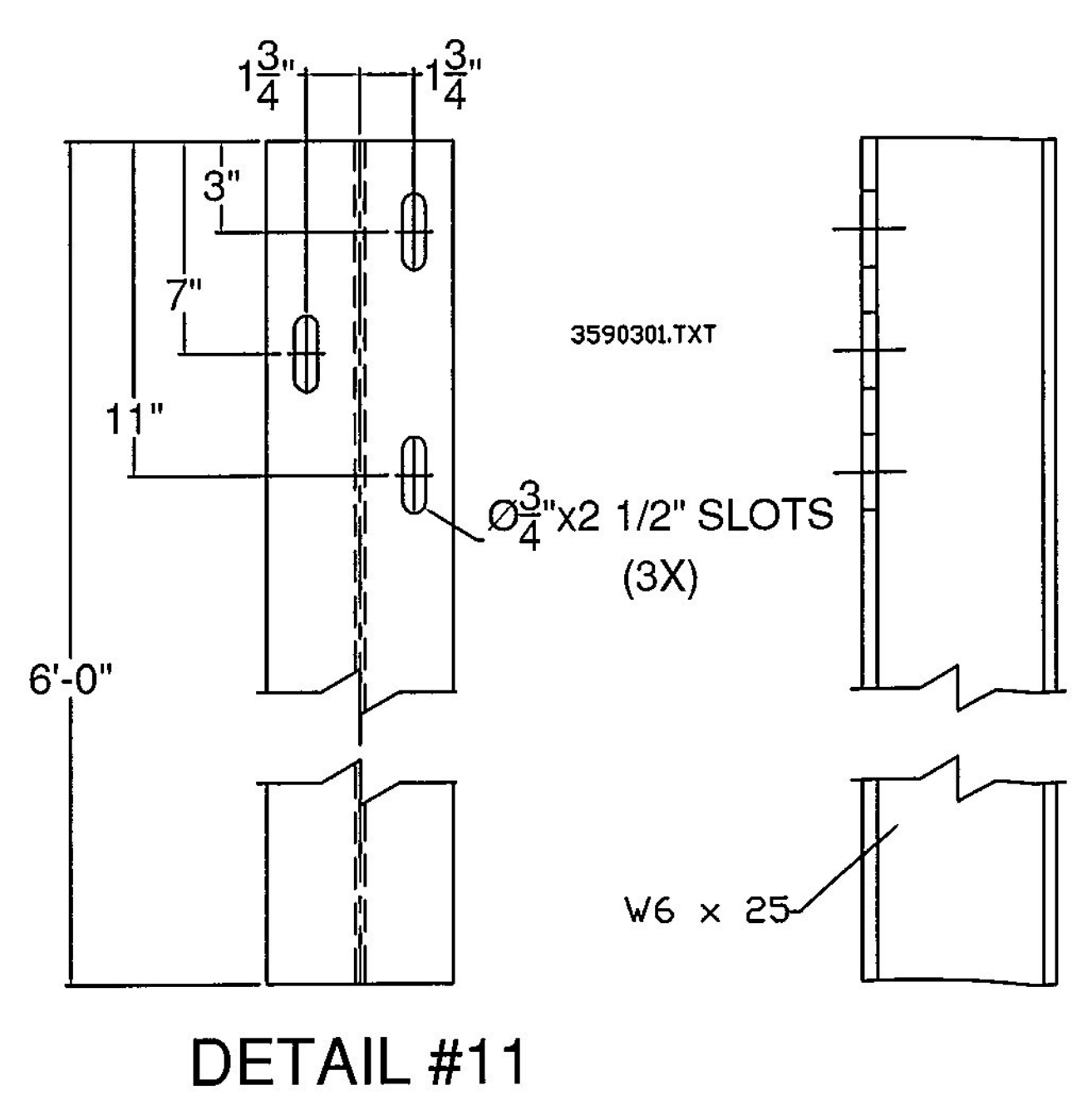
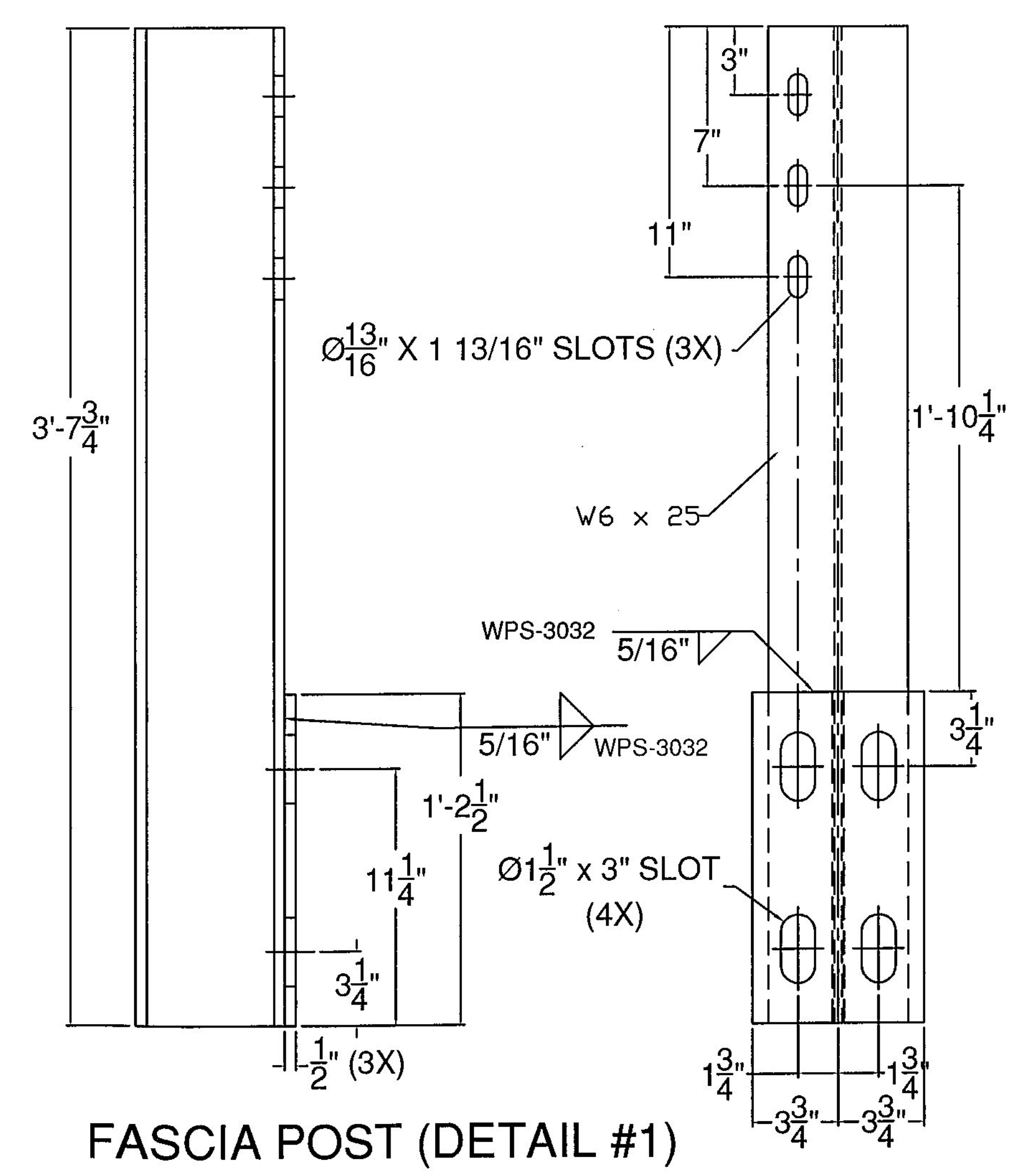
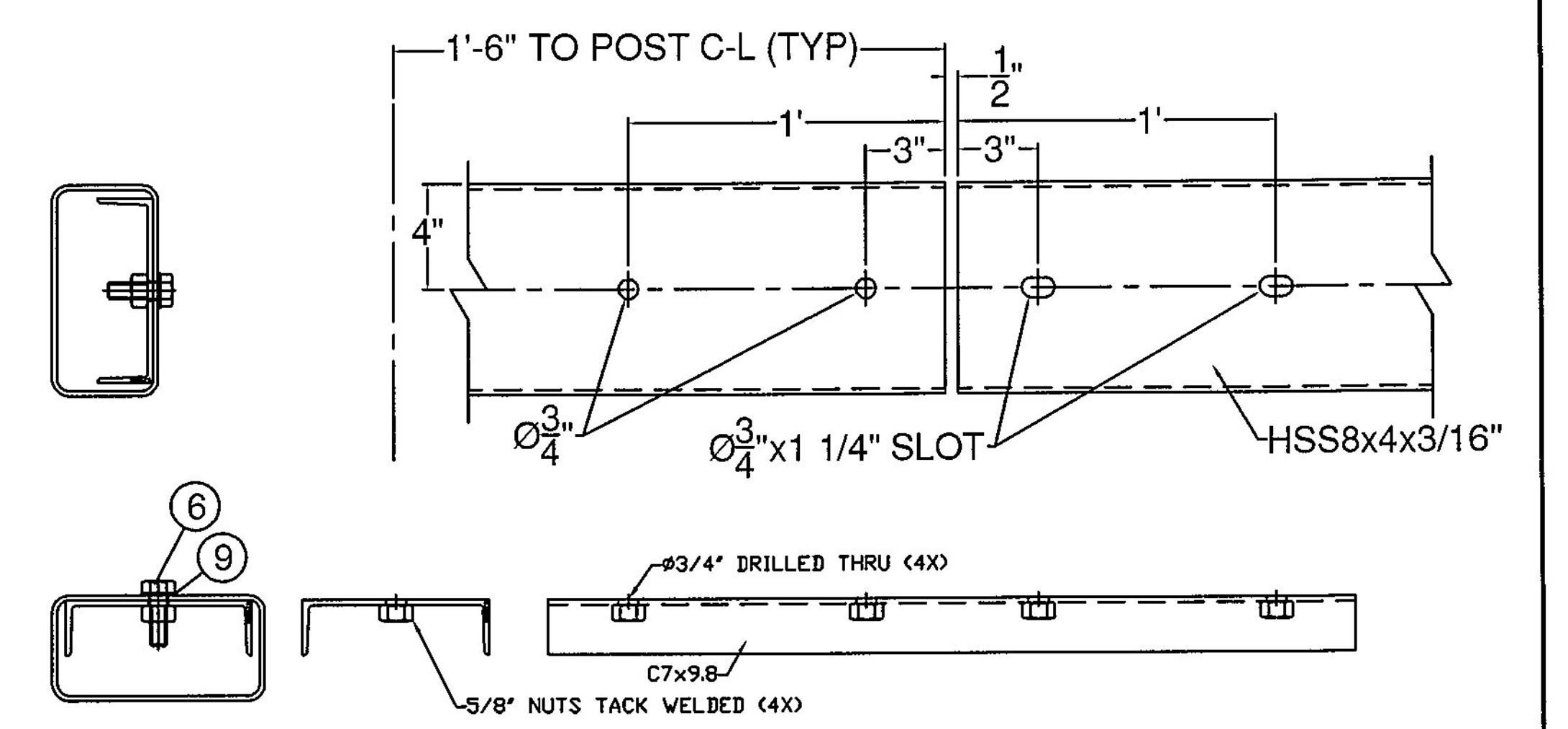
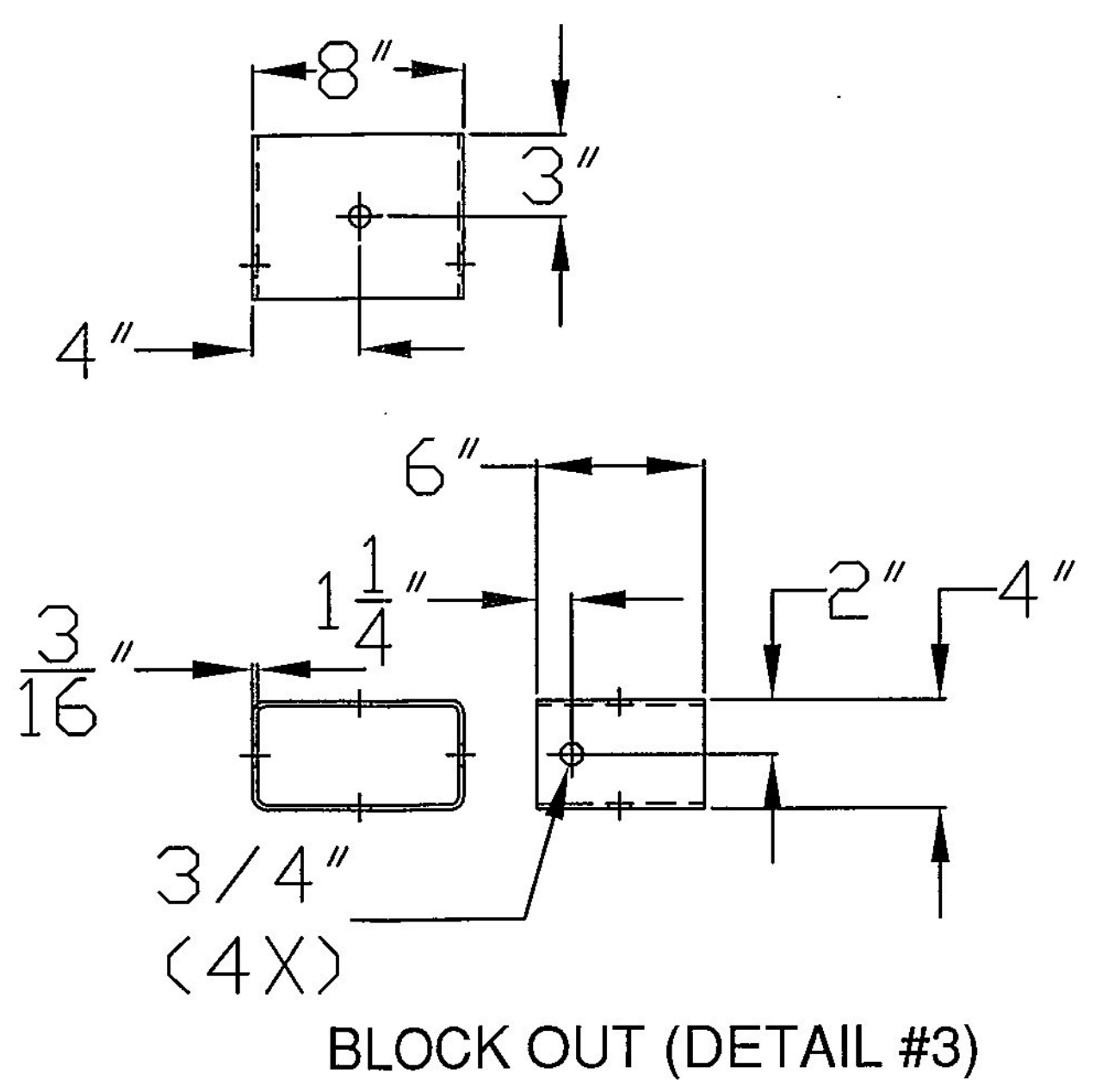


3 W/ 174' CONCAVE RADIUS (#6043.62174)
3 W/ 156' CONVEX RADIUS (#6043.52155)

Vermont Agency of Transportation
RECEIVED
CK'D BY FDB OK'D BY HS
April 29, 2016
RESUBMIT no Approved AsNoted
BY Carolyn Carlson DATE 05/03/2016



ITEM #: 525.44
STRUCTURAL STEEL TO COMPLY W/ ASTM A6
GALVANIZING TO BE PER ASTM A123, UNLESS OTHERWISE SPECIFIED.
TOLERANCE UNLESS OTHERWISE NOTED:
HOLES - ± 1/32"
FRACTIONS - ± 1/16"
ANGLES - ± 1/2"

SHEET 2 OF 2

BRIDGE RAIL DETAILS SHEET
ROUTE NO: TOWN HIGHWAY 14, CLASS 3 BRIDGE NO. 26
TOWN OF STAMFORD, COUNTY OF BENNINGTON, VERMONT

R NO.	DATE	DESCRIPTION	BY	R NO.	DATE	DESCRIPTION	BY
E 1	4/27/16	REVISED WITH NEW LENGTHS	D.K.	E			
V				V			

DRAWN	D.K.	04/05/16
CHECKED	E.P.	04/05/16
APPROVED	D.L.	04/05/16
SCALE	SCHEMATIC	
DRAWING NO. FR L&FAYETTE-STAMFORD		

ELDERLEE, INC.
OAKS CORNERS, NEW YORK 14518
email: dlong@elderlee.com / epesk@elderlee.com
Tel: 315-789-6670 Fax: 315-789-6615

CERTIFIED FABRICATOR
ORTHOGONAL PROJECTION