

RIGHT - OF - WAY DETAIL SHEET











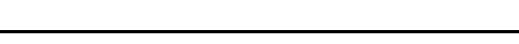
TABLE OF PROPERTY ACQUISITION

PARCEL NO.	PROPERTY OWNER	SHEET NO.	BEGINNING STATION	ENDING STATION	TAKE	REMAINDER	RIGHT			RECORDING DATA					REMARKS
					AREA±	AREA±	TYPE	(T)/(P)	AREA ±	TITLE	DATE	TOWN / CITY	BOOK	PAGE	
1	BLUEGREEN CORPORATION	1	10+81.19 LT 10+57.70 LT	11+45± LT 11+32 LT			HIGHWAY CONSTRUCT	P T	678 SF 475 SF						INCLUDES BF, PDF & EC
2	GIOVACCHINO, GENNARO	1	11+43± LT 11+60 LT 12+70 LT 12+92 LT 12+70.74 LT	11+95.61 LT 12+11 LT 12+86 LT 13+30.33 LT 12+87.96 LT			HIGHWAY CONSTRUCTION CONSTRUCTION CONSTRUCTION	P T T T	497 SF 240 SF 63 SF 137 SF						INCLUDES BF, PDF & EC INCLUDES PDF INCLUDES PDF & EC GRAVEL DRIVE 17.21' WIDE
3	REMILLARD, PHILIP F.	1	10+96 RT 11+02.93 RT	11+09 RT 11+31± RT			CONSTRUCTION CHANNEL	T P	58 SF 194 SF	WDOE	04/02/15	STAMFORD	85	548	INCLUDES BF & EC INCLUDES STONE FILL & EC
4	DOLLE, WALLACE C.	1	11+28± RT 11+50 RT 12+77 RT 12+84.50 RT	11+73.65 RT 11+81 RT 12+99 RT 12+92.49 RT			CHANNEL CONSTRUCTION CONSTRUCTION DRAINAGE	P T T P	347 SF 129 SF 160 SF 27 SF	WDOE	04/02/15	STAMFORD	85	550	INCLUDES STONE FILL & EC INCLUDES BF & EC INCLUDES BF & EC
5	TELEPHONE OPERATING COMPANY OF VERMONT, LLC		10+57.70 LT	13+30.33 LT											UTILITY

TABLE OF REVISIONS

REVISION NO.	SHEET NO.	DESCRIPTION	DATE
1	3, 4	PARCEL 1, PATTEN - CHANGE NAME TO BLUEGREEN CORPORATION. REV. BY: MT C.O. 10003 APPR. BY: RC	05/15/15

PLAN LEGEND

	EXISTING RIGHT-OF-WAY		TOE OF SLOPE	EC	-EROSION CONTROL
	TAKING WITH ACCESS		TOP OF CUT	(P)	-PERMANENT
	TAKING WITHOUT ACCESS		SLOPE RIGHT	(T)	-TEMPORARY
	CLEAR ZONE		CONSTRUCTION RIGHT	DR.	-DRAINAGE RIGHT
	PROPERTY LINE		PROJECT DEMARCATION FENCE	DIT.	-DITCHING RIGHT
				CH.	-CHANNEL RIGHT
				DRIVE	-DRIVE RIGHT
				CUL.	-CULVERT RIGHT
				C&T	-CLEARING & TRIMMING RIGHT
				SR	-SLOPE RIGHT
				UE	-UTILITY EASEMENT

APPROVED: RYAN CLOUTIER DATE: 12-15-14
CHIEF, PLANS & TITLES

PROJECT NAME:	STAMFORD	PLOT DATE:	03-DEC-2015
PROJECT NUMBER:	STP 1441(29)	DRAWN BY:	M. RYAN
FILE NAME:	r96j226detail.xls	CHECKED BY:	R. CLOUTIER
PROJECT LEADER:	C. CARLSON	SHEET	44 OF 44
DESIGNED BY:	J. BLANCHARD		
R.O.W. DETAIL SHEET #1			