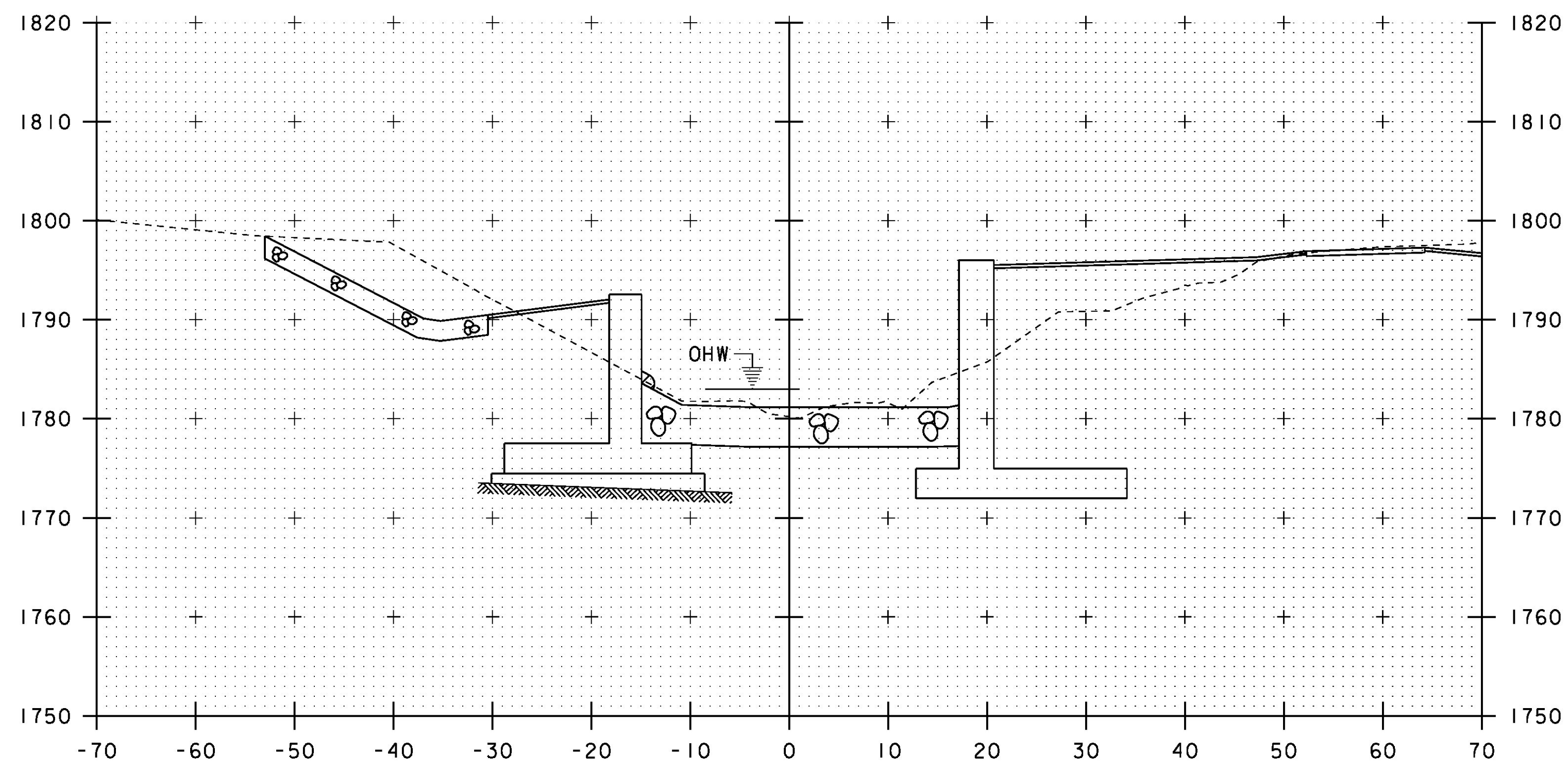
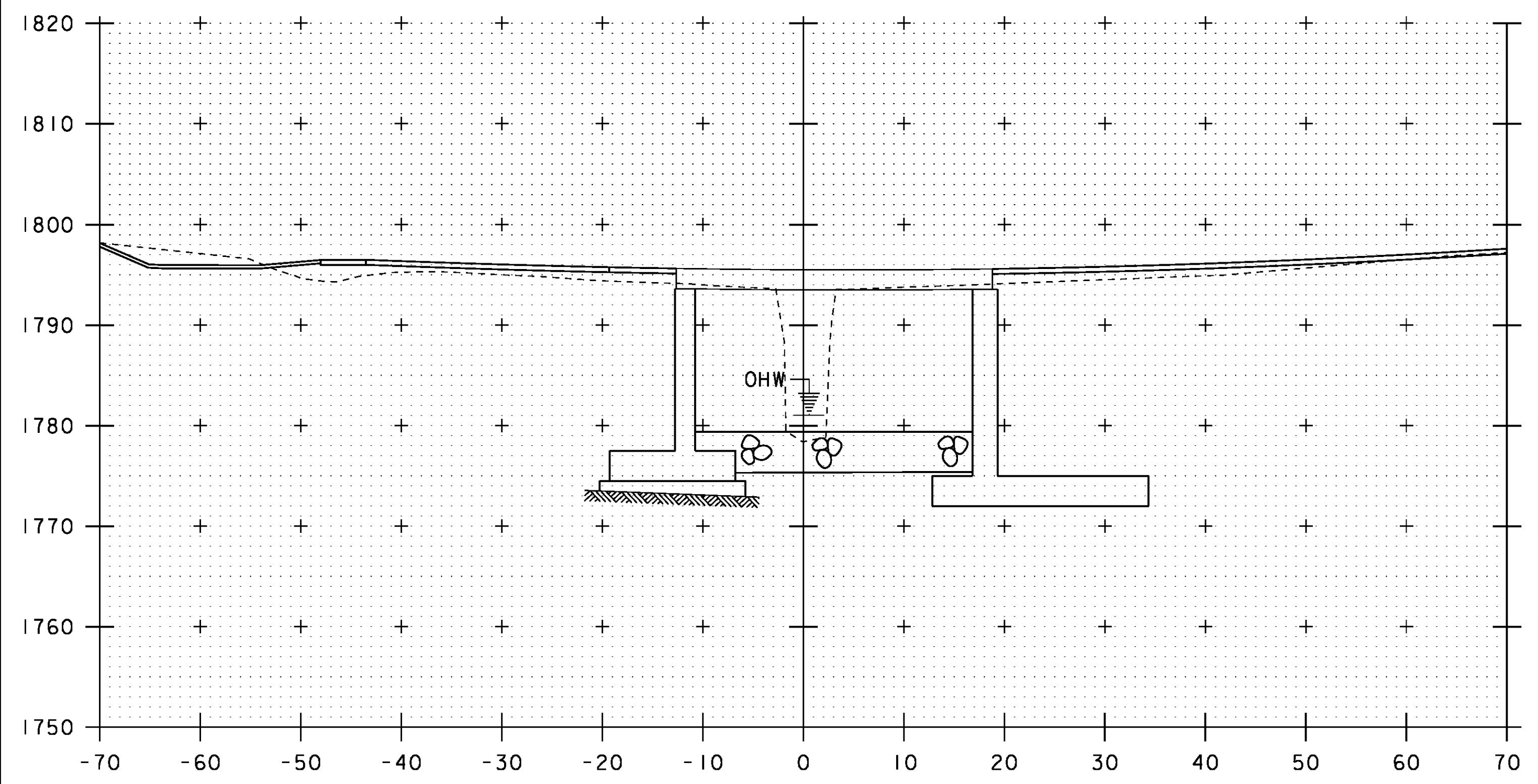


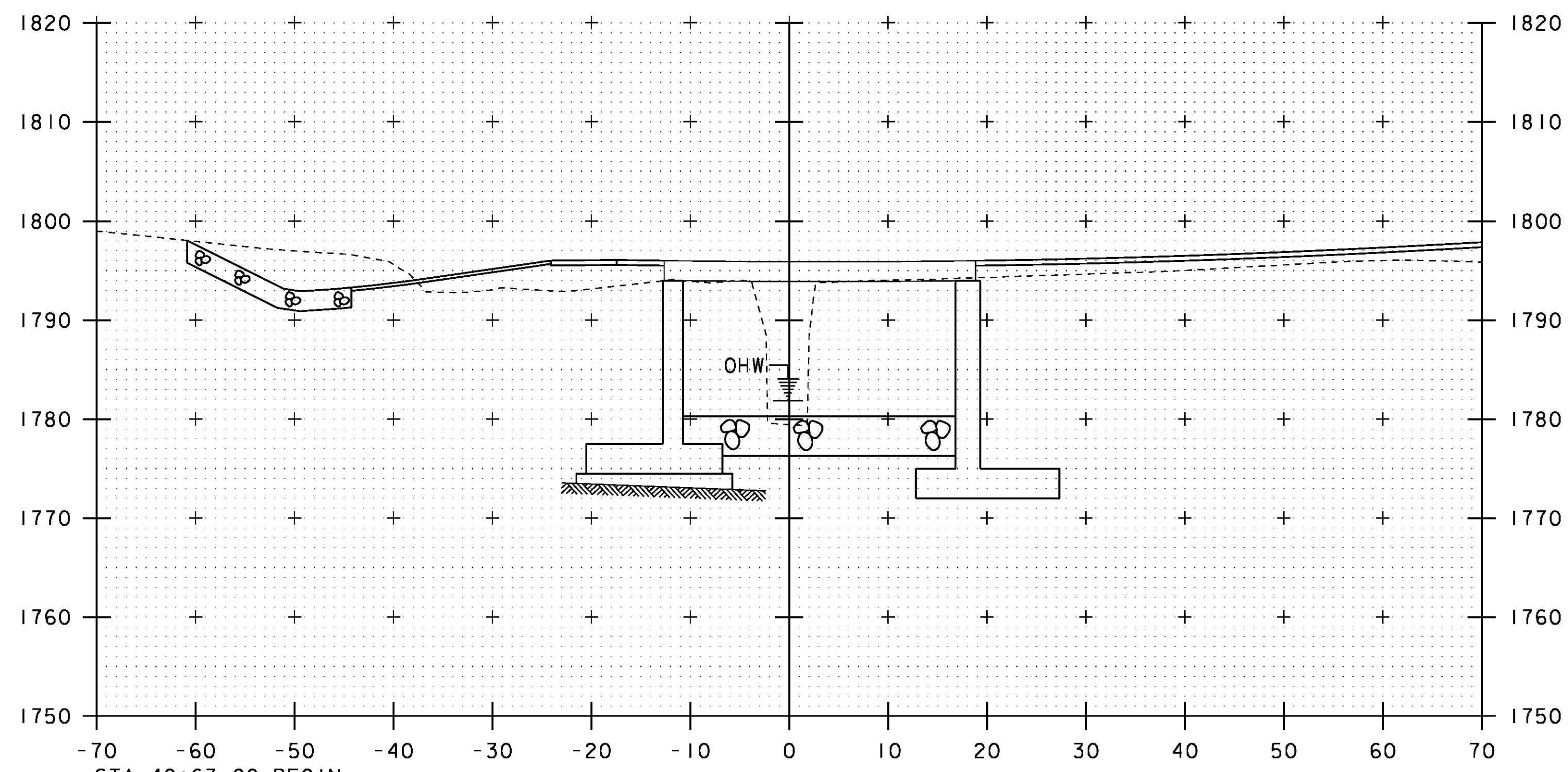
40+75



40+90



40+70



40+80

STA 40+63.00 BEGIN
GRUBBING MATERIAL

STA. 40+70 TO STA. 40+90

PROJECT NAME:	STAMFORD	PLOT DATE:	03-DEC-2015
PROJECT NUMBER:	STP 144I(29)	DRAWN BY:	D. KARABEGOVIĆ
FILE NAME:	s96j226xs.dgn	DESIGNED BY:	H. SALLS
PROJECT LEADER:	C.W. CARLSON	CHECKED BY:	H. SALLS
CHANNEL CROSS SECTIONS 2		SHEET	35 OF 44