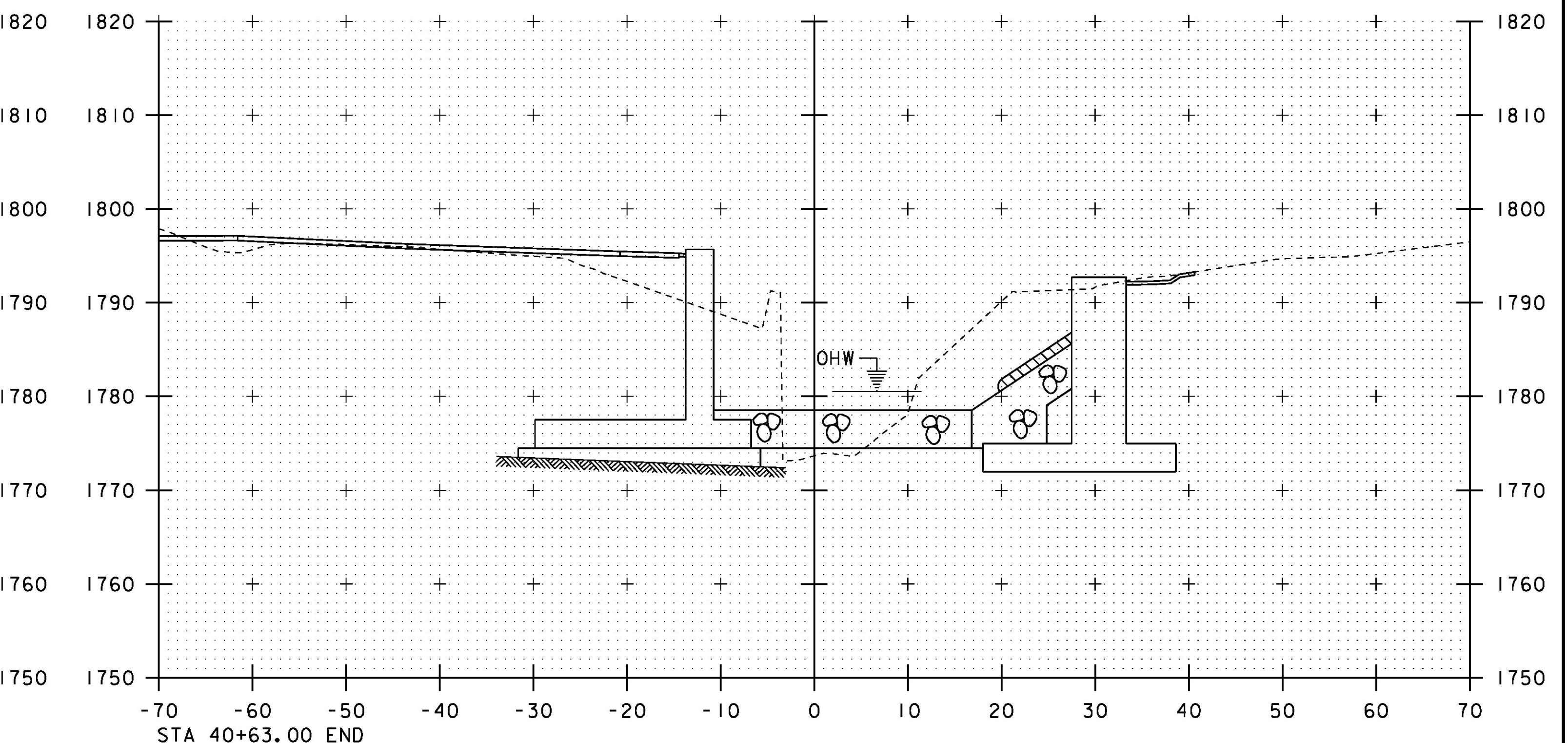


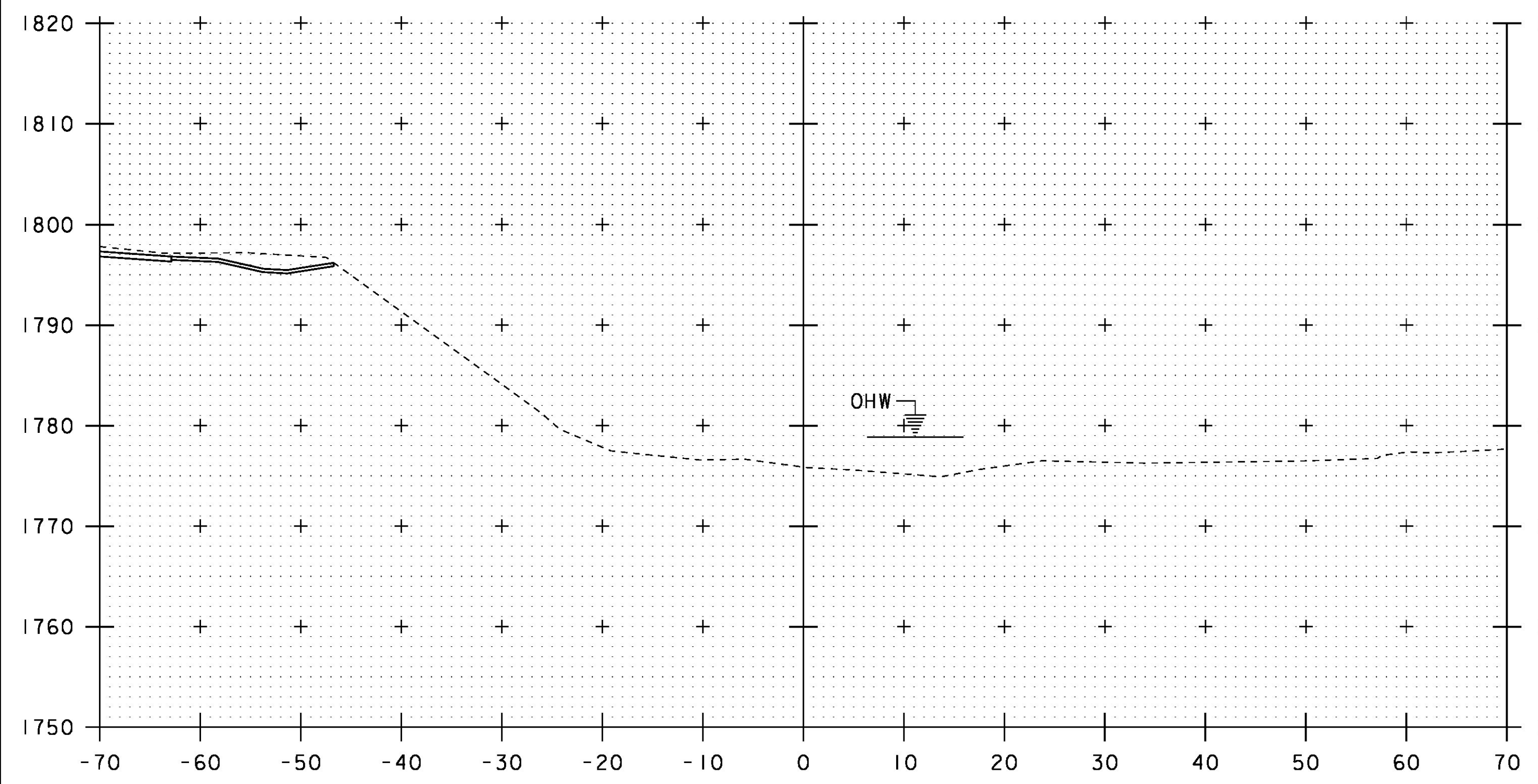
STA 40+37.00 BEGIN
 UNCLASSIFIED CHANNEL EXCAVATION
 GEOTEXTILE UNDER STONE FILL
 STONE FILL, TYPE IV
 GRUBBING MATERIAL

40+40

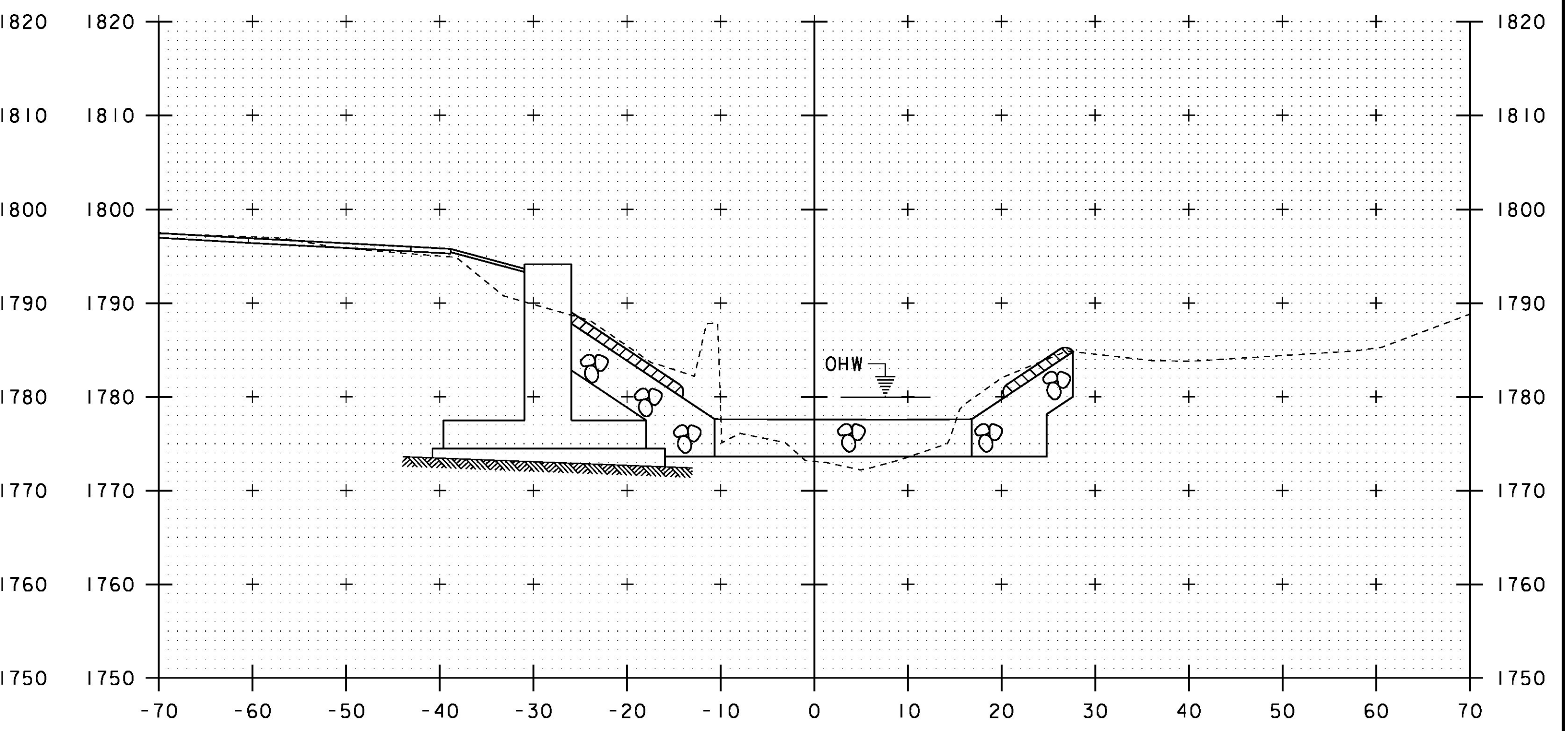


STA 40+63.00 END
 GRUBBING MATERIAL

40+60



40+30



40+50

STA. 40+30 TO STA. 40+60

PROJECT NAME:	STAMFORD	PLOT DATE:	03-DEC-2015
PROJECT NUMBER:	STP 144I(29)	DRAWN BY:	D. KARABEGOVIĆ
FILE NAME:	s96j226xs.dgn	DESIGNED BY:	H. SALLS
PROJECT LEADER:	C.W. CARLSON	CHECKED BY:	H. SALLS
CHANNEL CROSS SECTIONS I			SHEET 34 OF 44