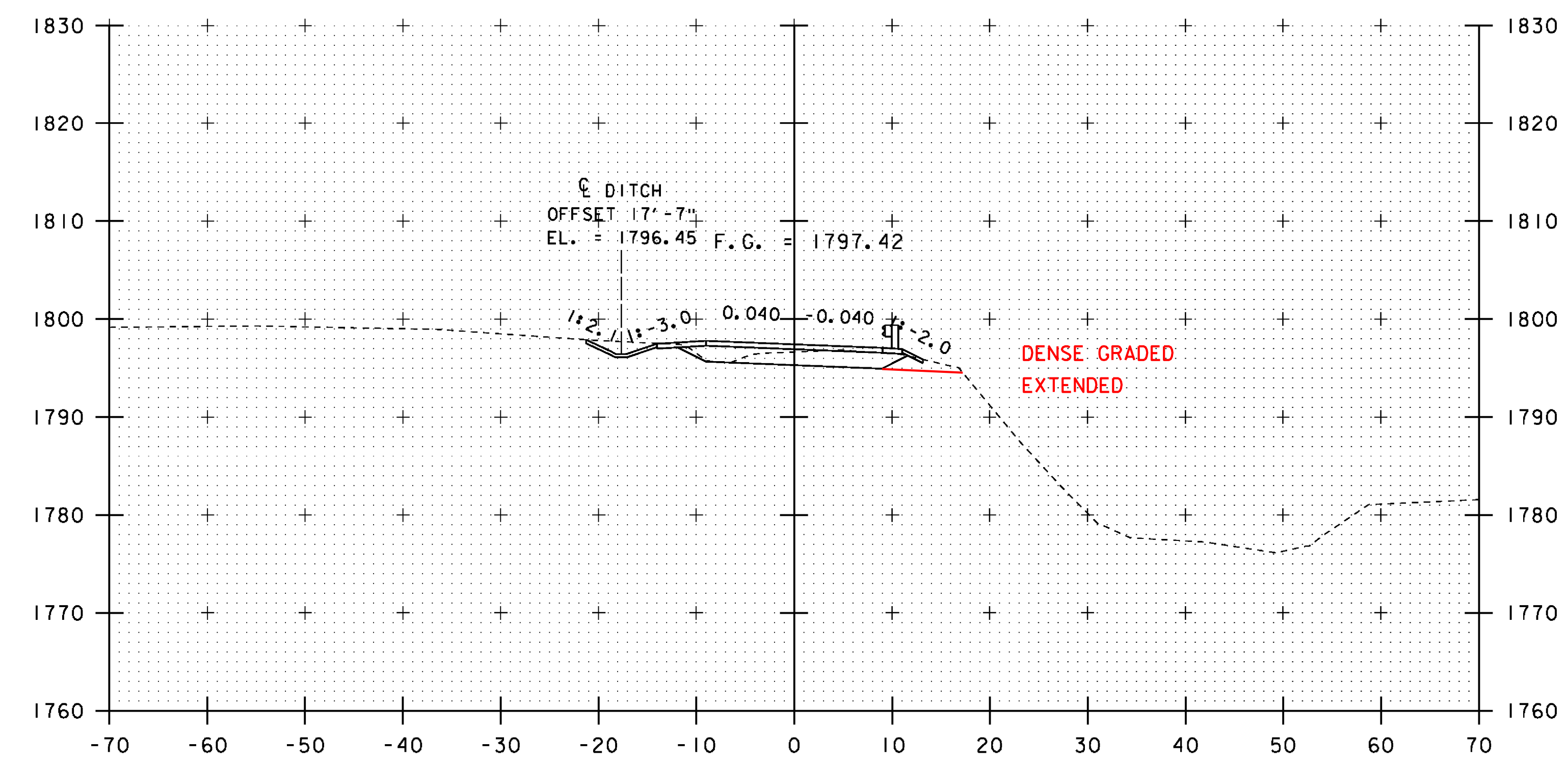
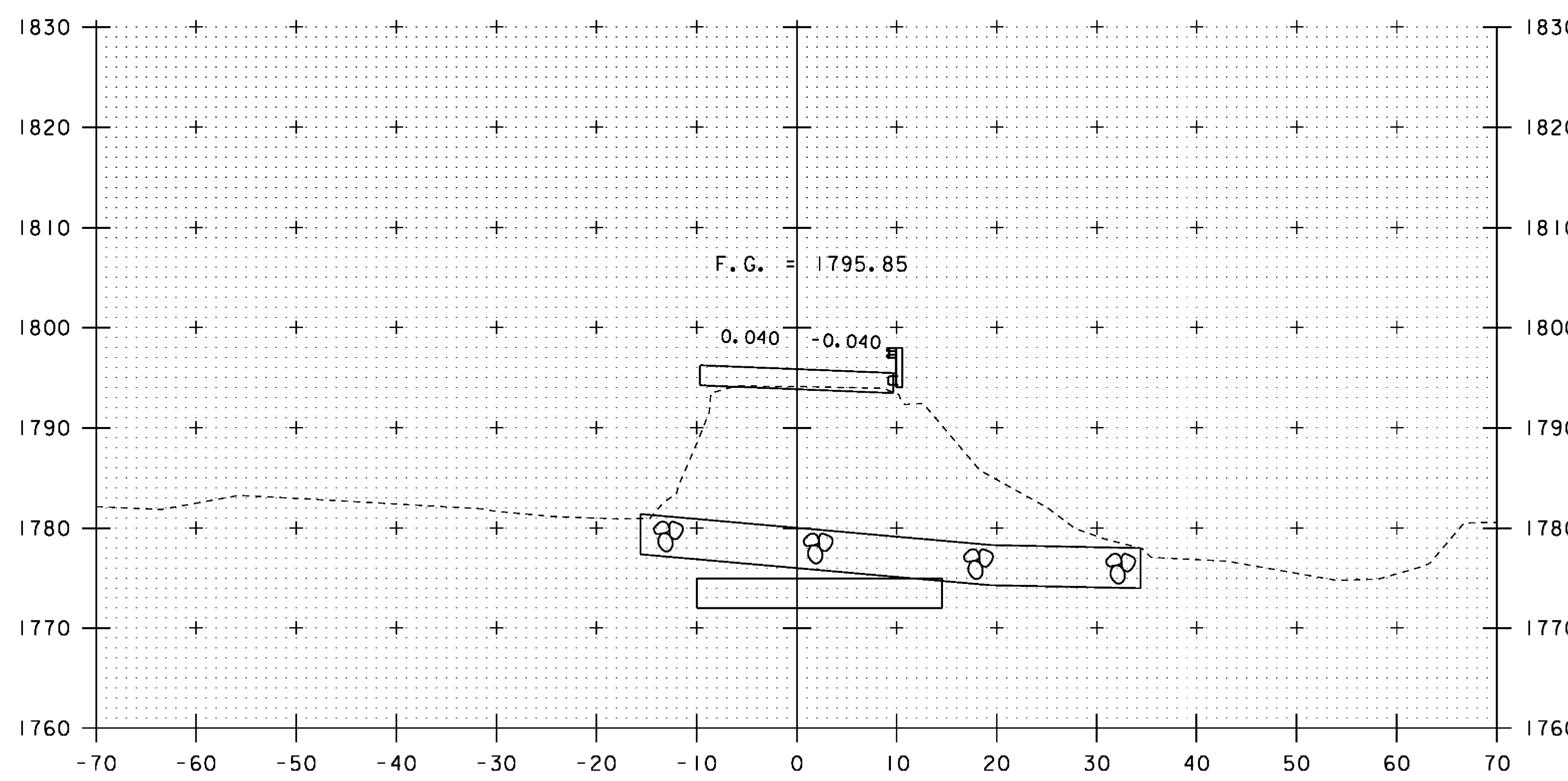


END BRIDGE STA. 11+54.50

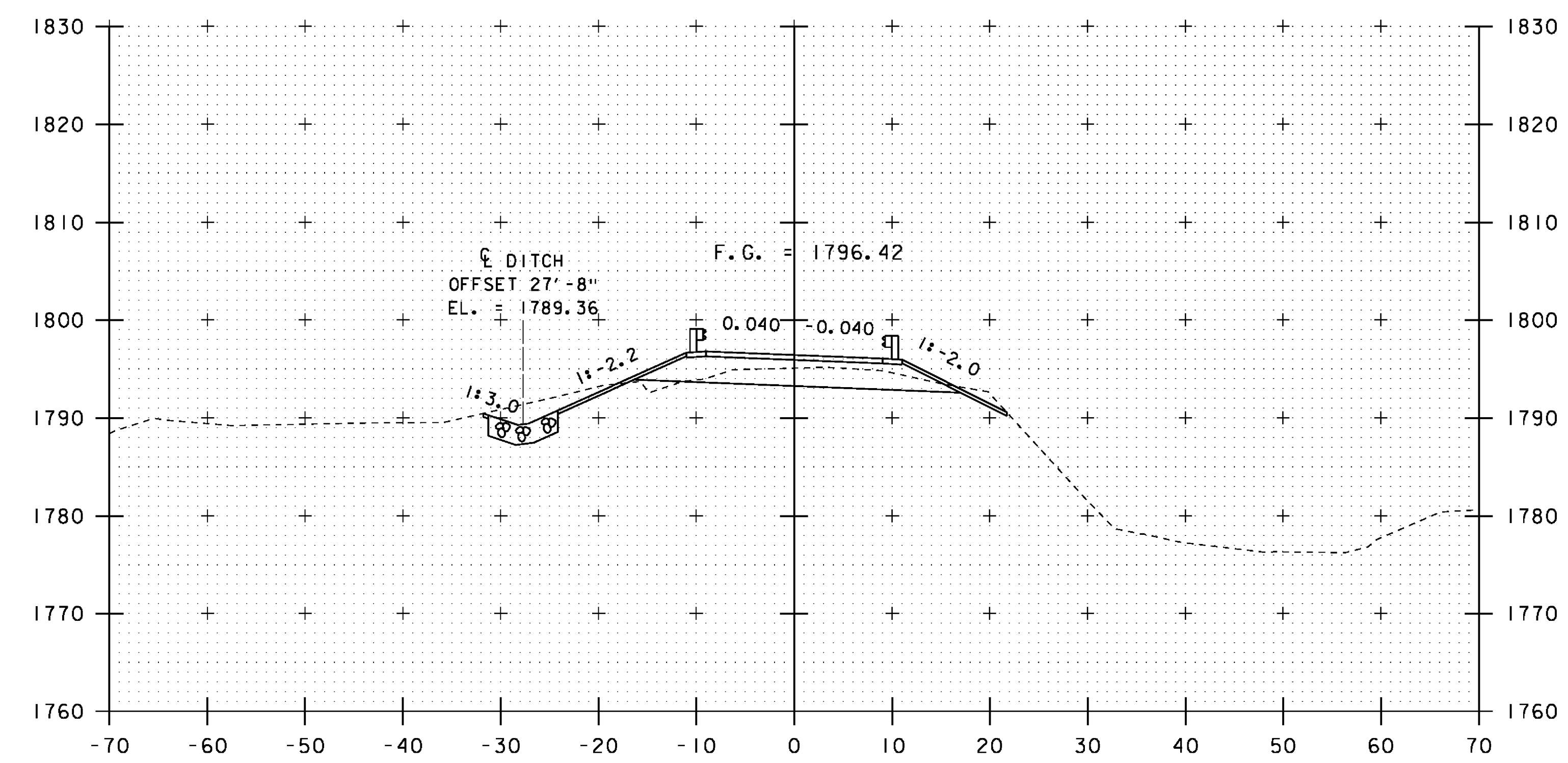
11+54



12+00



11+50



11+75

STA. 11+50 TO STA. 12+00

PROJECT NAME:	STAMFORD	PLOT DATE:	03-DEC-2015
PROJECT NUMBER:	STP 144(29)	DRAWN BY:	D. KARABEGOVIC
FILE NAME:	s96j226xs.dgn	DESIGNED BY:	H. SALLS
PROJECT LEADER:	C.W. CARLSON	CHECKED BY:	H. SALLS
TH4 CROSS SECTIONS 4		SHEET	30 OF 44