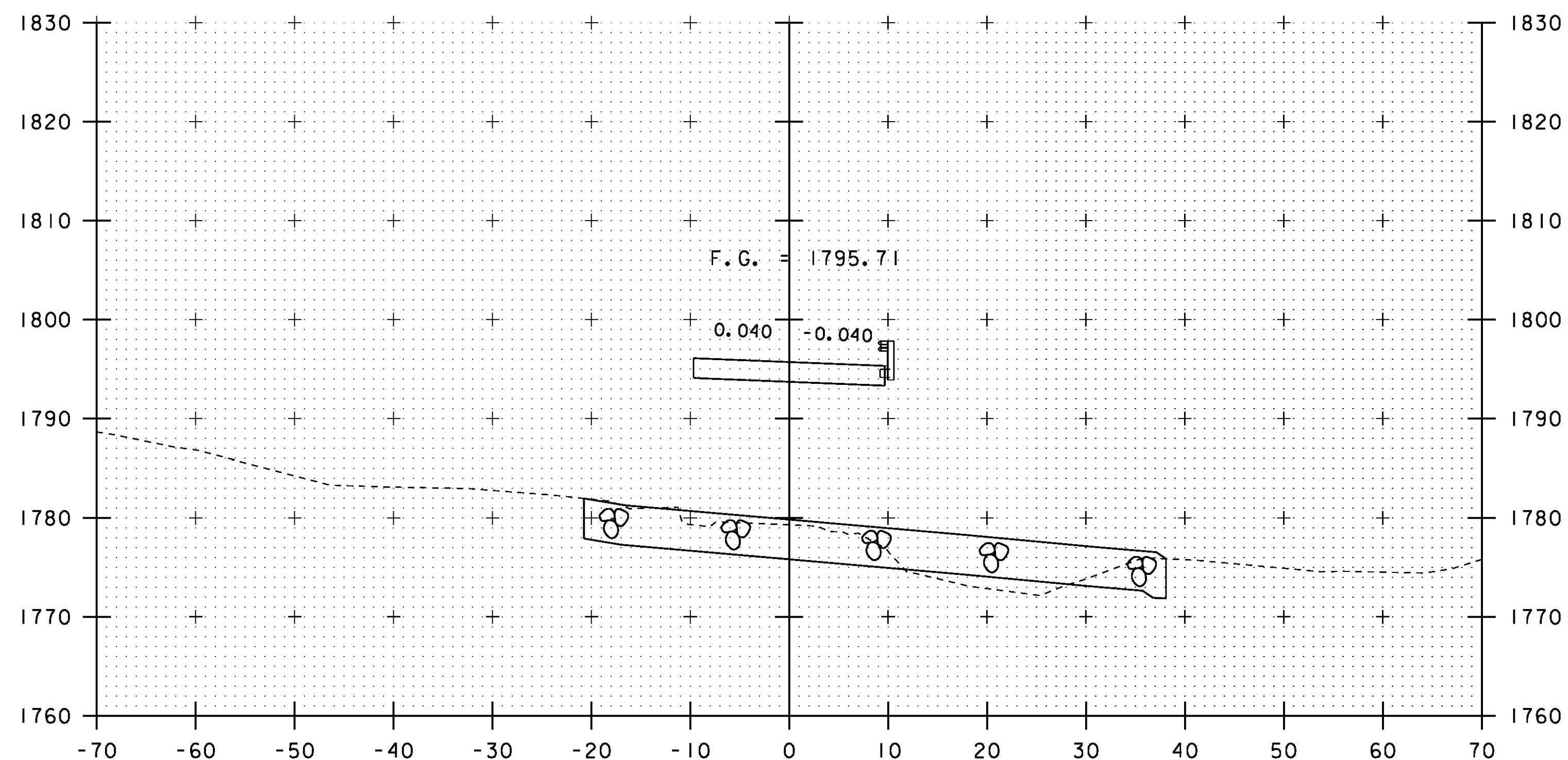
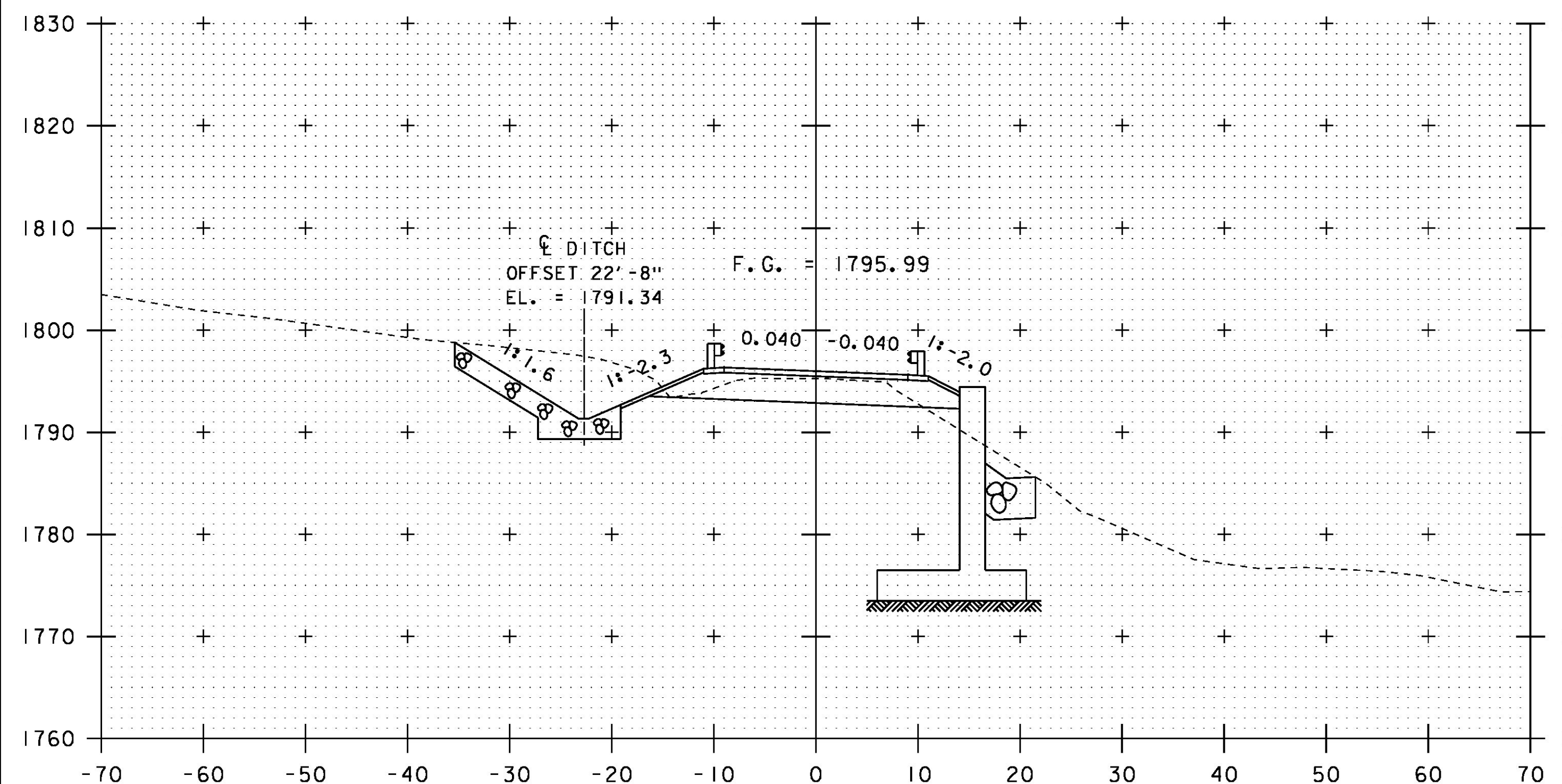


BEGIN BRIDGE STA. 11+22.00

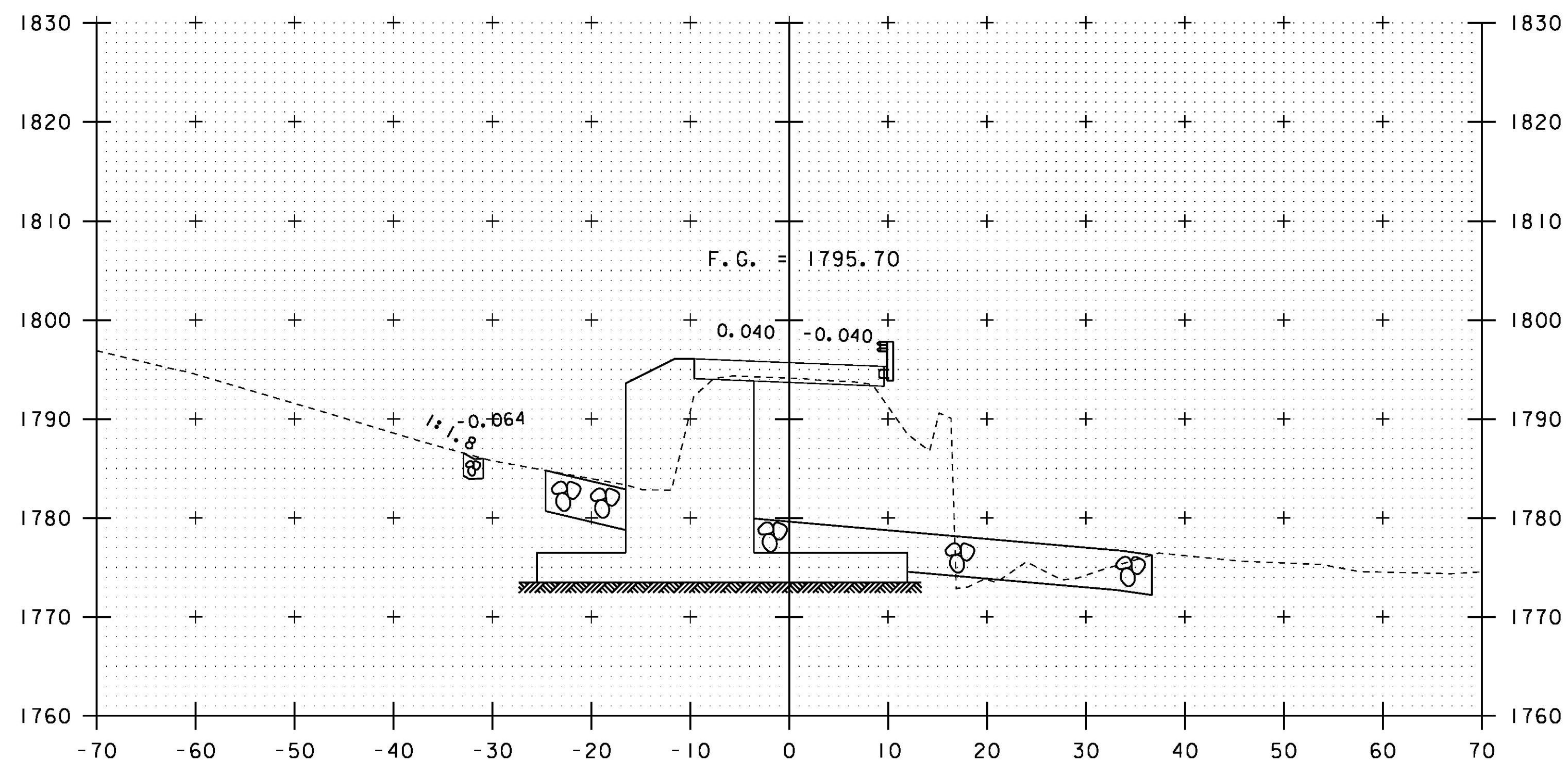
11+22



11+35



11+00



11+25

PROJECT NAME:	STAMFORD	PLOT DATE:	03-DEC-2015
PROJECT NUMBER:	STP 144I(29)	DRAWN BY:	D. KARABEGOVIC
FILE NAME:	s96j226xs.dgn	DESIGNED BY:	H. SALLS
PROJECT LEADER:	C.W. CARLSON	CHECKED BY:	H. SALLS
TH4 CROSS SECTIONS 3			SHEET 29 OF 44

STA. 11+00 TO STA. 11+35