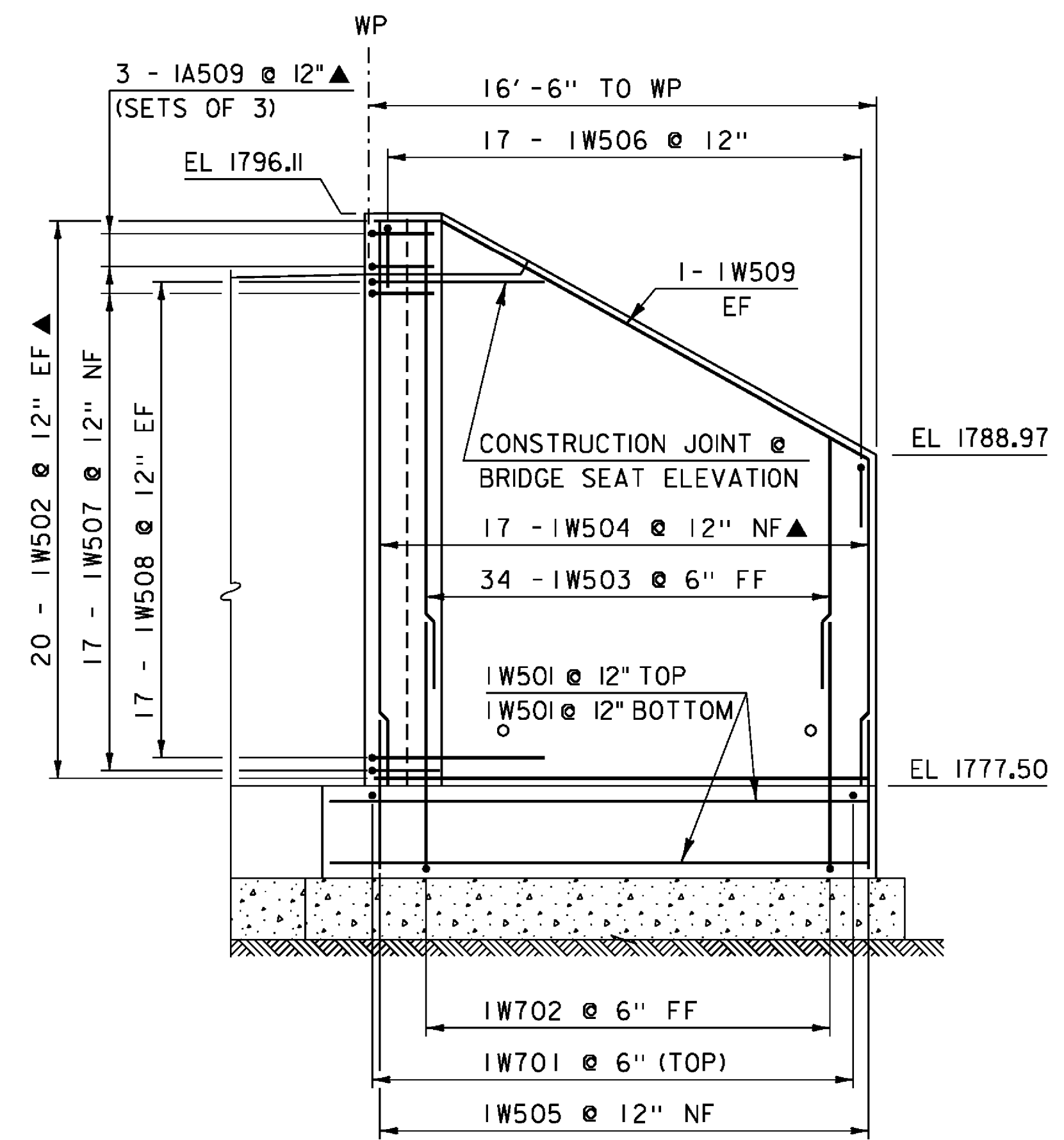
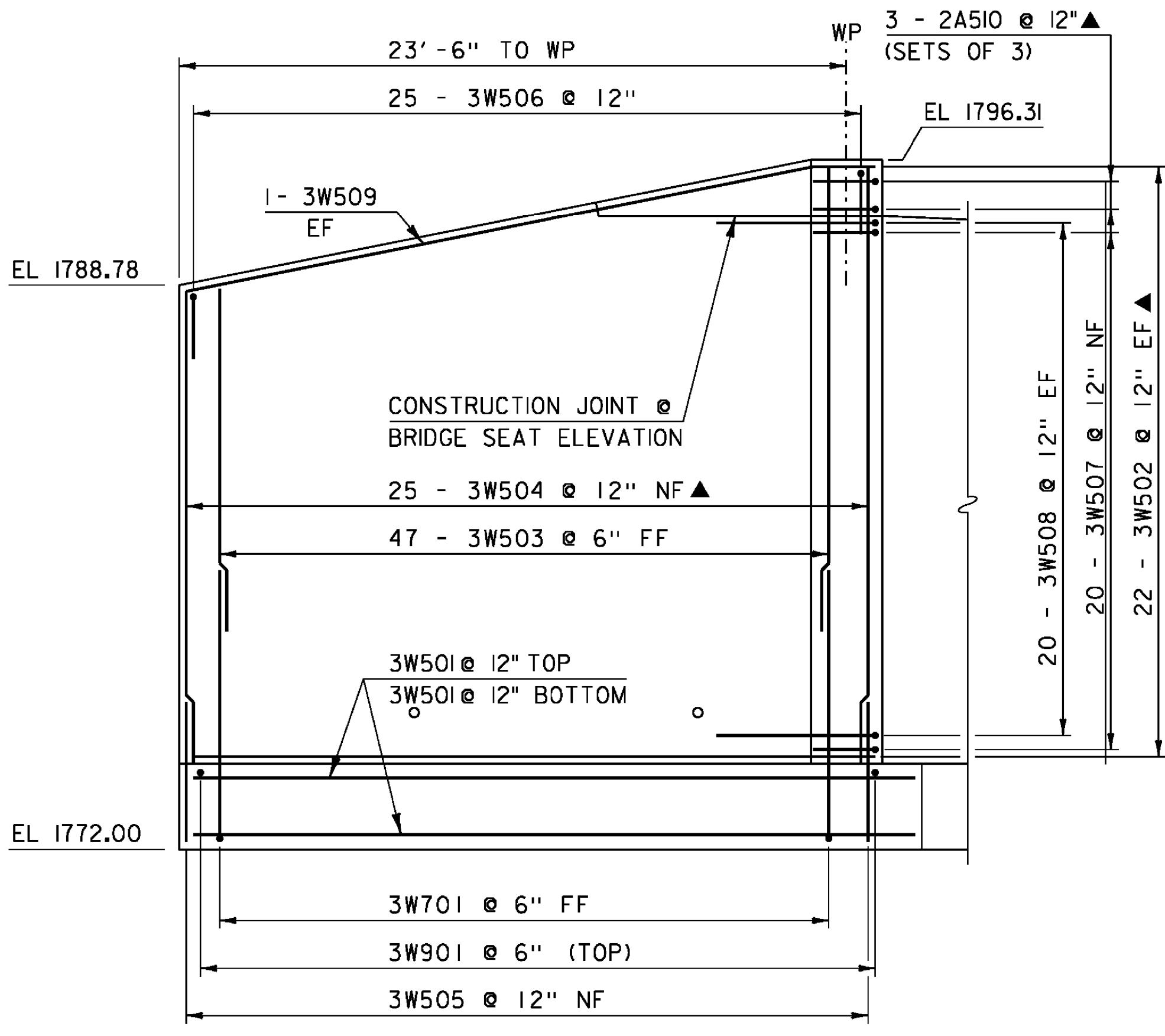


WINGWALL #2 ELEVATION Δ



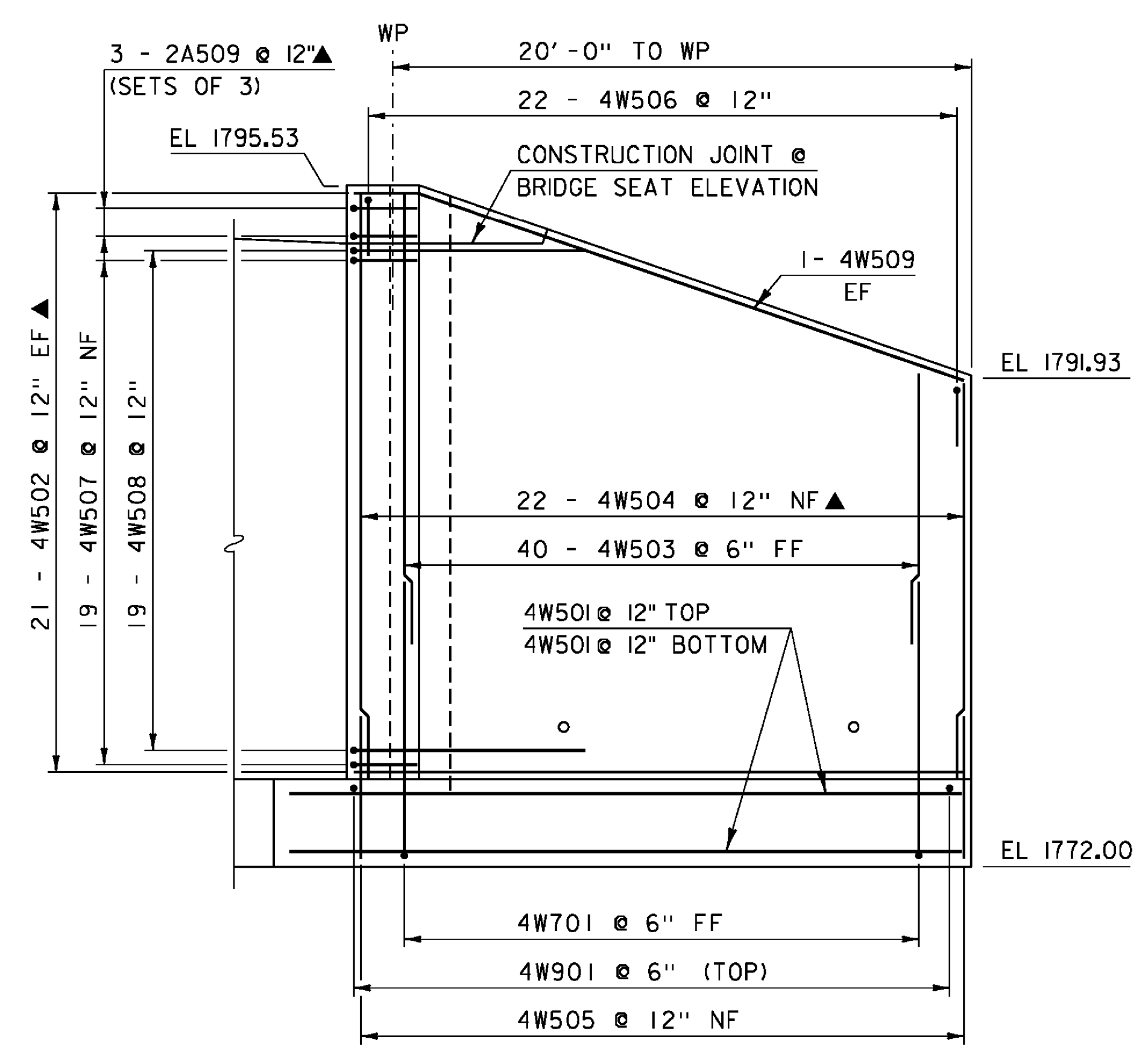
WINGWALL #1 ELEVATION

SCALE: 1/4" = 1'-0"



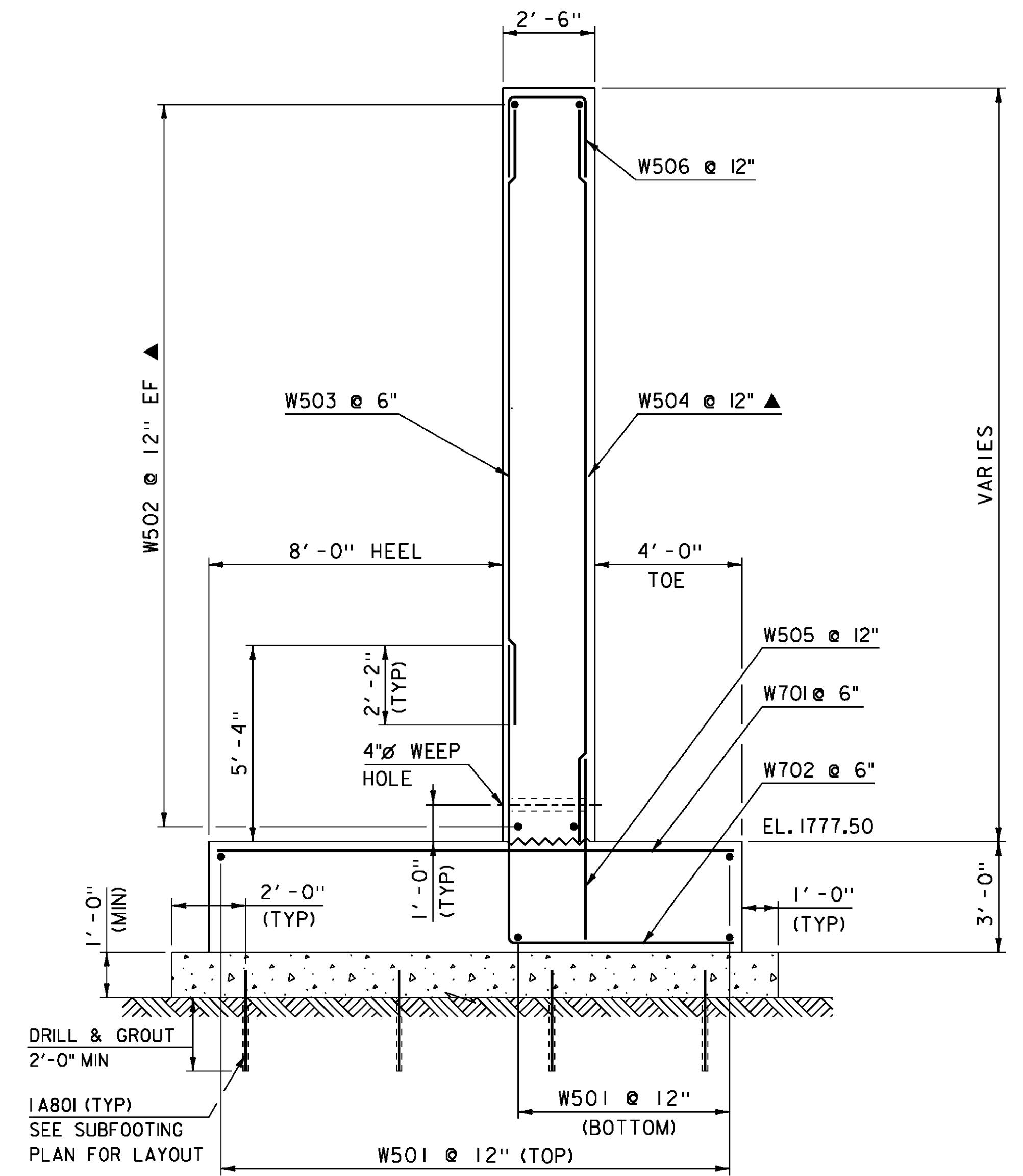
WINGWALL #3 ELEVATION

SCALE: 1/4" = 1'-0"



WINGWALL #4 ELEVATION

SCALE: 1/4" = 1'-0"



WINGWALL #1&2 SECTION (TYP)

SCALE: 3/8" = 1'-0"

NOTE:
 NF = NEAR FACE
 FF = FAR FACE
 EF = EACH FACE
 ▲ = CUT TO FIT IN FIELD
 3" CLEAR, UNLESS OTHERWISE SPECIFIED ON THE PLANS.
 2'-2" BAR LAP UNLESS OTHERWISE SPECIFIED ON THE PLANS.

KEY	DATE	BY	REVISION
Δ	08/12/2016	VAOT	MODIFIED WINGWALL #2.

PROJECT NAME:	STAMFORD	PLOT DATE:	12-AUG-2016
PROJECT NUMBER:	STP 1441(29)	DRAWN BY:	D. KARABEGOVIC
FILE NAME:	s96j226sub.dgn	DESIGNED BY:	F. BARROWS
PROJECT LEADER:	C.W. CARLSON	CHECKED BY:	H. SALLS
DESIGNED BY:	F. BARROWS	SHEET	25A OF 44
WINGWALLS			