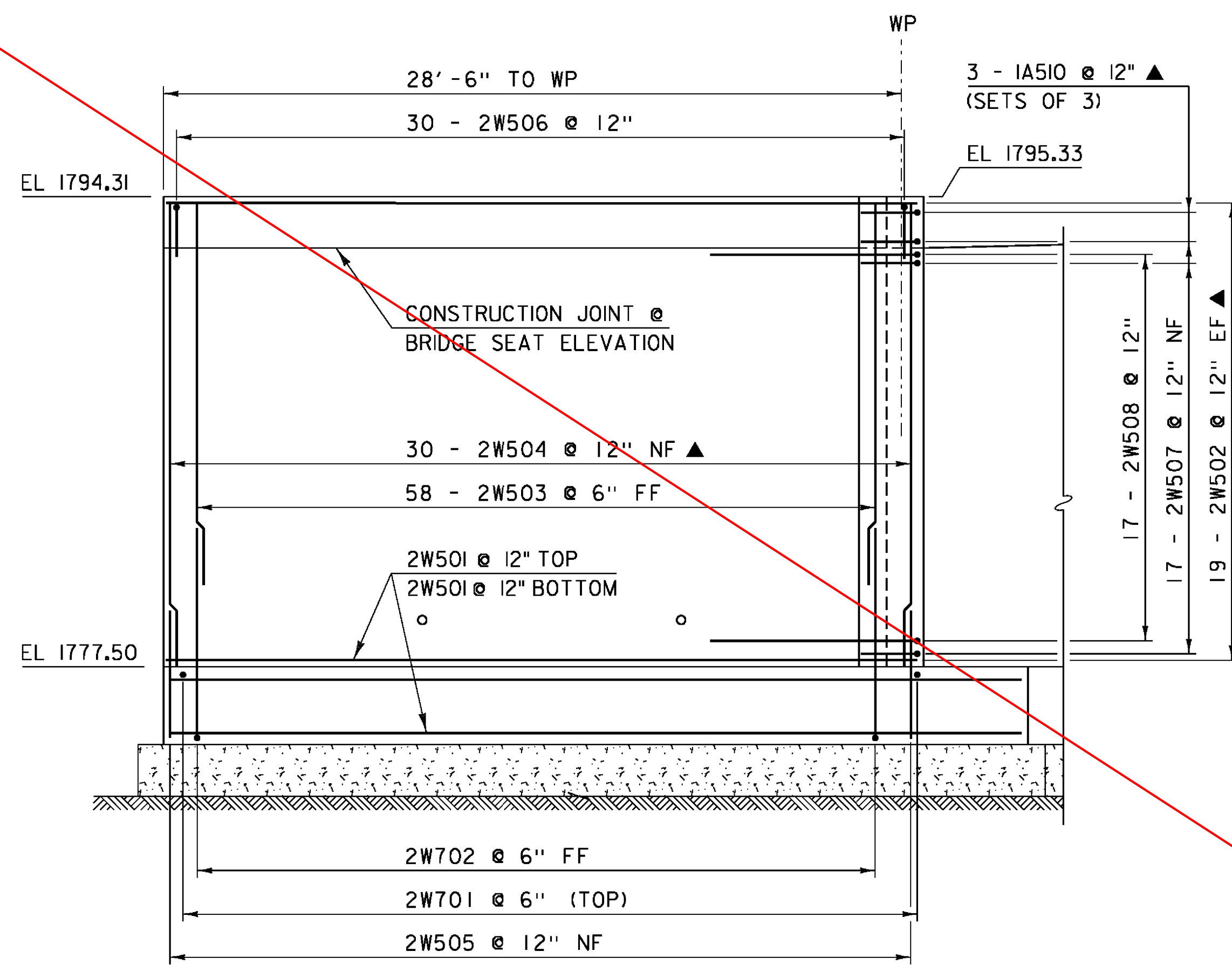
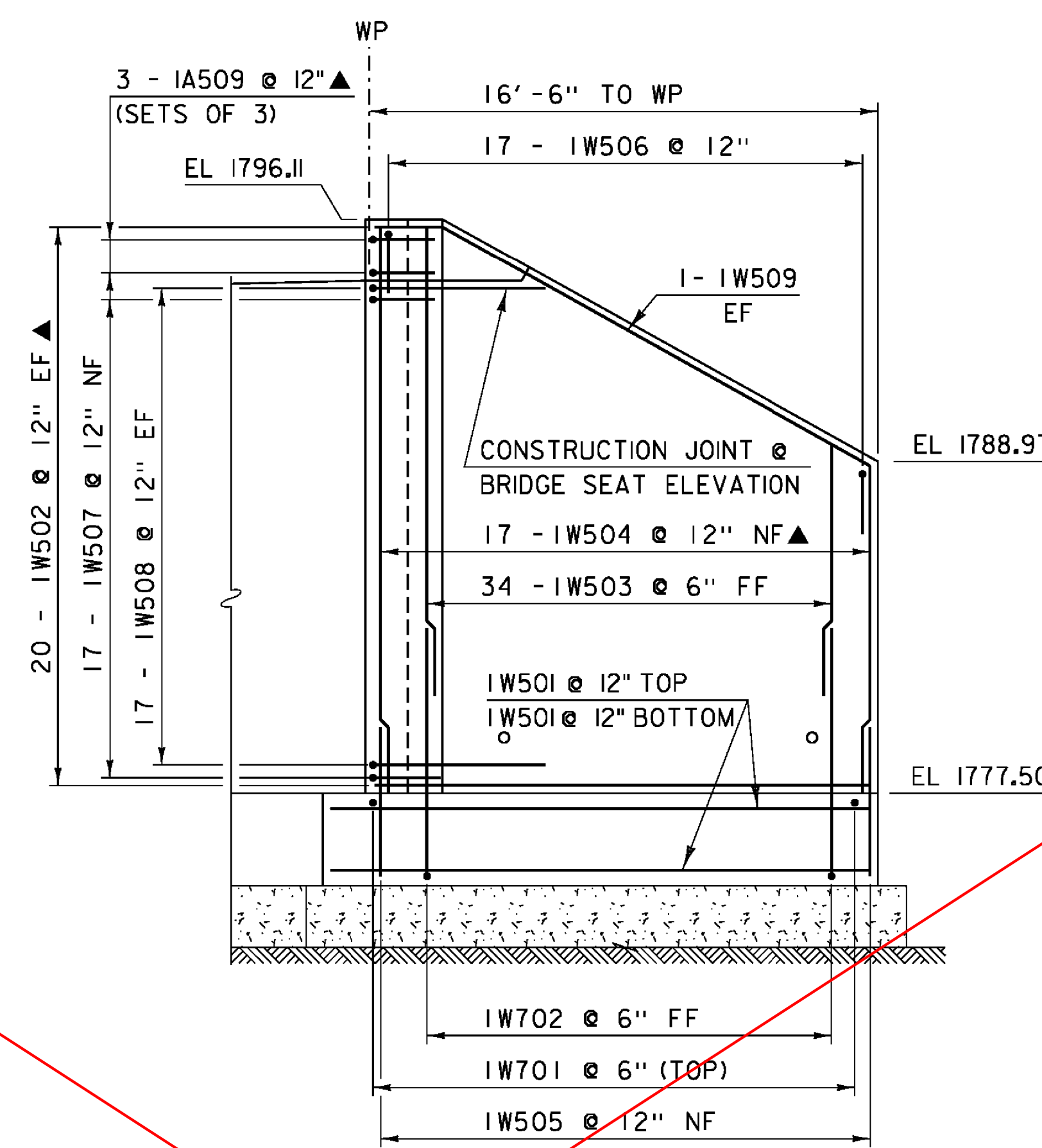


SEE ATTACHED
REVISED SHEET 25A

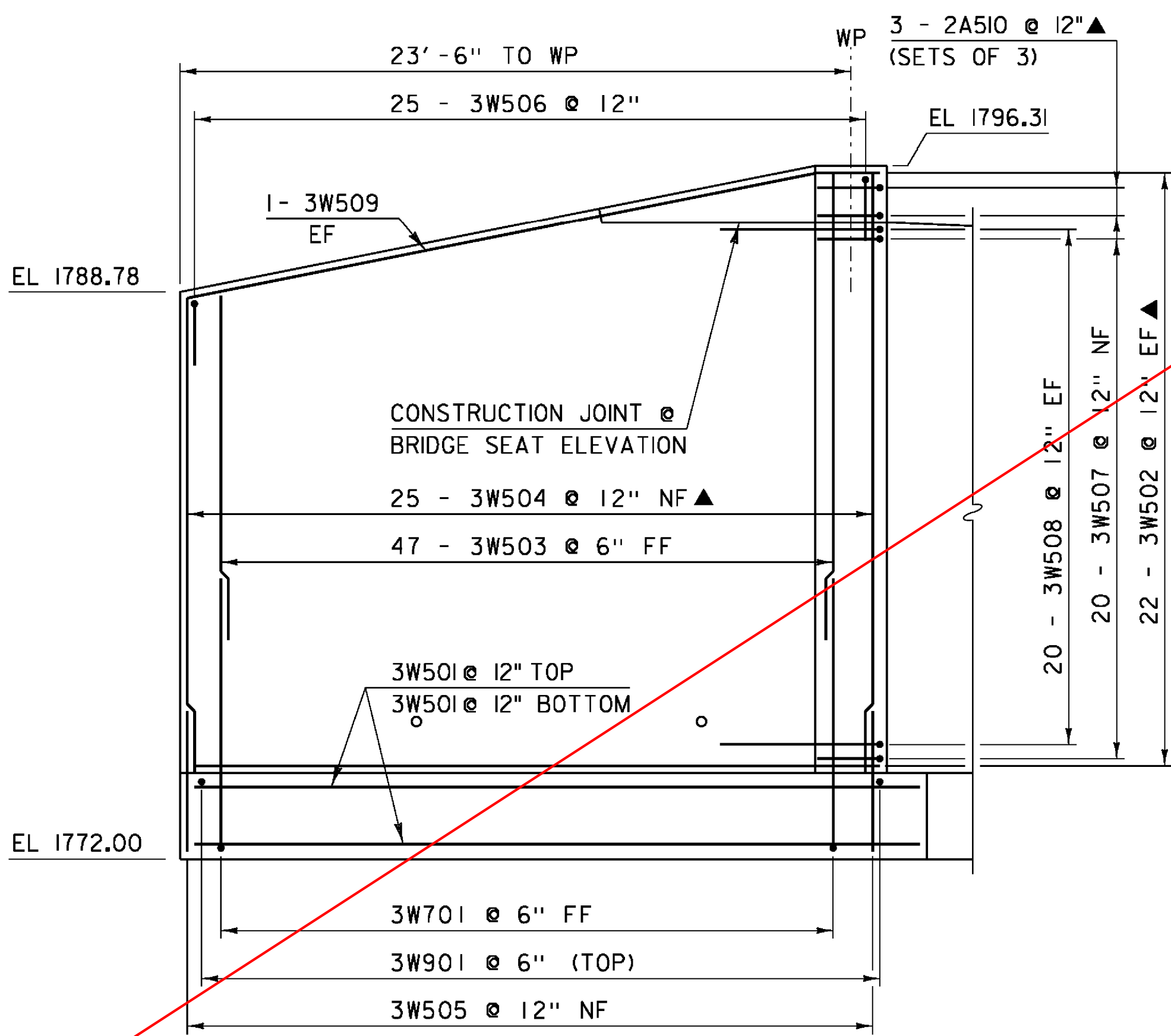


WINGWALL #2 ELEVATION



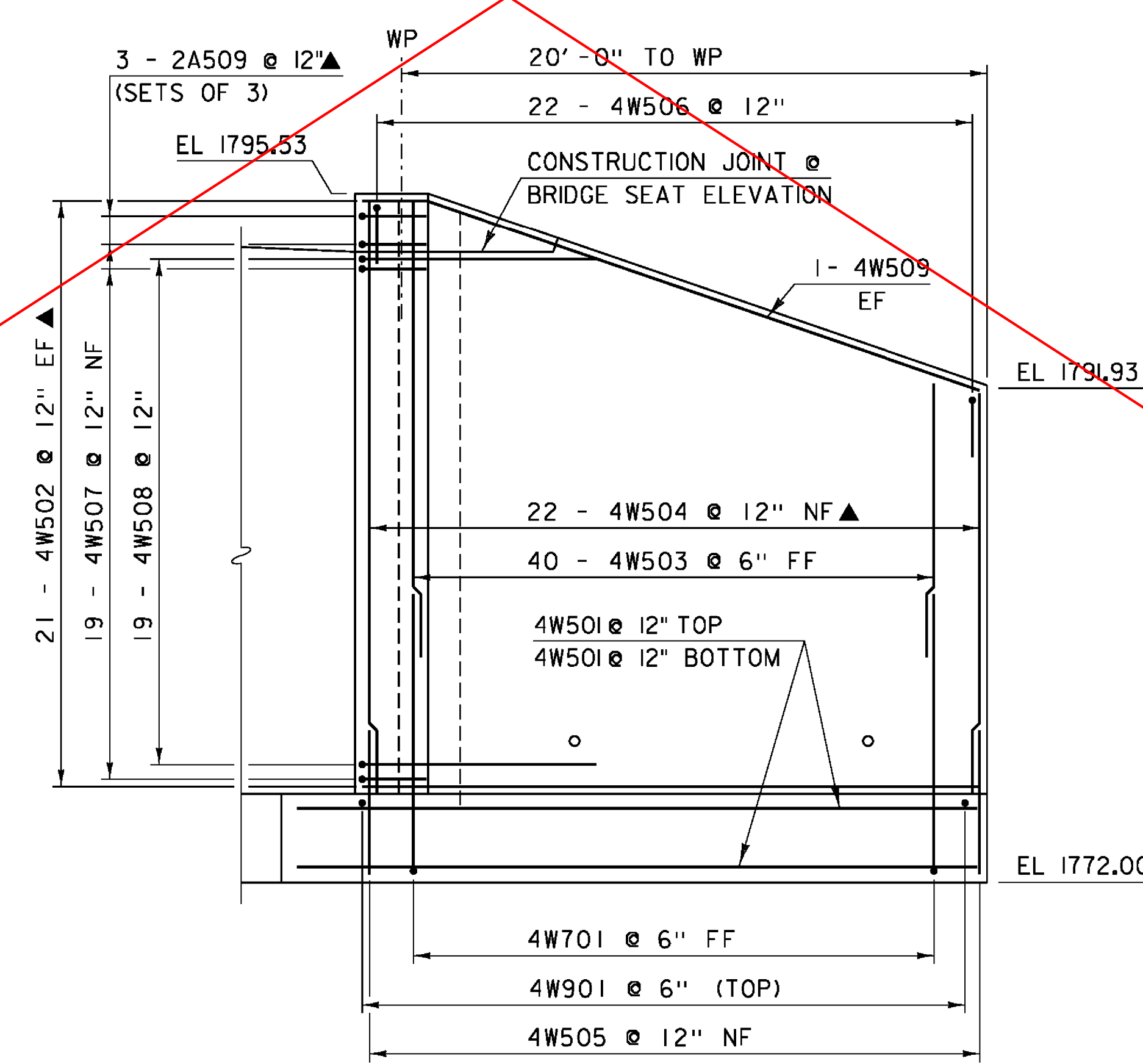
WINGWALL #1 ELEVATION

SCALE: 1/4" = 1'-0"



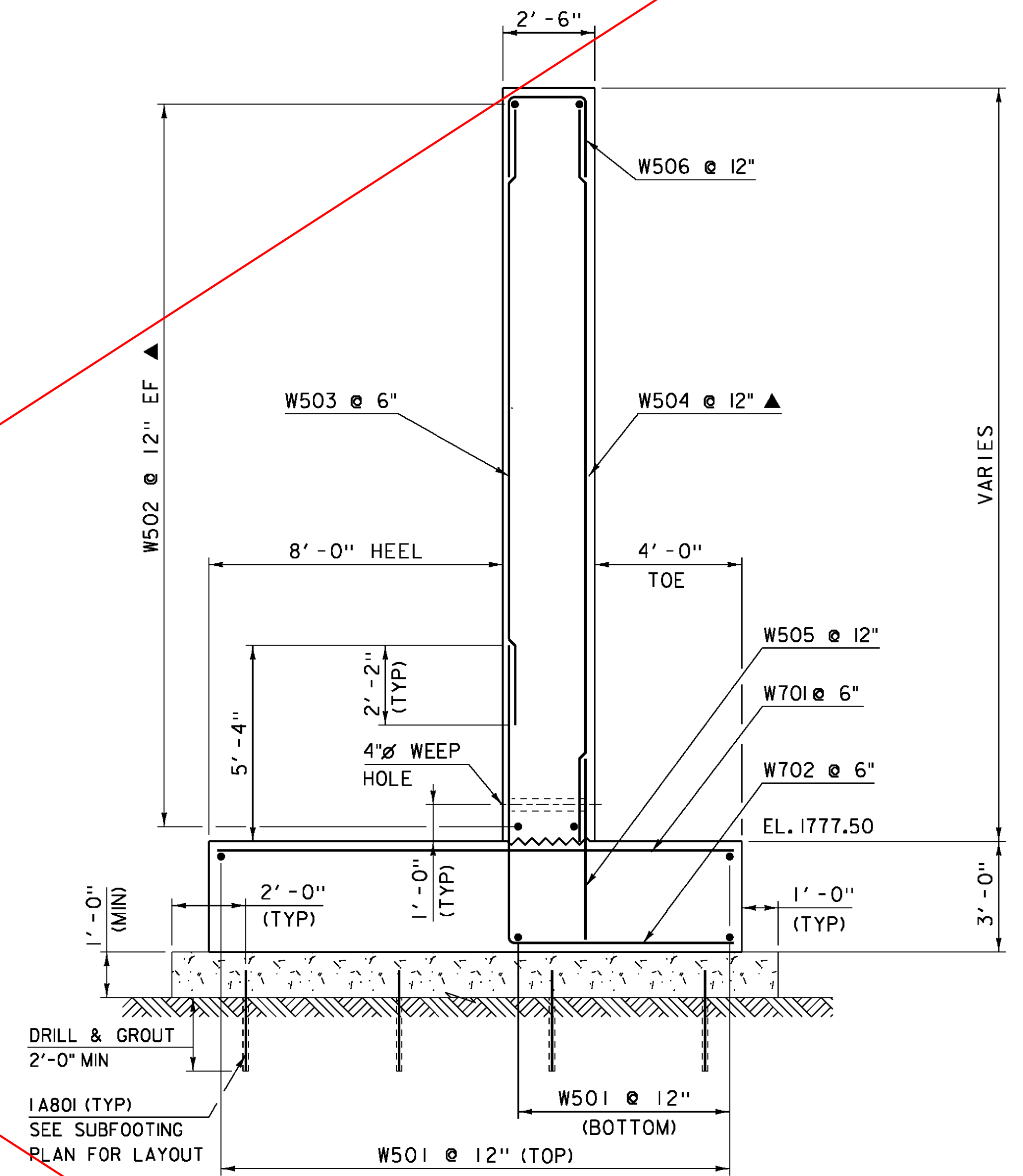
WINGWALL #3 ELEVATION

SCALE: 1/4" = 1'-0"



WINGWALL #4 ELEVATION

SCALE: 1/4" = 1'-0"



WINGWALL #1&2 SECTION (TYP)

SCALE: 3/8" = 1'-0"

NOTE:
 NF = NEAR FACE
 FF = FAR FACE
 EF = EACH FACE
 ▲ = CUT TO FIT IN FIELD
 3" CLEAR, UNLESS OTHERWISE SPECIFIED ON THE PLANS.
 2'-2" BAR LAP UNLESS OTHERWISE SPECIFIED ON THE PLANS.

PROJECT NAME:	STAMFORD	PLOT DATE:	24-DEC-2015
PROJECT NUMBER:	STP 1441(29)	DRAWN BY:	D. KARABEGOVIC
FILE NAME:	s96j226sub.dgn	DESIGNED BY:	F. BARROWS
PROJECT LEADER:	C.W. CARLSON	CHECKED BY:	H. SALLS
WINGWALLS		SHEET	25 OF 44