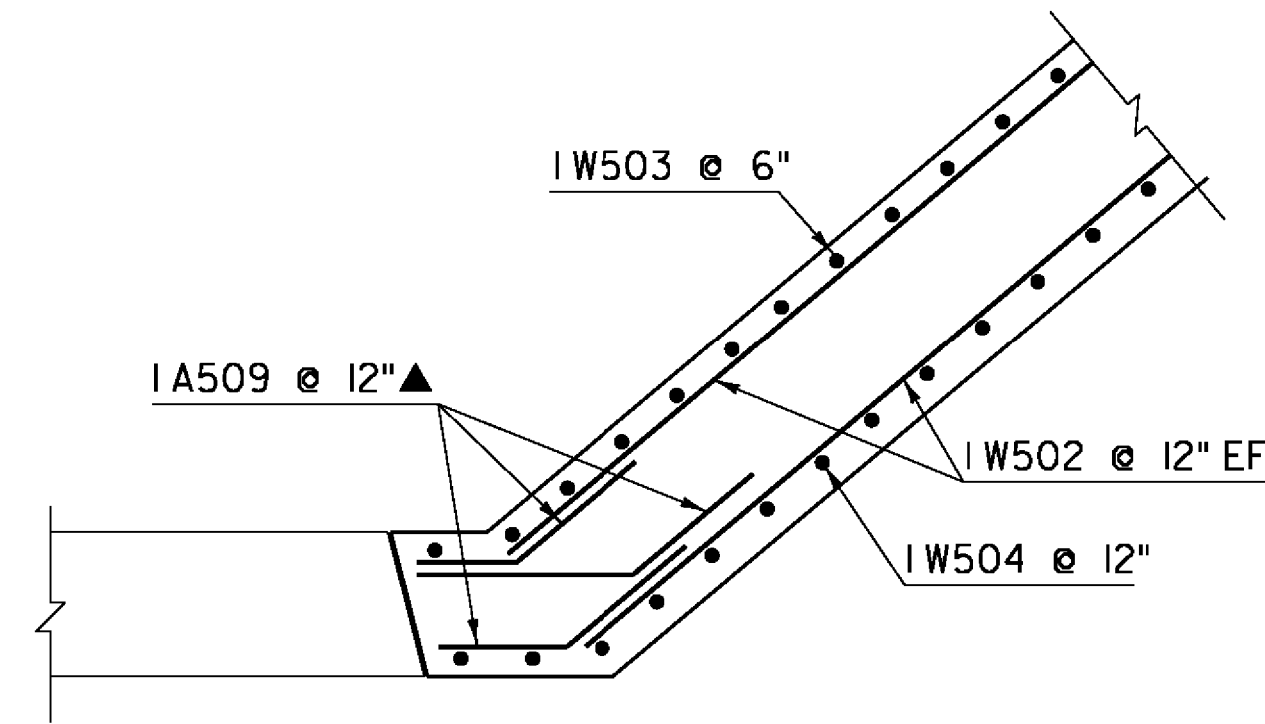
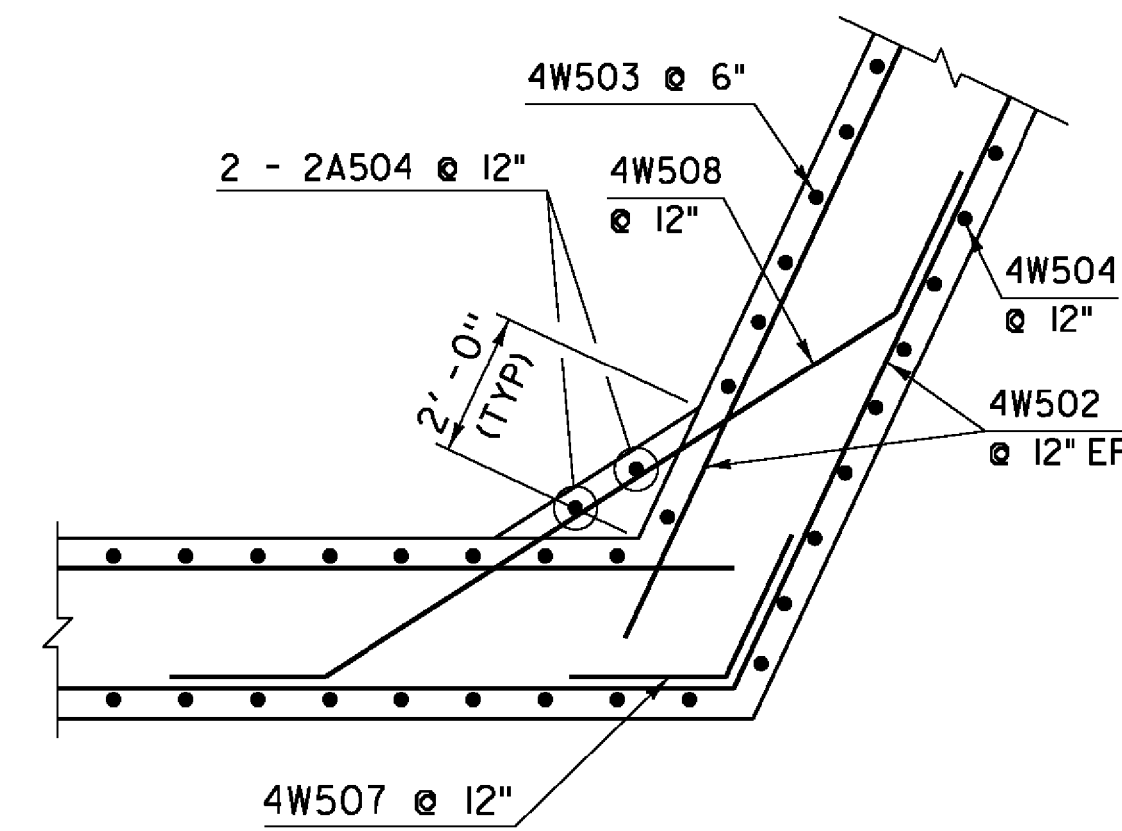


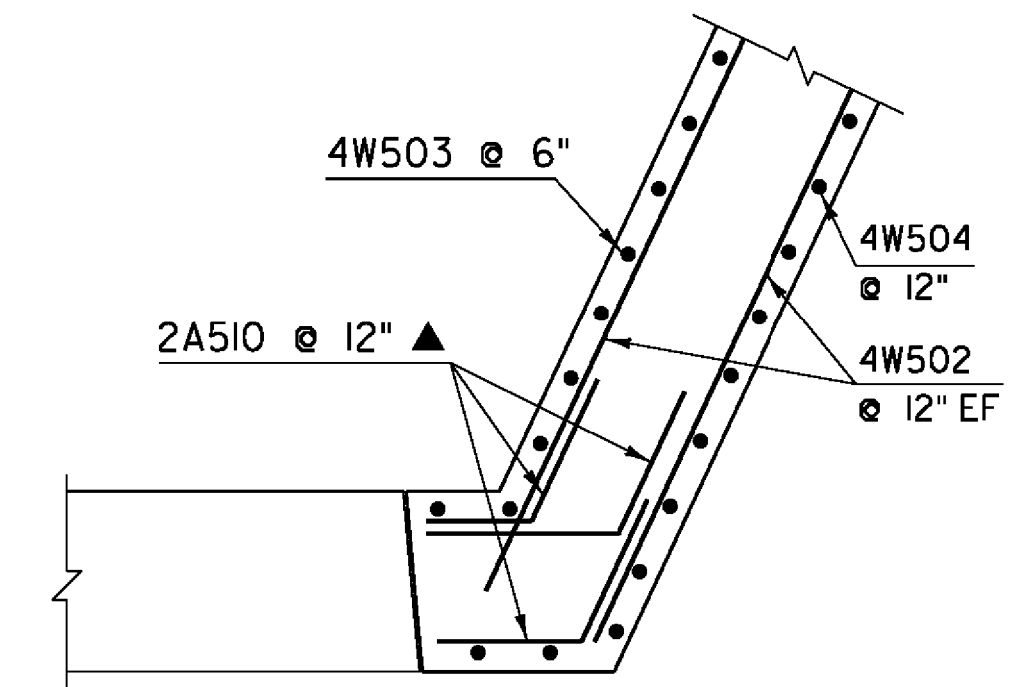
CORNER DETAILS BELOW
BRIDGE SEAT AT WINGWALL #1
SCALE: 3/8" = 1'-0"
(WINGWALL #3 SIMILAR)



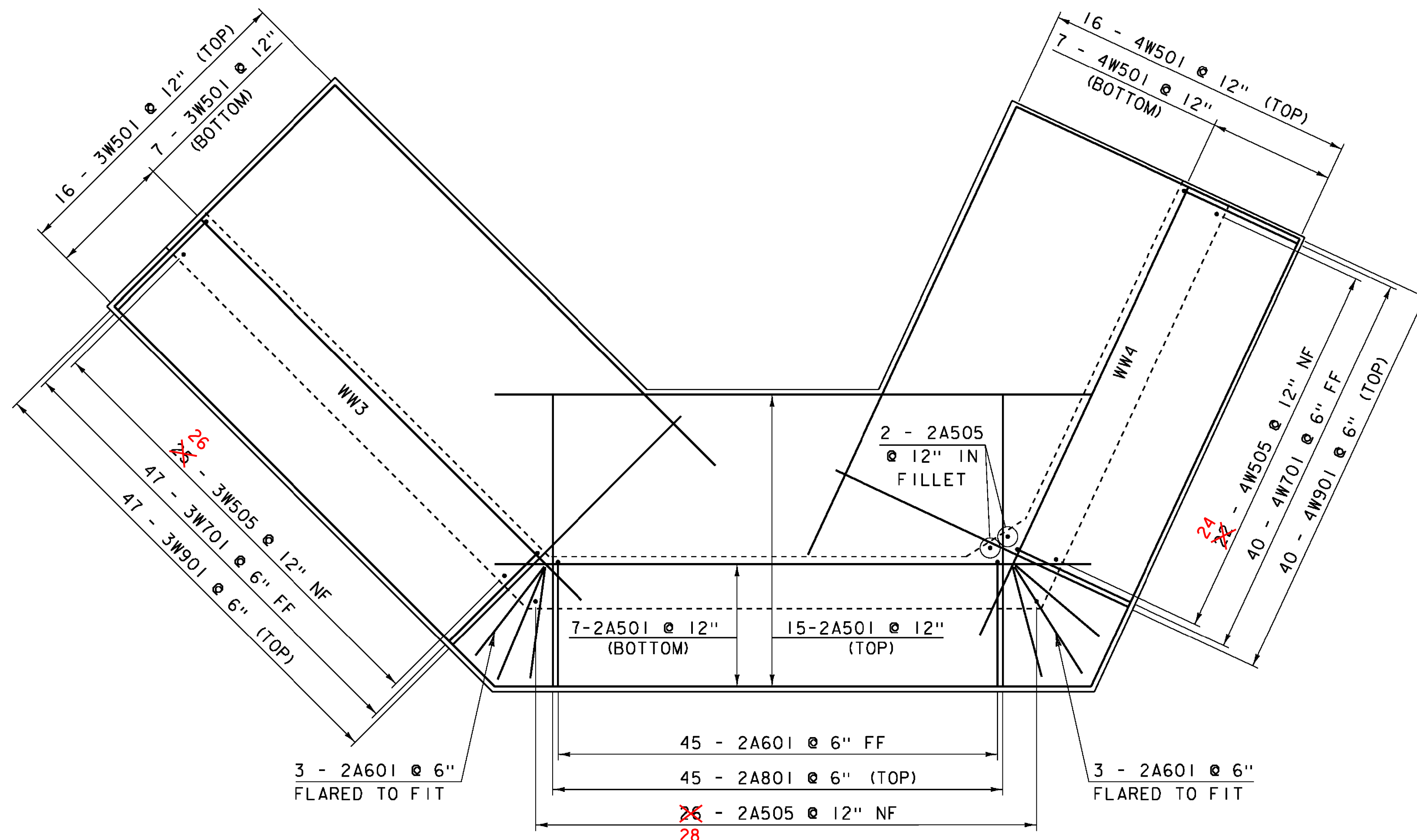
CORNER DETAILS ABOVE
BRIDGE SEAT AT WINGWALL #1
SCALE: 3/8" = 1'-0"
(WINGWALL #3 SIMILAR)



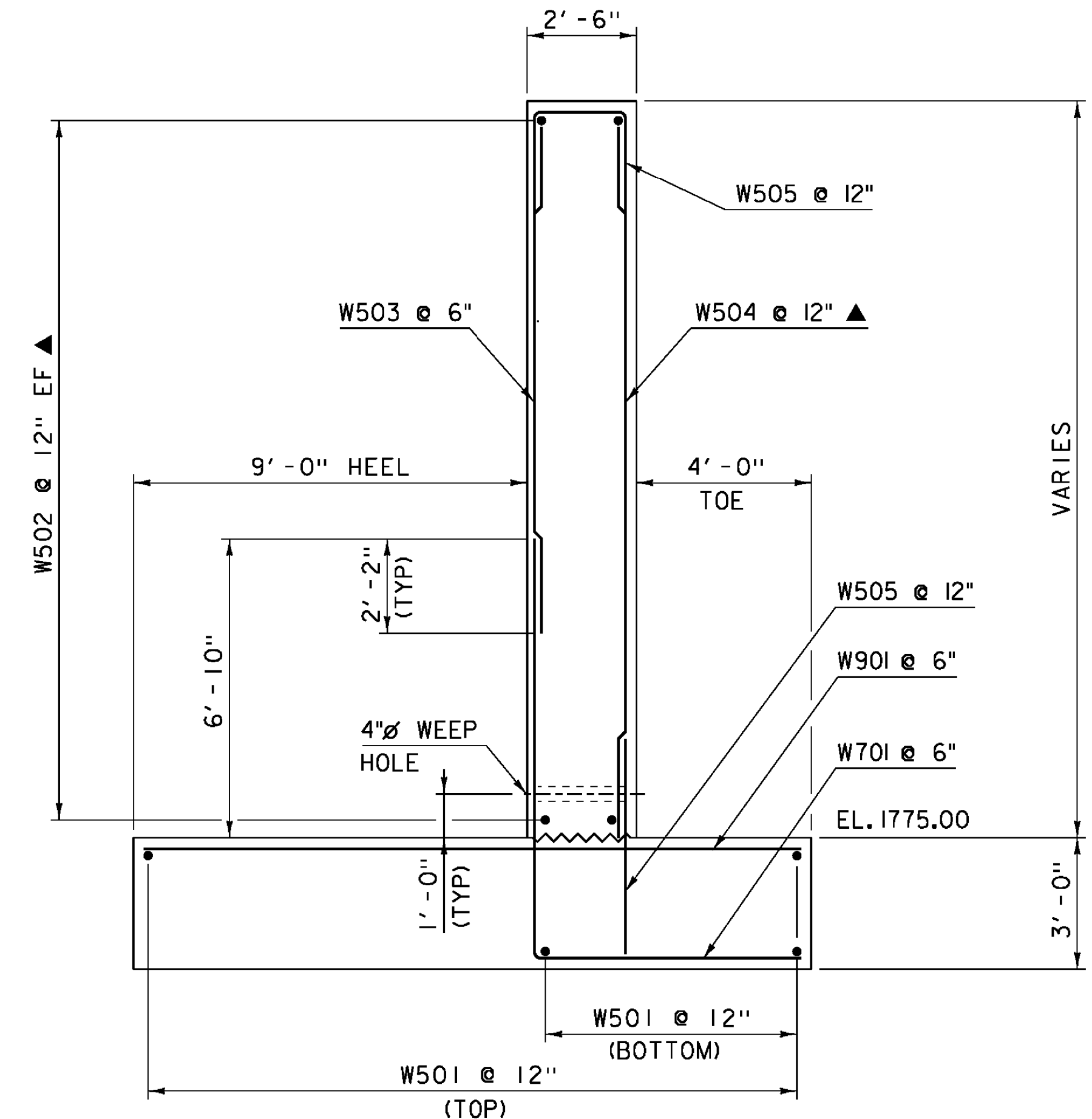
CORNER DETAILS BELOW
BRIDGE SEAT AT WINGWALL #4
SCALE: 3/8" = 1'-0"
(WINGWALL #2 SIMILAR)



CORNER DETAILS ABOVE
BRIDGE SEAT AT WINGWALL #4
SCALE: 3/8" = 1'-0"
(WINGWALL #2 SIMILAR)



ABUTMENT #2 FOOTING REINFORCING PLAN
SCALE: 1/4" = 1'-0"



WINGWALL #3 & 4 SECTION (TYP)
SCALE: 3/8" = 1'-0"

NOTE:

- NF = NEAR FACE
- FF = FAR FACE
- EF = EACH FACE
- ▲ = CUT TO FIT IN FIELD
- 3" CLEAR, UNLESS OTHERWISE SPECIFIED ON THE PLANS.
- 2' - 2" BAR LAP UNLESS OTHERWISE SPECIFIED ON THE PLANS.

PROJECT NAME:	STAMFORD	PLOT DATE:	24-DEC-2015
PROJECT NUMBER:	STP 1441(29)	DRAWN BY:	D. KARABEGOVIC
FILE NAME:	s96j226sub.dgn	DESIGNED BY:	F. BARROWS
PROJECT LEADER:	C. W. CARLSON	CHECKED BY:	H. SALLS
ABUTMENT #2 FOOTING PLAN & DETAILS		SHEET 24 OF 44	