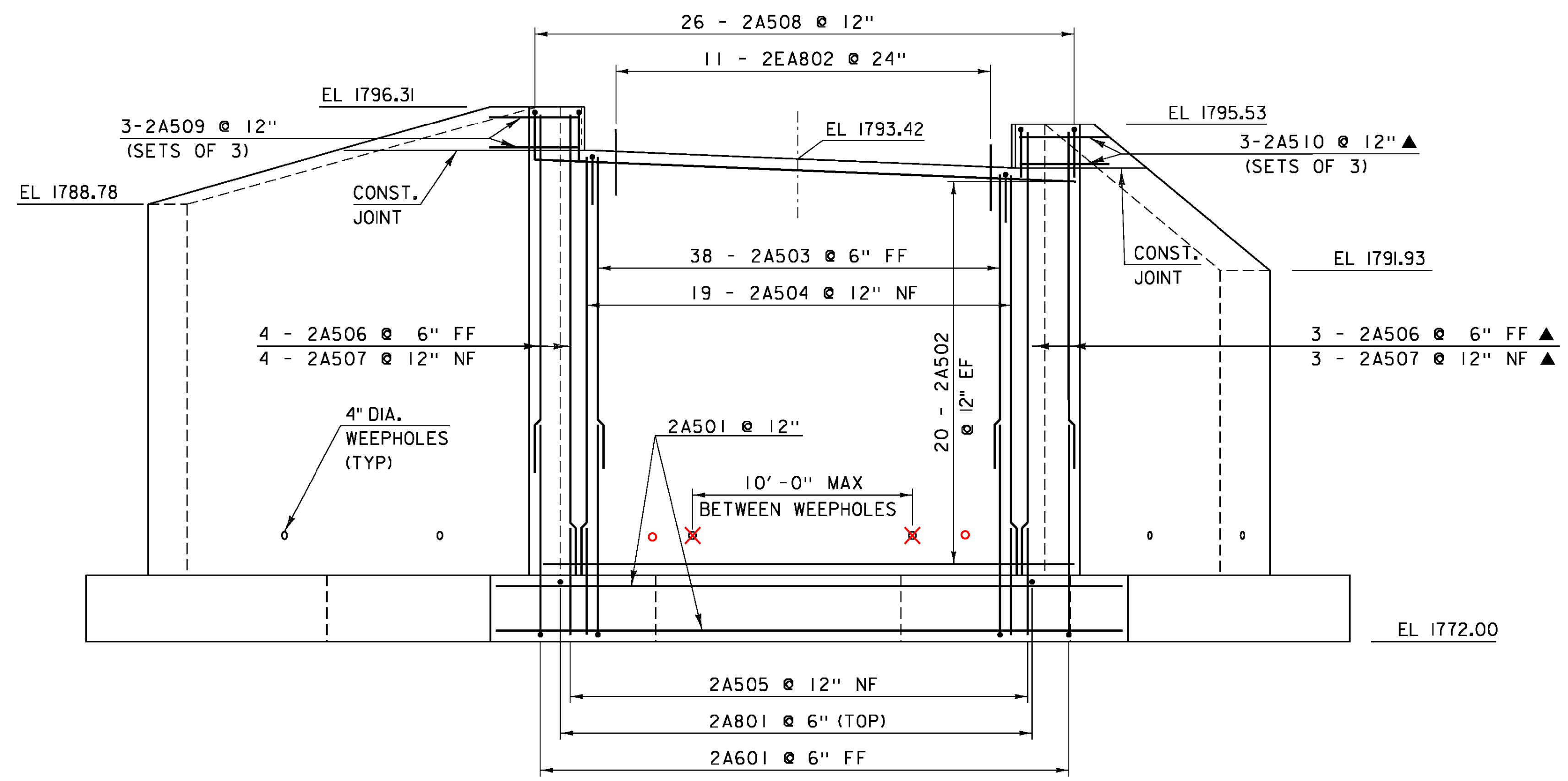


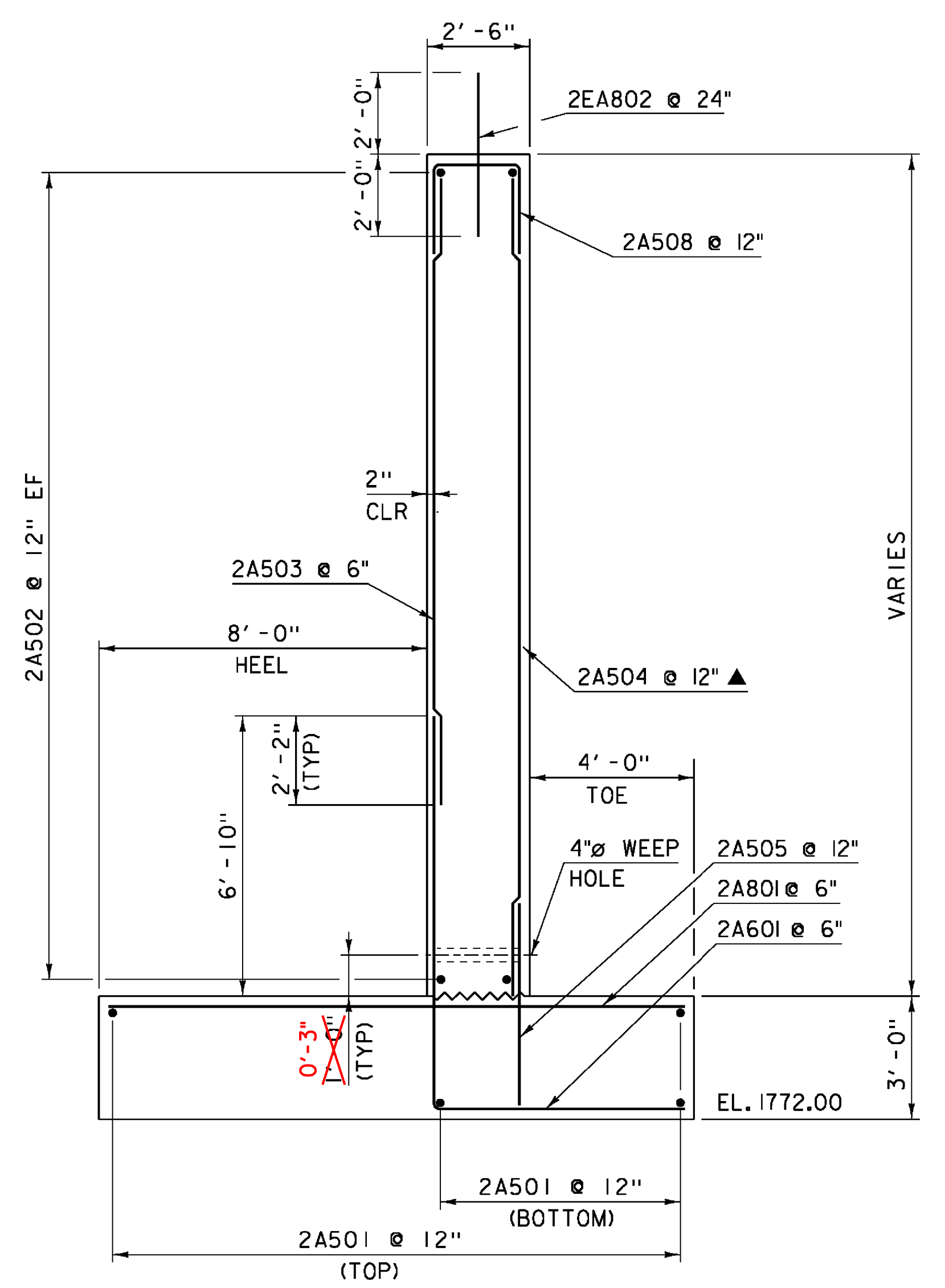
ABUTMENT #2 PLAN

SCALE: 1/4" = 1'-0"



ABUTMENT #2 ELEVATION

SCALE: 1/4" = 1'-0"



ABUTMENT #2 SECTION

SCALE: 3/8" = 1'-0"

NOTE:
 NF = NEAR FACE
 FF = FAR FACE
 EF = EACH FACE
 ▲ = CUT TO FIT IN FIELD
 3" CLEAR, UNLESS OTHERWISE SPECIFIED ON THE PLANS.
 2' - 2" BAR LAP UNLESS OTHERWISE SPECIFIED ON THE PLANS.

PROJECT NAME: STAMFORD	PLOT DATE: 24-DEC-2015
PROJECT NUMBER: STP 1441(29)	DRAWN BY: D. KARABEGOVIC
FILE NAME: s96j226sub.dgn	CHECKED BY: H. SALLS
PROJECT LEADER: C.W. CARLSON	SHEET 22 OF 44
DESIGNED BY: F. BARROWS	
ABUTMENT #2 PLAN, ELEVATION & DETAILS	