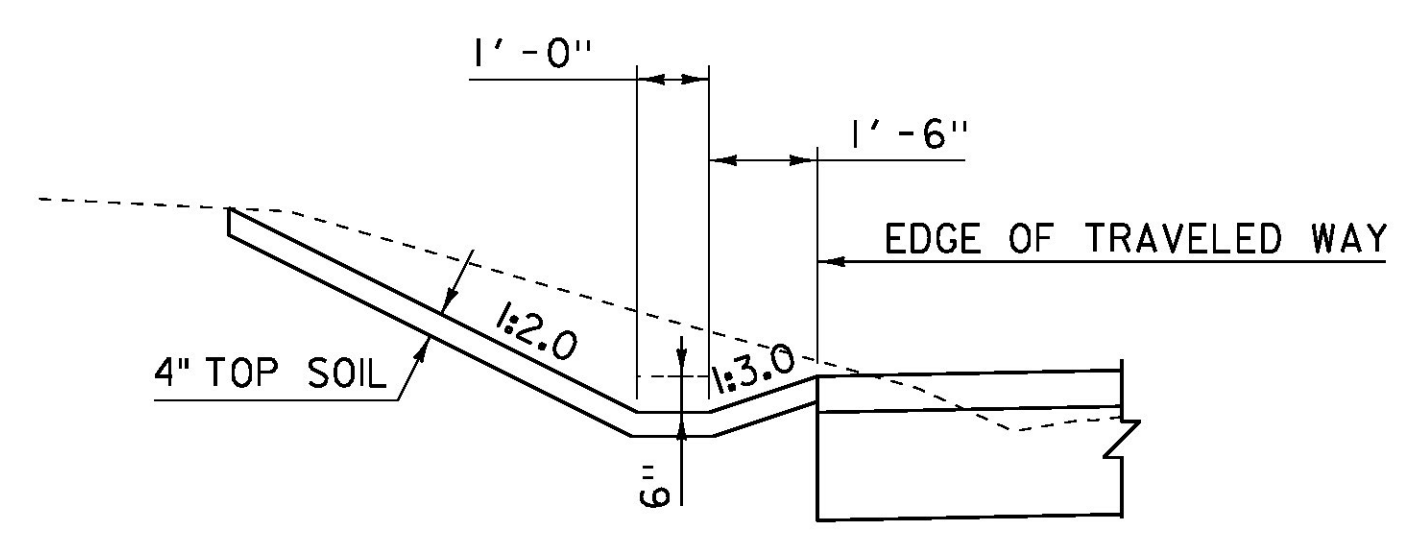
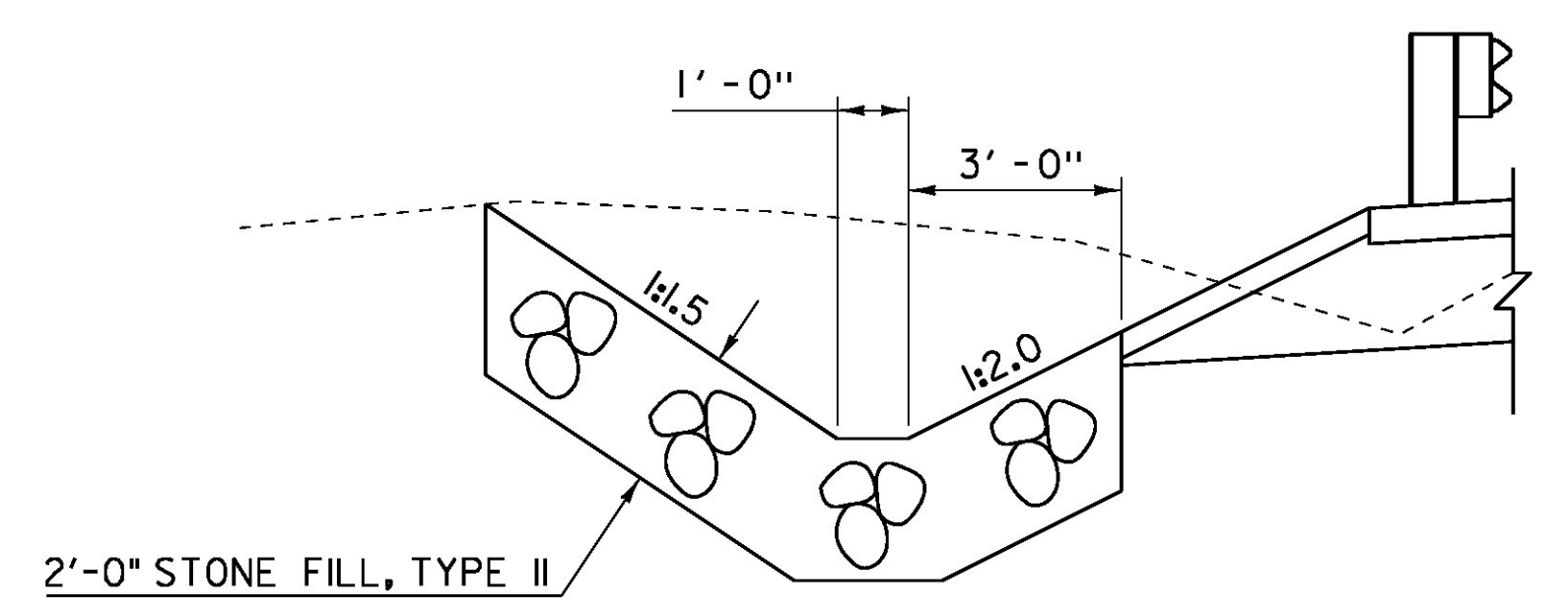


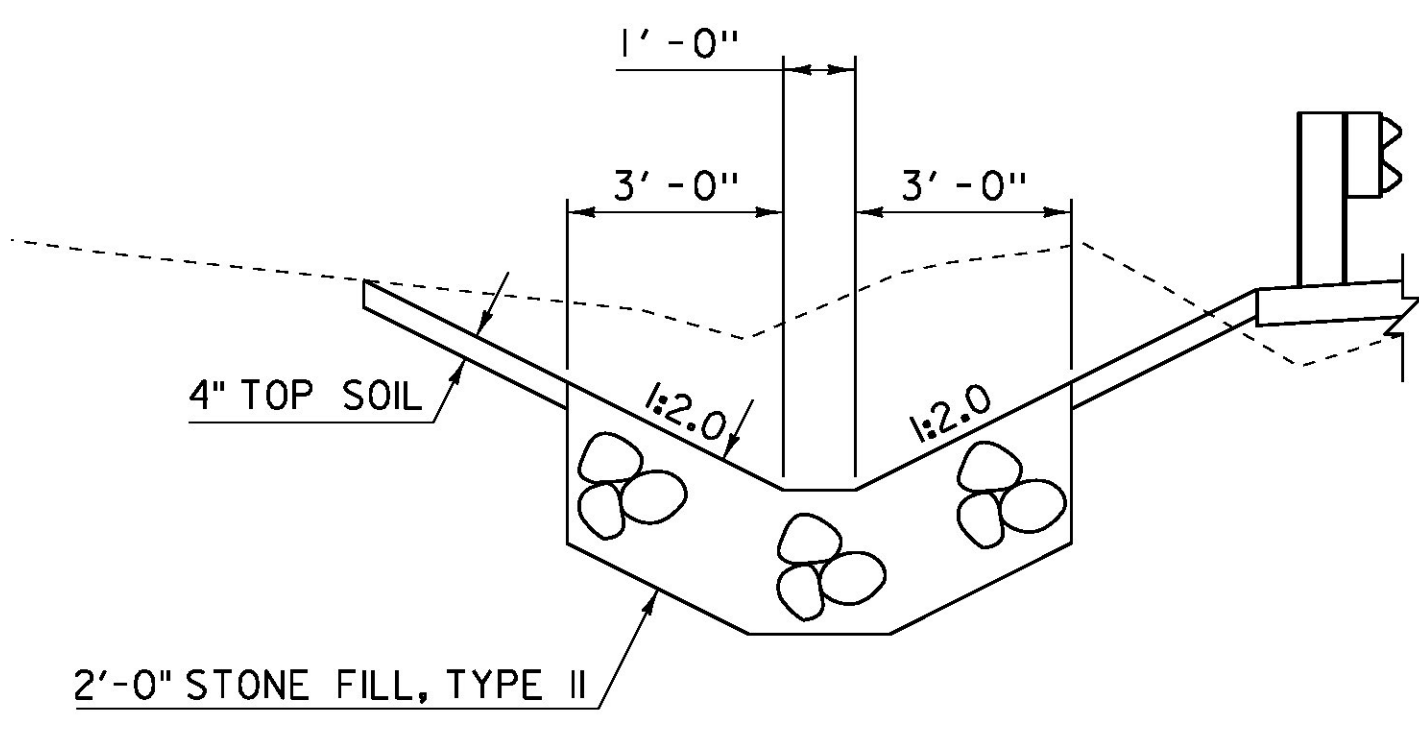
ROADWAY TYPICAL SECTION
SCALE 3/8" = 1'-0"



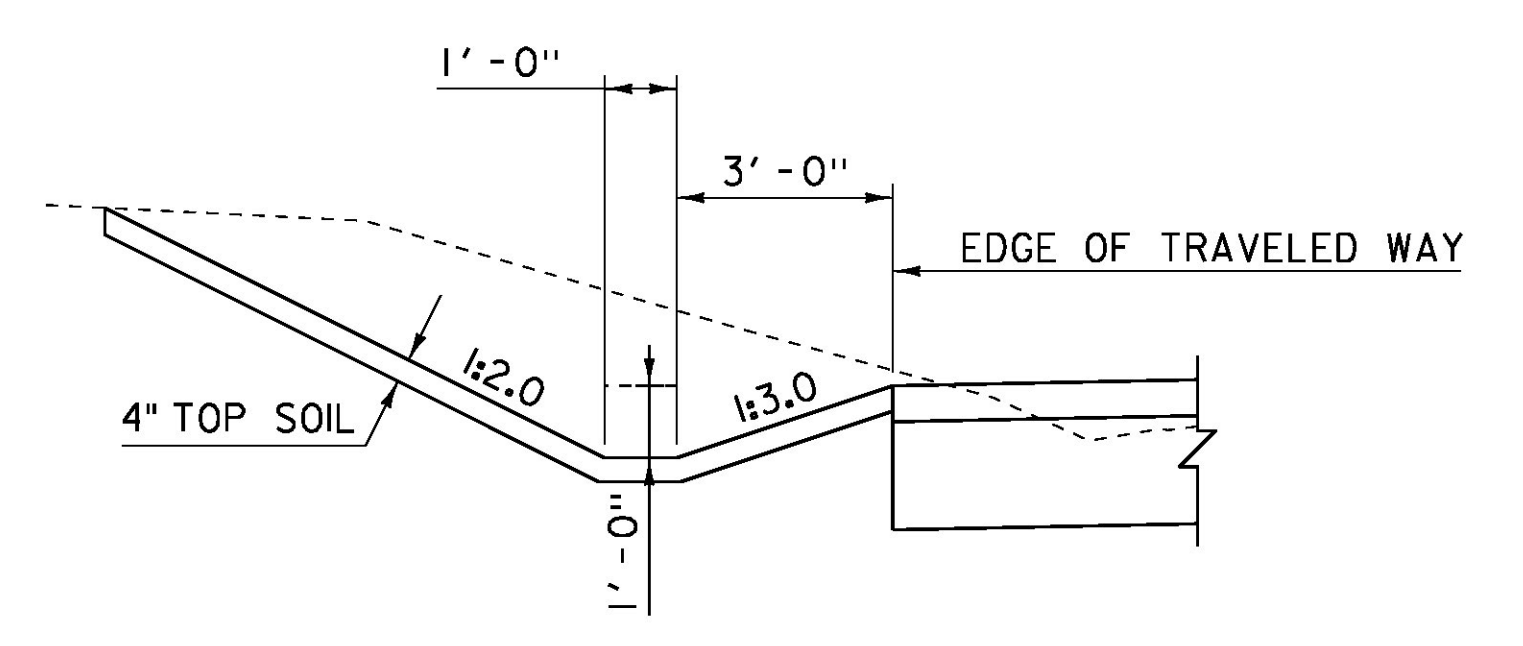
DITCH TYPICAL A
SCALE 3/8" = 1'-0"
(STA. 9+75.00 LT TO 10+76.50 LT)



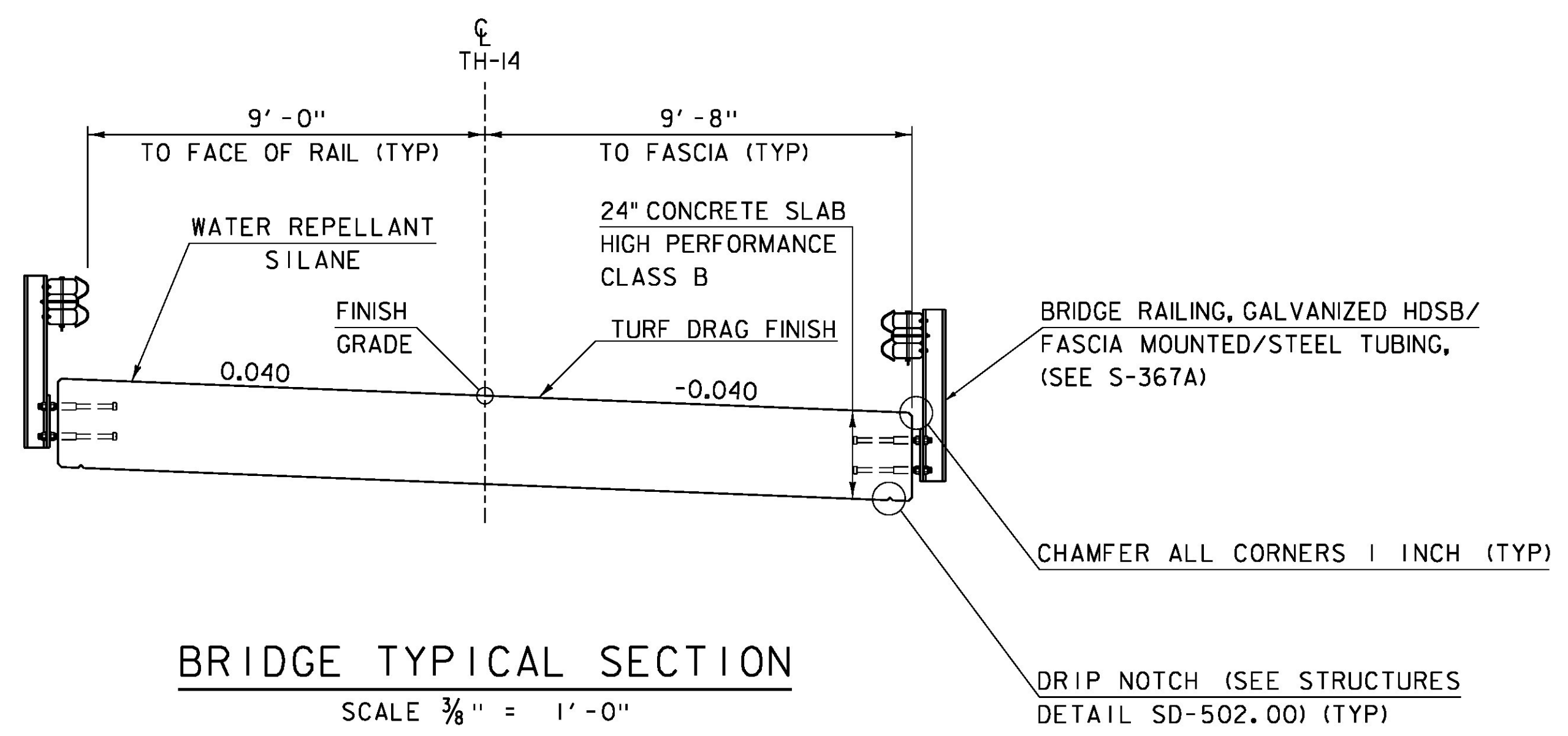
DITCH TYPICAL B
SCALE 3/8" = 1'-0"
(STA. 10+76.50 LT TO 11+25.00 LT)



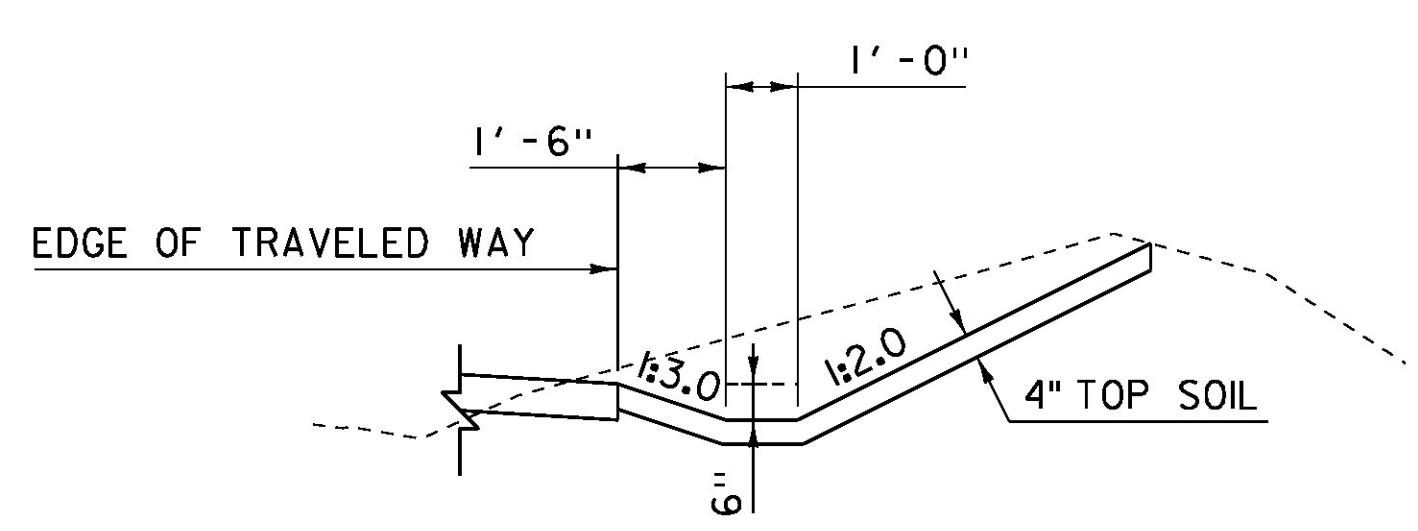
DITCH TYPICAL C
SCALE 3/8" = 1'-0"
(STA. 11+69.00 LT TO 11+91.75 LT)



DITCH TYPICAL D
SCALE 3/8" = 1'-0"
(STA. 11+91.75 LT TO 12+79.00 LT)



BRIDGE TYPICAL SECTION
SCALE 3/8" = 1'-0"



DITCH TYPICAL E
SCALE 3/8" = 1'-0"
(STA. 10+35.00 RT TO 10+75.00 RT)

MATERIAL TOLERANCES (IF USED ON PROJECT)	
SURFACE	
- PAVEMENT (TOTAL THICKNESS)	+/- 1/4"
- AGGREGATE SURFACE COURSE	+/- 1/2"
SUBBASE	+/- 1"
SAND BORROW	+/- 1"

PROJECT NAME:	STAMFORD
PROJECT NUMBER:	STP 144(29)
FILE NAME:	s96j226typ.dgn
PROJECT LEADER:	C. W. CARLSON
DESIGNED BY:	H. SALLS
TYPICAL SECTIONS 1	
PLOT DATE:	24-DEC-2015
DRAWN BY:	G. ROKES
CHECKED BY:	H. SALLS
SHEET	3 OF 44