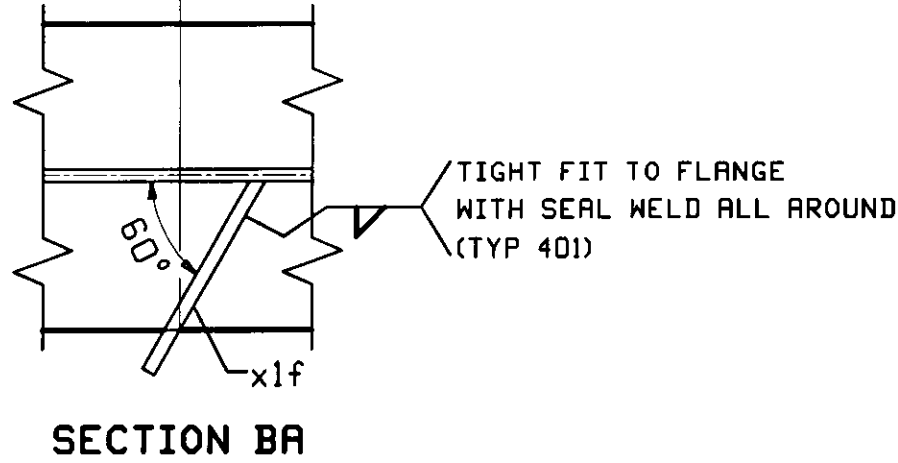
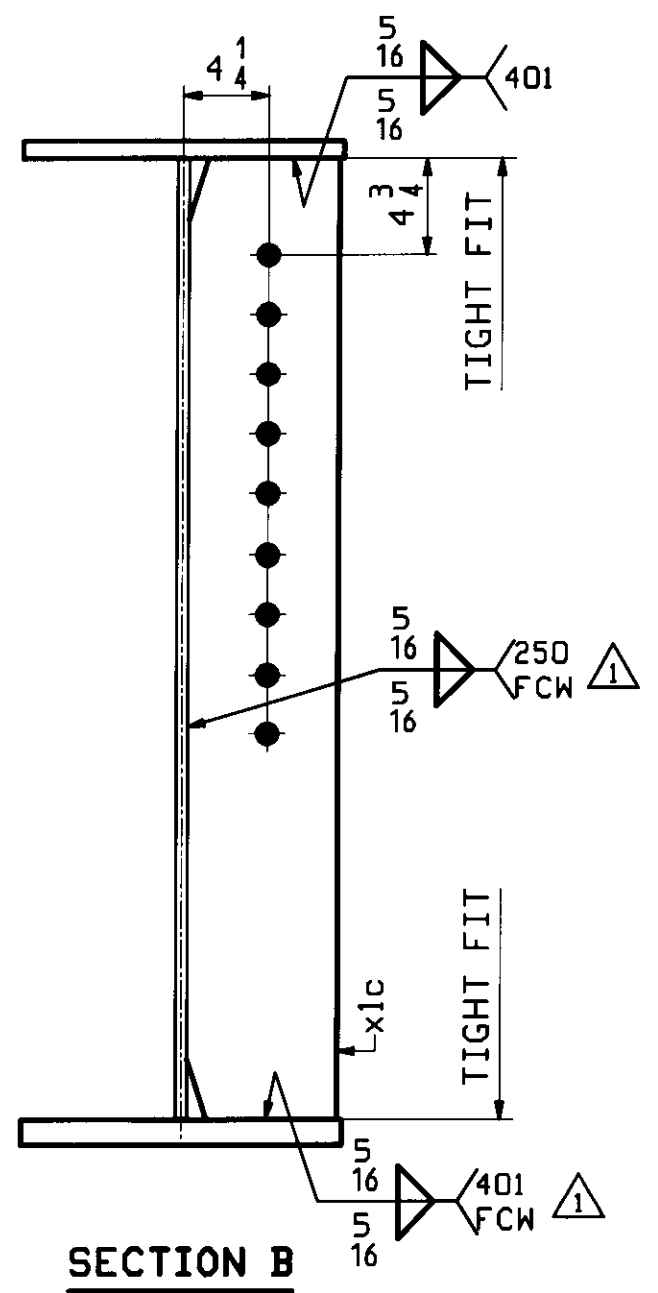
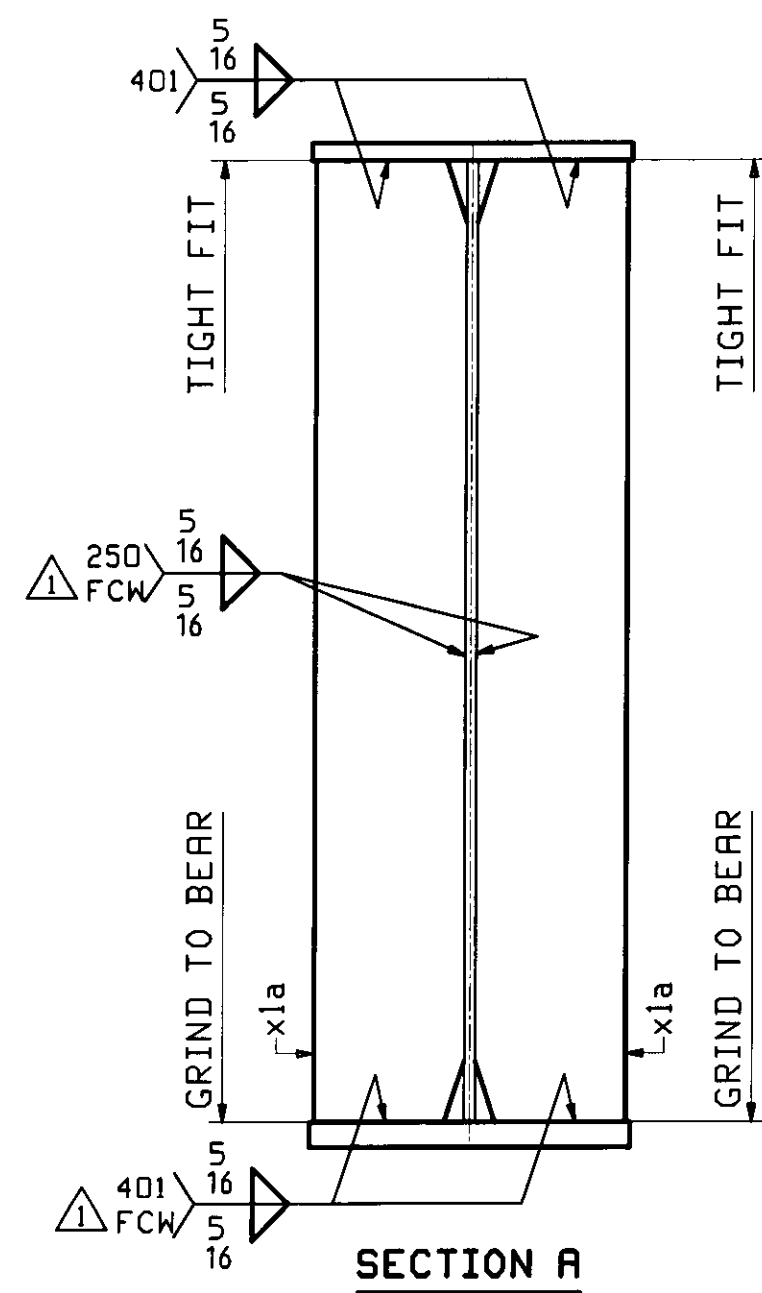
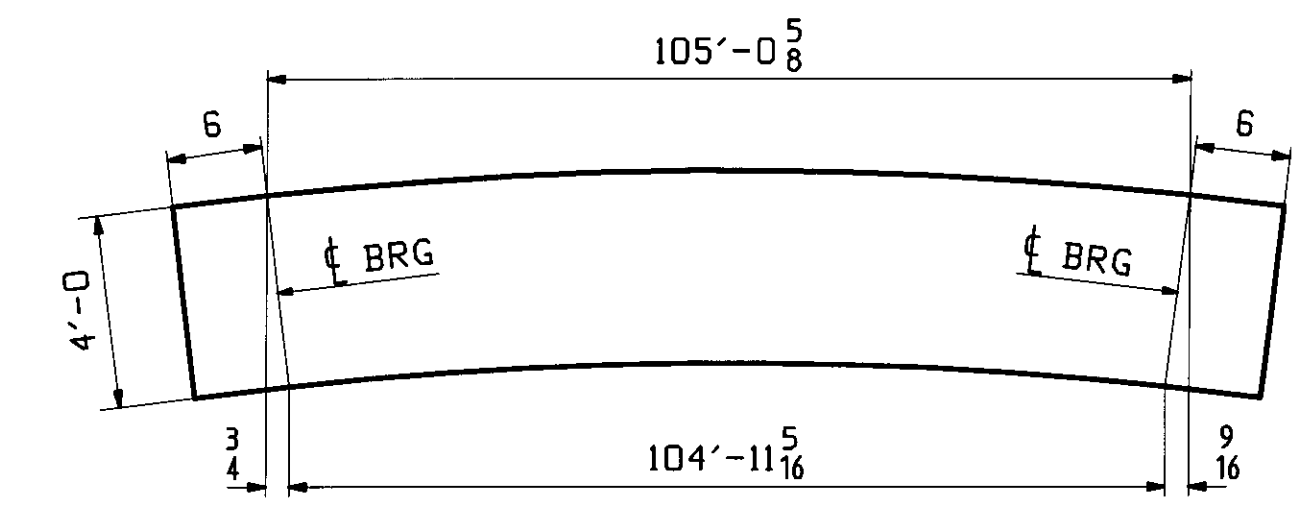
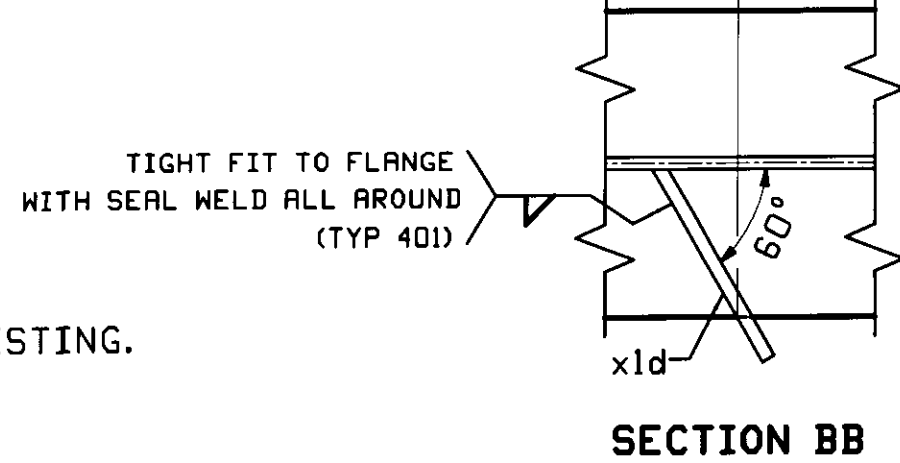


ABM INFO		SHIP				BILL OF MATERIAL		JOB NO.	DRAWING NO.	REV.
		3G3						437	3	
PAGE	LINE	MARK	QTY	MARK	MATERIAL	LENGTH		REMARKS	WT	PROCUREMENT NOTES
						FT	INCHES			
									22681	
1	G		1	wa	PL 9/16x48	45	0 9/16	(F2)		
1	E		1	wb	PL 9/16x48	61	0 15/16	(F2)		
1	L		1	ta	PL 7/8x16	48	0			
1	J		1	tb	PL 7/8x16	58	0 5/8			
1	C		1	ba	PL 1/4x16	48	0	(F2)		
1	A		1	bb	PL 1/4x16	57	11 5/16	(F2)		
2	B		4	x1a	PL 3/4x7 1/2	4	0	MIE		
2	C		7	x1c	PL 2x7 1/2	4	0			
2	D		1	x1d	PL 4x3 1/2	0	11			
2	D		1	x1f	PL 1/4x3 1/2	0	11			



ONE - GIRDER - 3G3

FOR GIRDER STANDARDS SEE DRAWING X1.
 FOR CAMBER & FLANGE DIAGRAMS SEE DRAWING WS1.
 FOR GENERAL NOTES SEE DRAWING GNI.
 (F2) DENOTES MATERIAL SUBJECT TO FRACTURE CRITICAL TESTING.



ORIENTATION DIAGRAM FOR CAMBER SEE DWG WS1

1/18/10	ADD 'FCW' NOTATION AT STIFF SECTIONS	JTB	ELC			
REV.	DATE	REMARKS	DWN	CHK	APVL	SHOP
MATERIAL:		SURFACE PREP. & PAINT:		HOLES:		SHOP BOLTS:
M270-50W(UN)		SEE DWG GNI		15/16" φ (UN)		NONE
DESCRIPTION: GIRDER - 3G3						
CASCO BAY STEEL STRUCTURES, INC.						
75 SPRING HILL ROAD			SACO, MAINE 04072			
PHONE (207) 282-7360			FAX. (207) 282-1179			
STRUCTURE:			DRAWN:	DATE:		
BRIDGE OVER WARDSBORO BROOK			JTB	12/20		
ROUTE TH 43, BRIDGE NO. 33			CHKD:	DATE:		
			ELC	1/7/10		
LOCATION: JAMAICA, WINDHAM COUNTY, VT			JOB NO.	DWG NO.		
PROJ NO. BRO 1442(27)			437	3		
CUSTOMER: VERMONT A.O.T.				REV. Δ		

RECEIVED
 CTD BY: [Signature] DTD BY: [Signature]
 JAN 25 2010
 RESUBMIT: [Signature] APPROVED: [Signature]
 BY: KMH DATE: 1/29/10