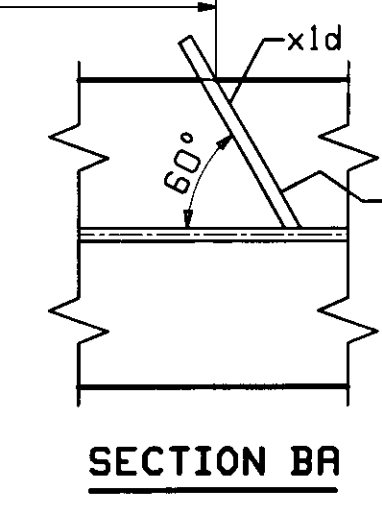
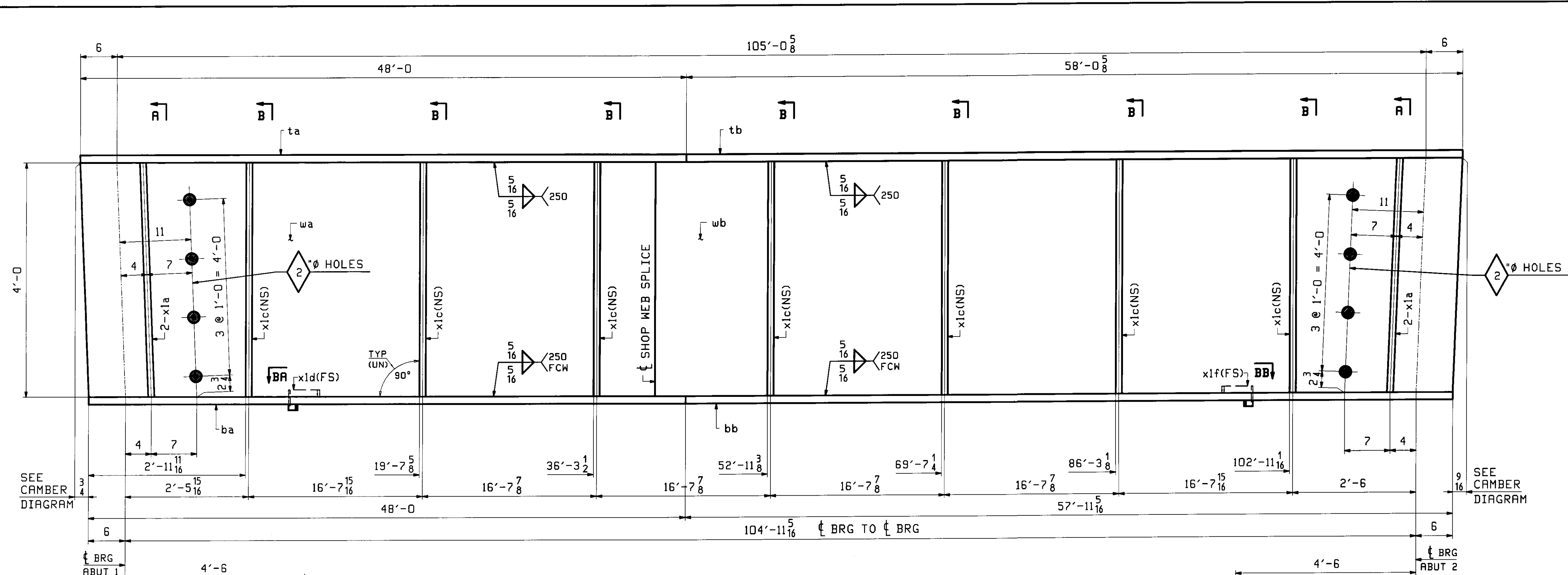
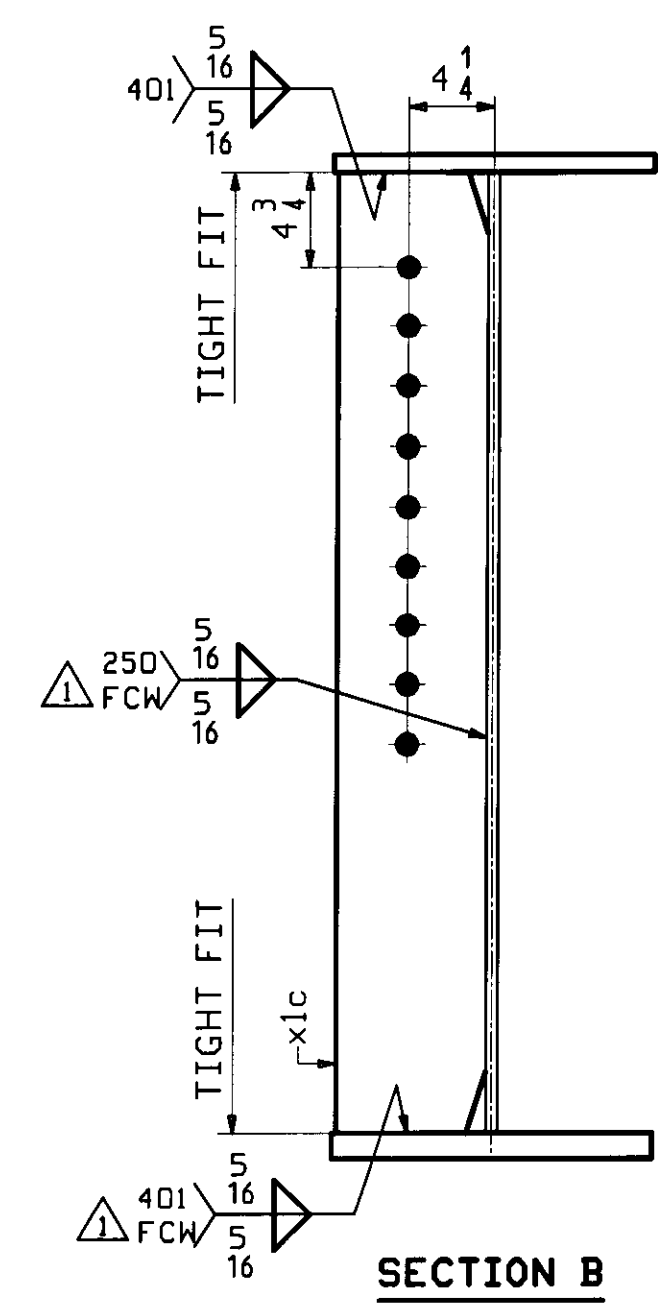
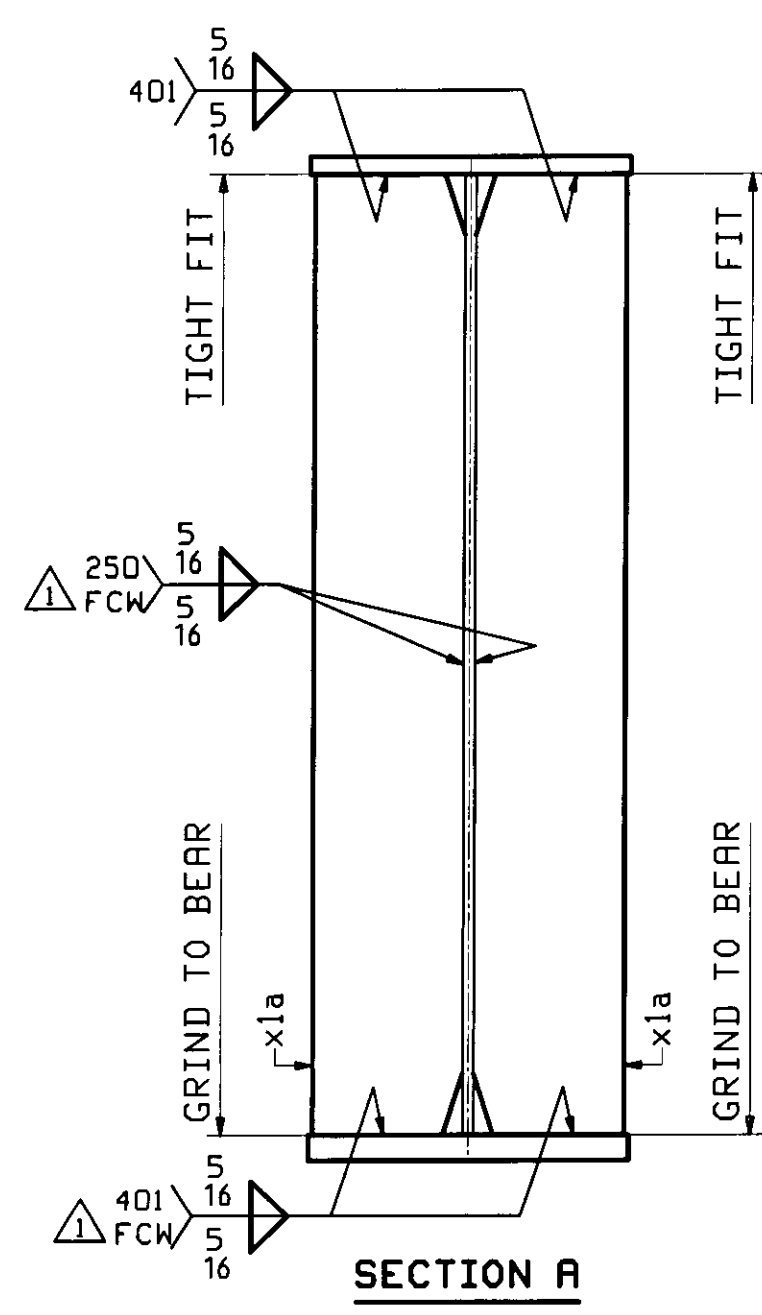
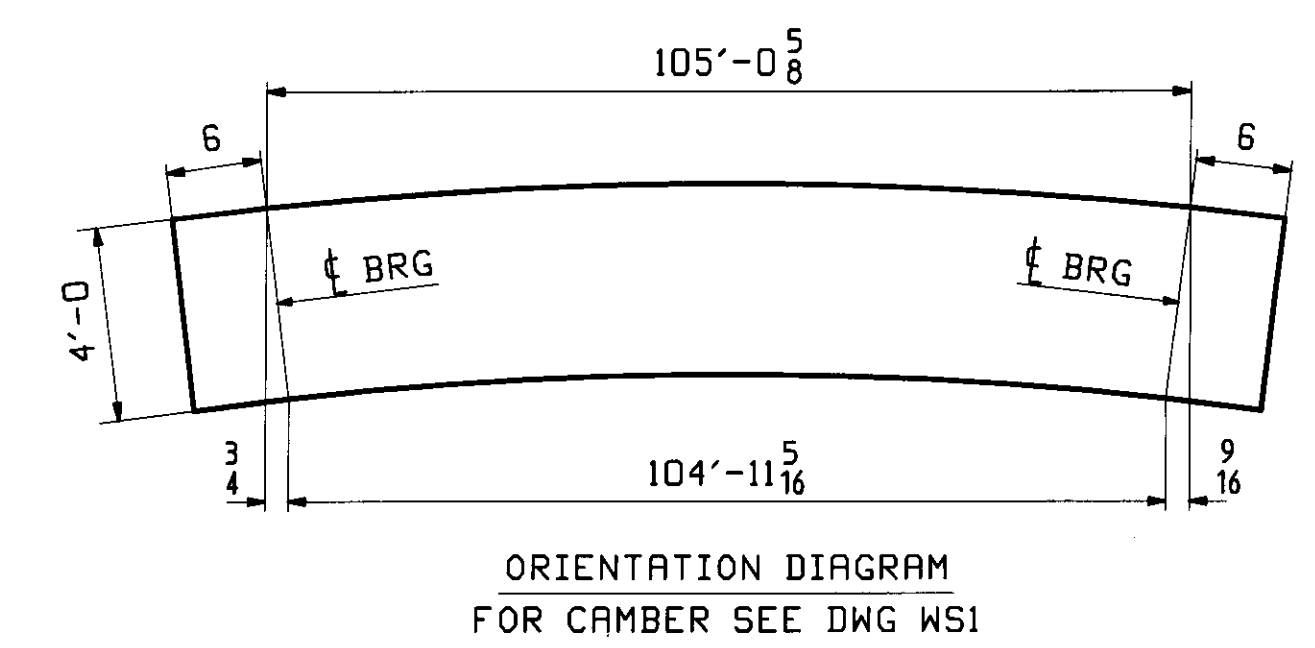
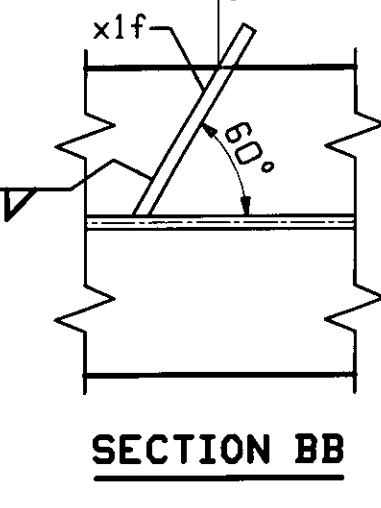


ABM INFO		SHIP				BILL OF MATERIAL		JOB NO.		DRAWING NO.		REV.
PAGE	LINE	MARK	QTY	MARK	MATERIAL	LENGTH		REMARKS	WT	PROCUREMENT NOTES		
		IG1	1		GIRDER	FT	INCHES					
1	G		1	wa	PL 9/16x48	45	0 15/16	(F2)				
1	E		1	wb	PL 9/16x48	61	0 15/16	(F2)				
1	L		1	ta	PL 7/8x16	48	0					
1	J		1	tb	PL 7/8x16	58	0 5/8					
1	C		1	ba	PL 1 1/4x16	48	0	(F2)				
1	A		1	bb	PL 1 1/4x16	57	11 1/16	(F2)				
2	B		4	x1a	PL 3/4x7 1/2	4	0	MIE				
2	C		7	x1c	PL 2x7 1/2	4	0					
2	D		1	x1d	PL 1 1/4x3 1/2	0	11					
2	D		1	x1f	PL 1 1/4x3 1/2	0	11					



ONE - GIRDER - IG1

FOR GIRDER STANDARDS SEE DRAWING X1.
 FOR CAMBER & FLANGE DIAGRAMS SEE DRAWING WS1.
 FOR GENERAL NOTES SEE DRAWING GNI.
 (F2) DENOTES MATERIAL SUBJECT TO FRACTURE CRITICAL TESTING.



1/18/10	ADD 'FCW' NOTATION AT STIFF SECTIONS	JTB	ELC			
0						
REV.	DATE	REMARKS	DWN	CHK	APVL	SHOP
MATERIAL:	SURFACE PREP. & PAINT:		HOLES:		SHOP BOLTS:	
M270-50W(UN)	SEE DWG GNI		15/16" Ø (UN)		NONE	
DESCRIPTION: GIRDER - IG1						
CASCO BAY STEEL STRUCTURES, INC.						
75 SPRING HILL ROAD			SACO, MAINE 04072			
PHONE (207) 282-7360			FAX (207) 282-1179			
STRUCTURE:		DRAWN:		DATE:		
BRIDGE OVER WARDBORO BROOK		JTB		12/20		
ROUTE TH 43, BRIDGE NO. 33		CHKD:		DATE:		
		ELC		1/7/10		
LOCATION: JAMAICA, WINDHAM COUNTY, VT			JOB NO.		DWG NO.	
PROJ NO. BRO 1442(27)			437		1	
CUSTOMER: VERMONT A.O.T.					REV. 1	

RECEIVED
 JAN 25 2010
 APPROVED BY: [Signature]
 DATE: 1/29/10