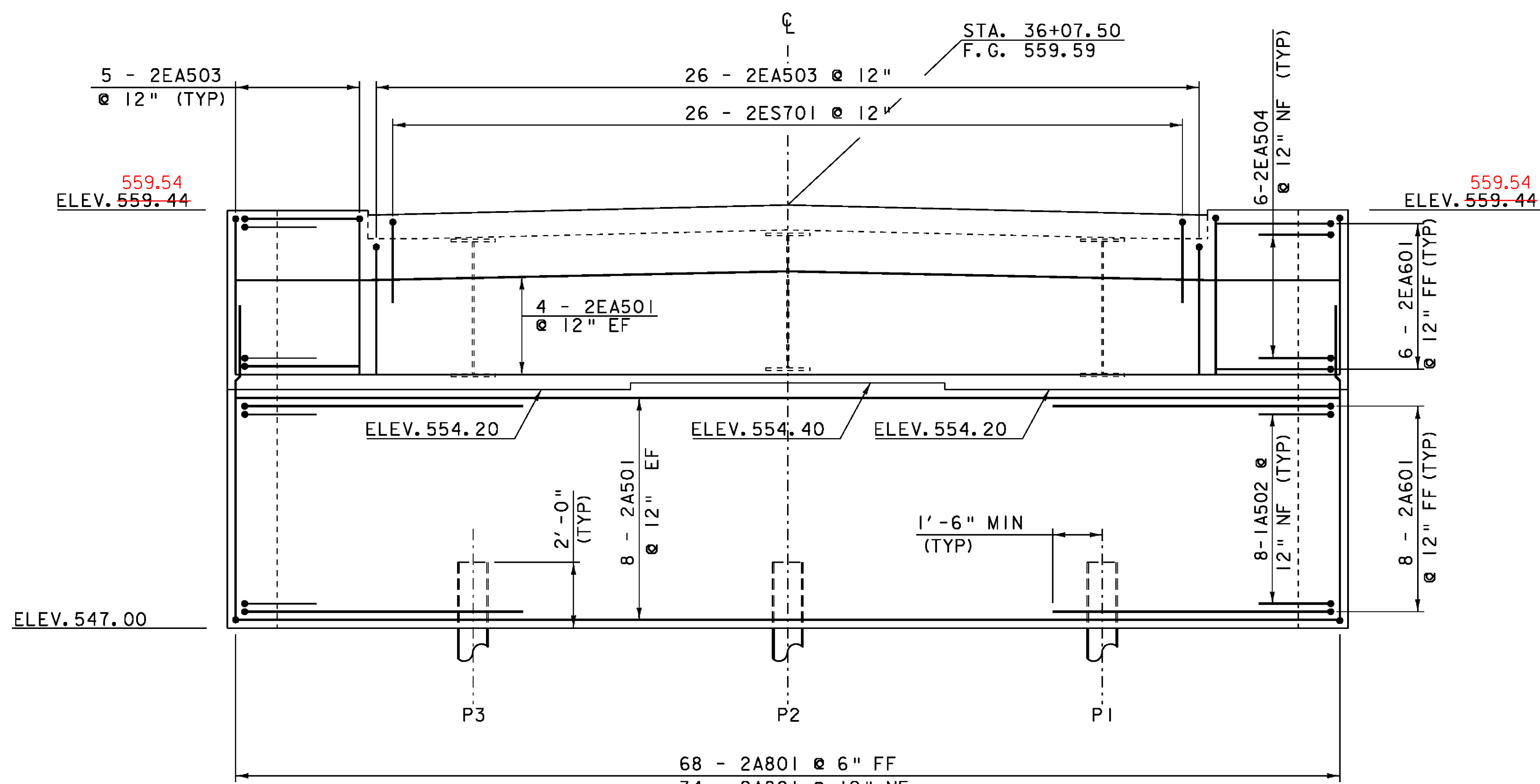


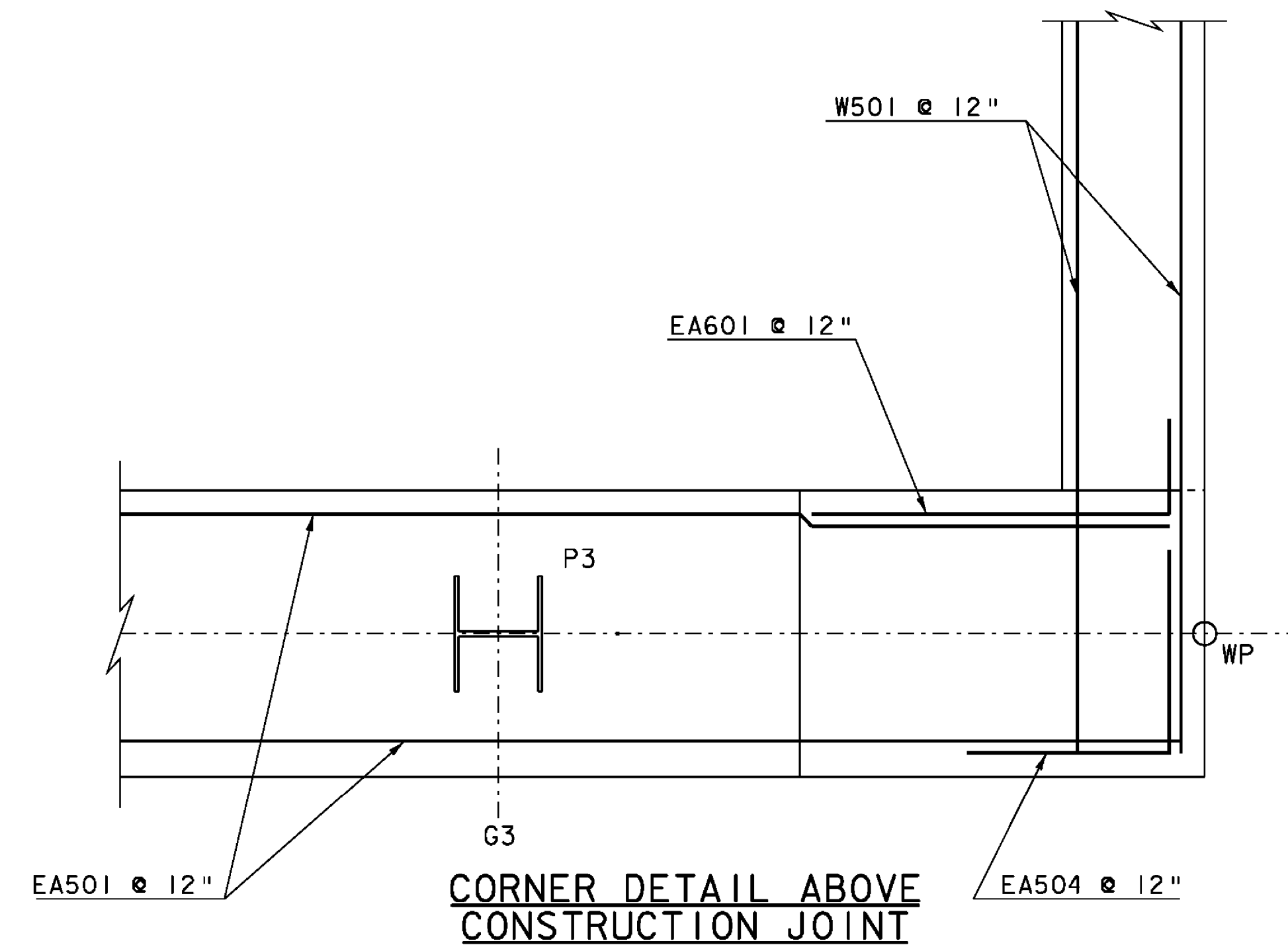
ABUTMENT #2 PLAN

SCALE $\frac{3}{8}$ " = 1'-0"
 0 1 2 3 4



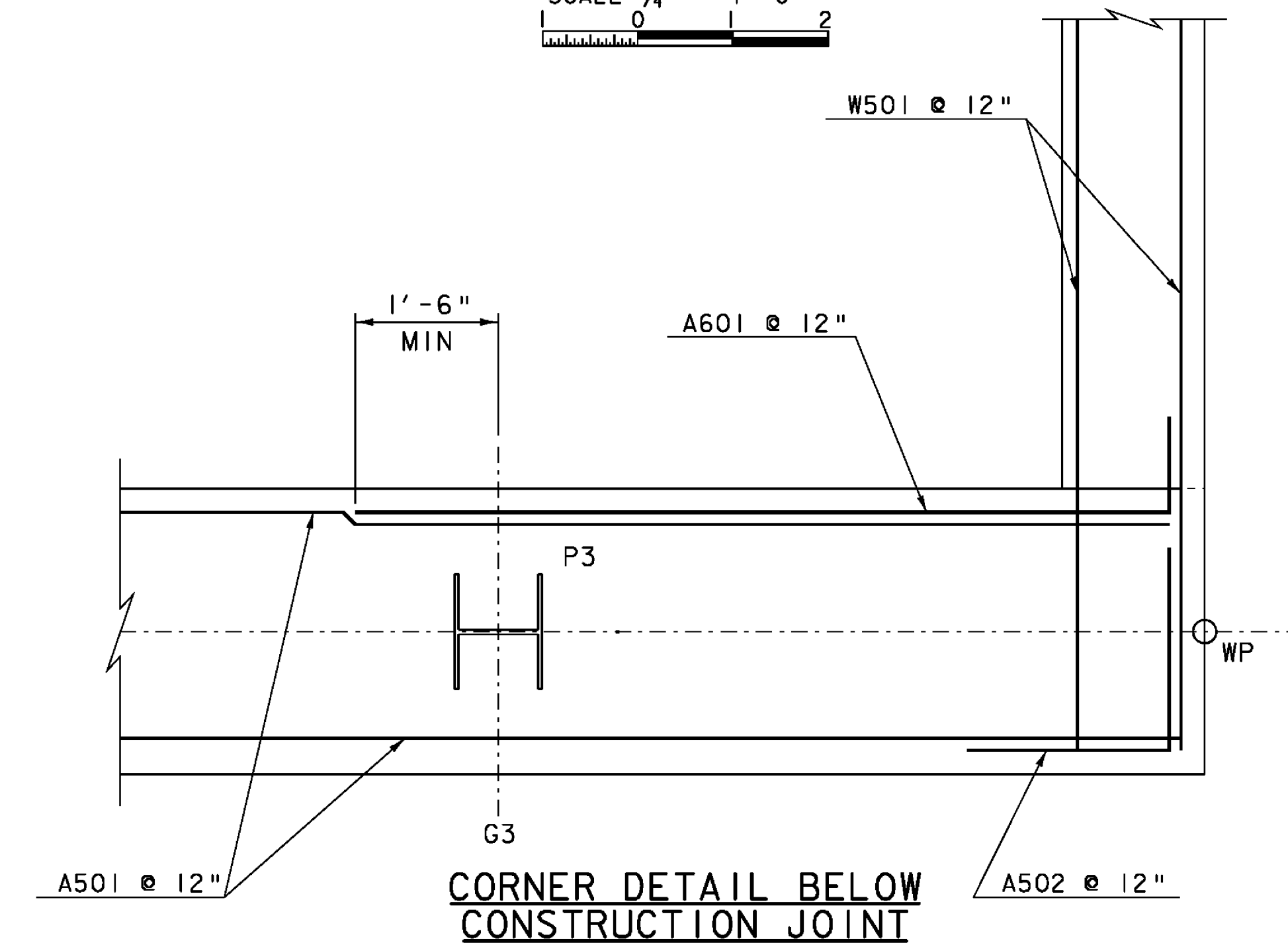
ABUTMENT #2 ELEVATION

SCALE $\frac{3}{8}$ " = 1'-0"
 0 1 2 3 4



CORNER DETAIL ABOVE CONSTRUCTION JOINT

SCALE $\frac{3}{4}$ " = 1'-0"
 0 1 2



CORNER DETAIL BELOW CONSTRUCTION JOINT

SCALE $\frac{3}{4}$ " = 1'-0"
 0 1 2

NOTE:

- NF = NEAR FACE
- FF = FAR FACE
- EF = EACH FACE
- ▲ = CUT TO FIT IN FIELD
- 3" CLR. UNLESS OTHERWISE SPECIFIED ON THE PLANS.
- ALL LAPS 2'-2" UNLESS OTHERWISE NOTED.

PROJECT NAME: JAMAICA
 PROJECT NUMBER: BRO 1442(27)

FILE NAME: s96j068sub.dgn
 PROJECT LEADER: K. HIGGINS
 DESIGNED BY: J. LACROIX
 ABUTMENT #2

PLOT DATE: 19-OCT-2009
 DRAWN BY: R. PELLETT
 CHECKED BY: J. LACROIX
 SHEET 23 OF 44