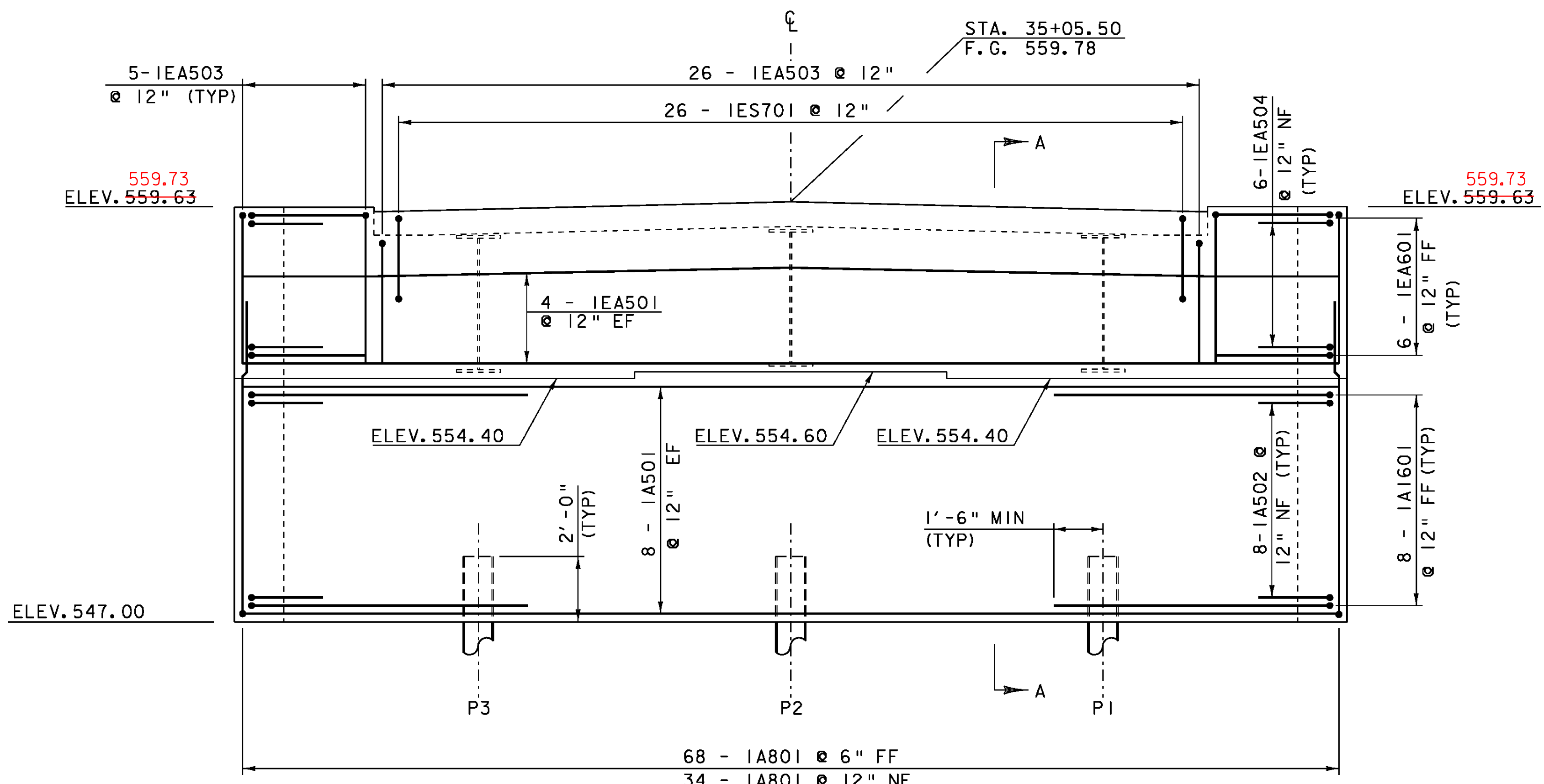


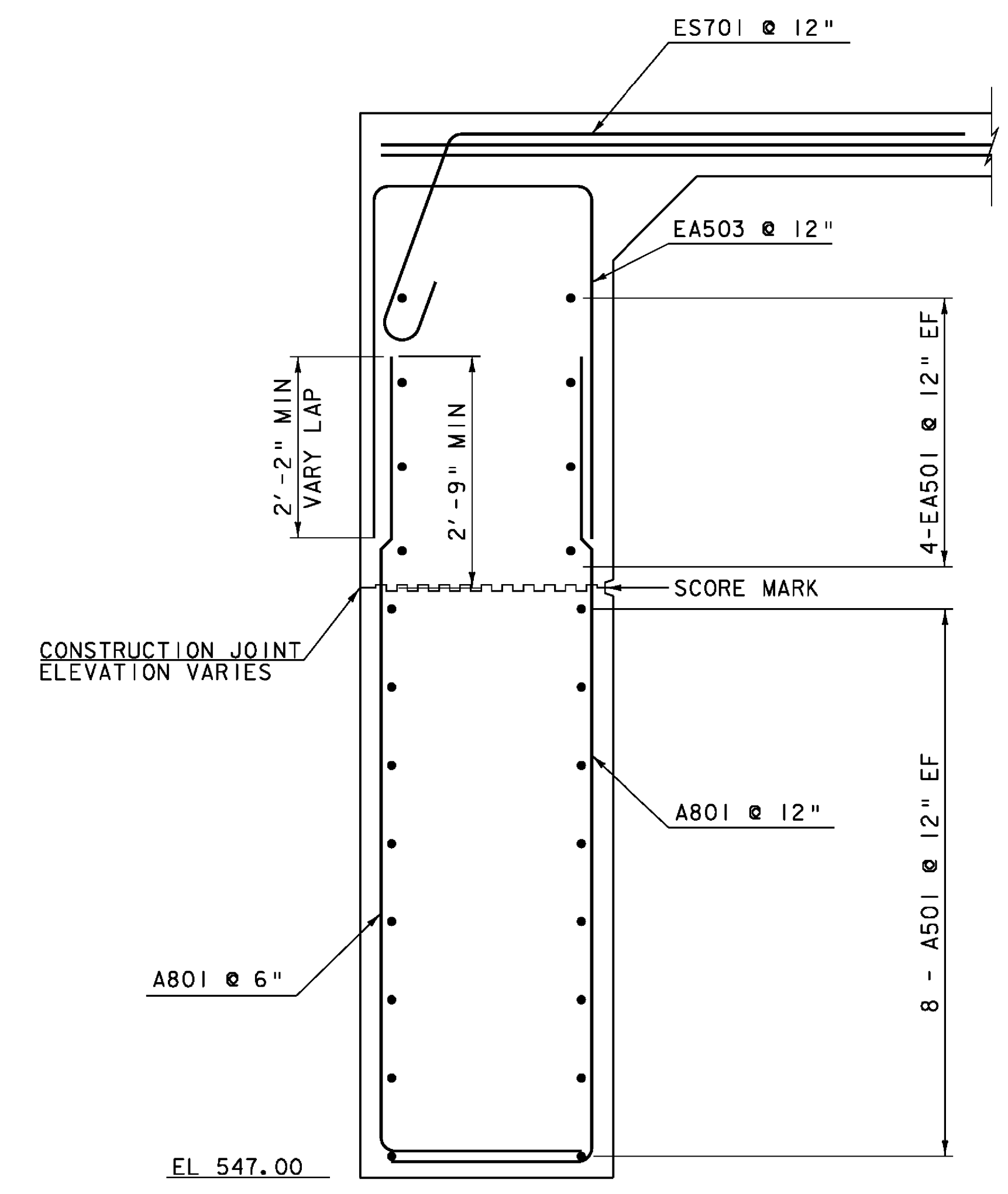
ABUTMENT #1 PLAN

SCALE $\frac{3}{8}$ " = 1'-0"
 0 1 2 3 4



ABUTMENT #1 ELEVATION

SCALE $\frac{3}{8}$ " = 1'-0"
 0 1 2 3 4



**SECTION A-A
 ABUTMENT TYPICAL**

SCALE $\frac{3}{4}$ " = 1'-0"
 0 1 2

NOTE:

- NF = NEAR FACE
- FF = FAR FACE
- EF = EACH FACE
- ▲ = CUT TO FIT IN FIELD
- 3" CLR. UNLESS OTHERWISE SPECIFIED ON THE PLANS.
- ALL LAPS 2'-2" UNLESS OTHERWISE NOTED.

PROJECT NAME:	JAMAICA	FILE NAME:	s96j068sub.dgn	PLOT DATE:	19-OCT-2009
PROJECT NUMBER:	BRO 1442(27)	PROJECT LEADER:	K. HIGGINS	DRAWN BY:	R. PELLETT
		DESIGNED BY:	J. LACROIX	CHECKED BY:	J. LACROIX
		ABUTMENT #1		SHEET	22 OF 44