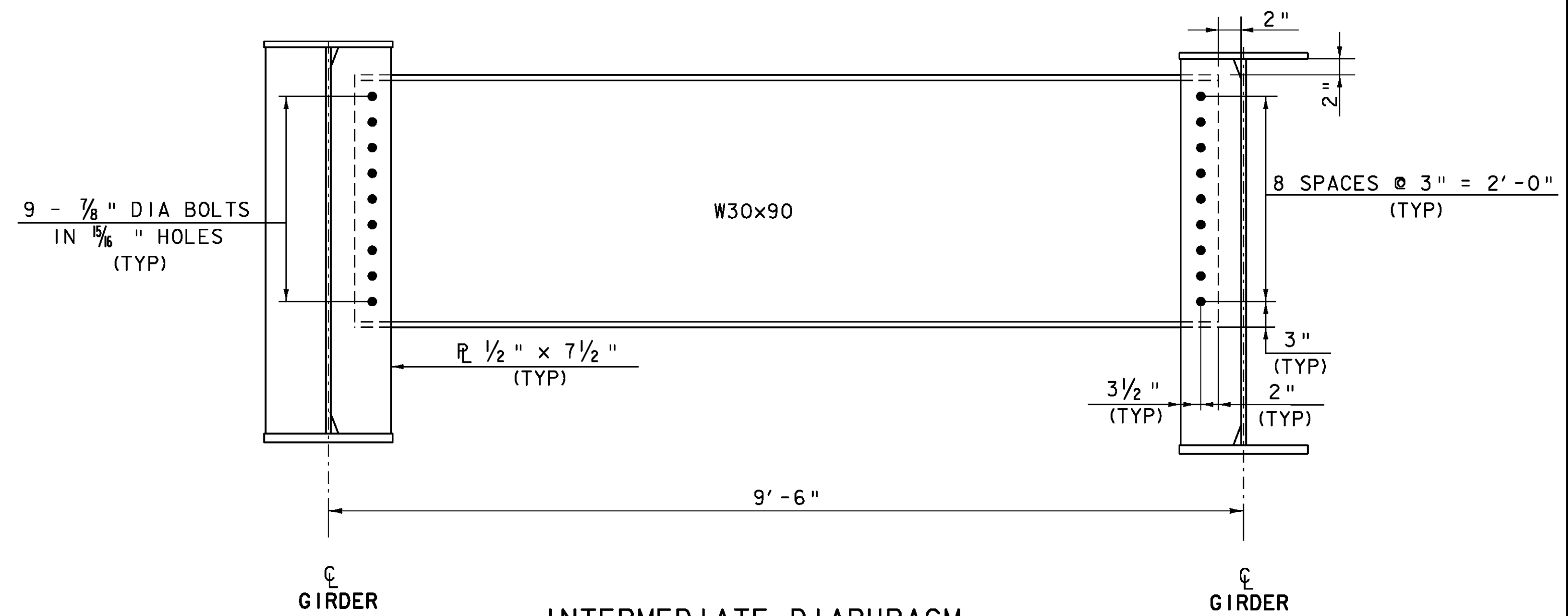
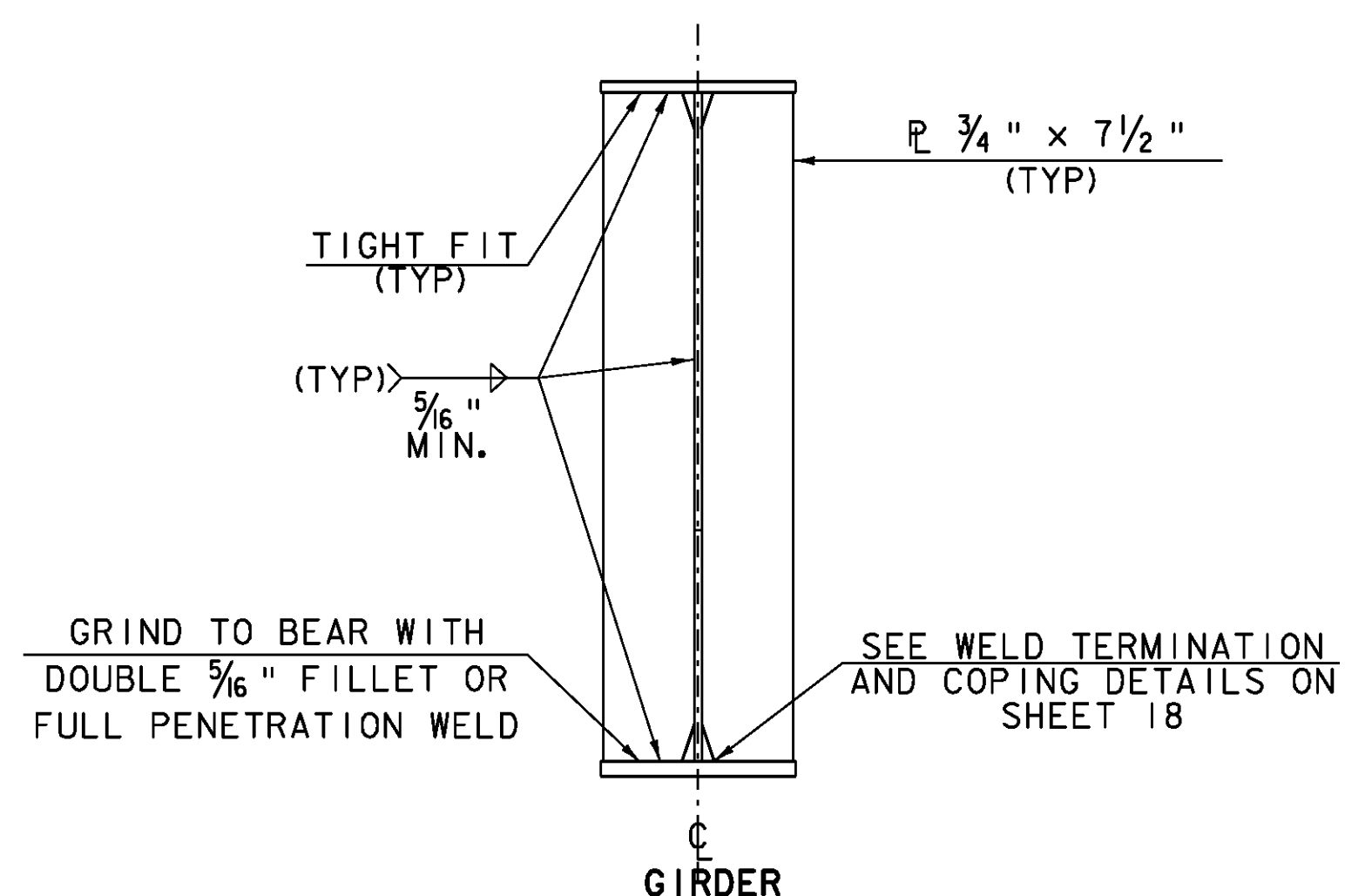


**ROLLED BEAM  
USED AS DIAPHRAGM**



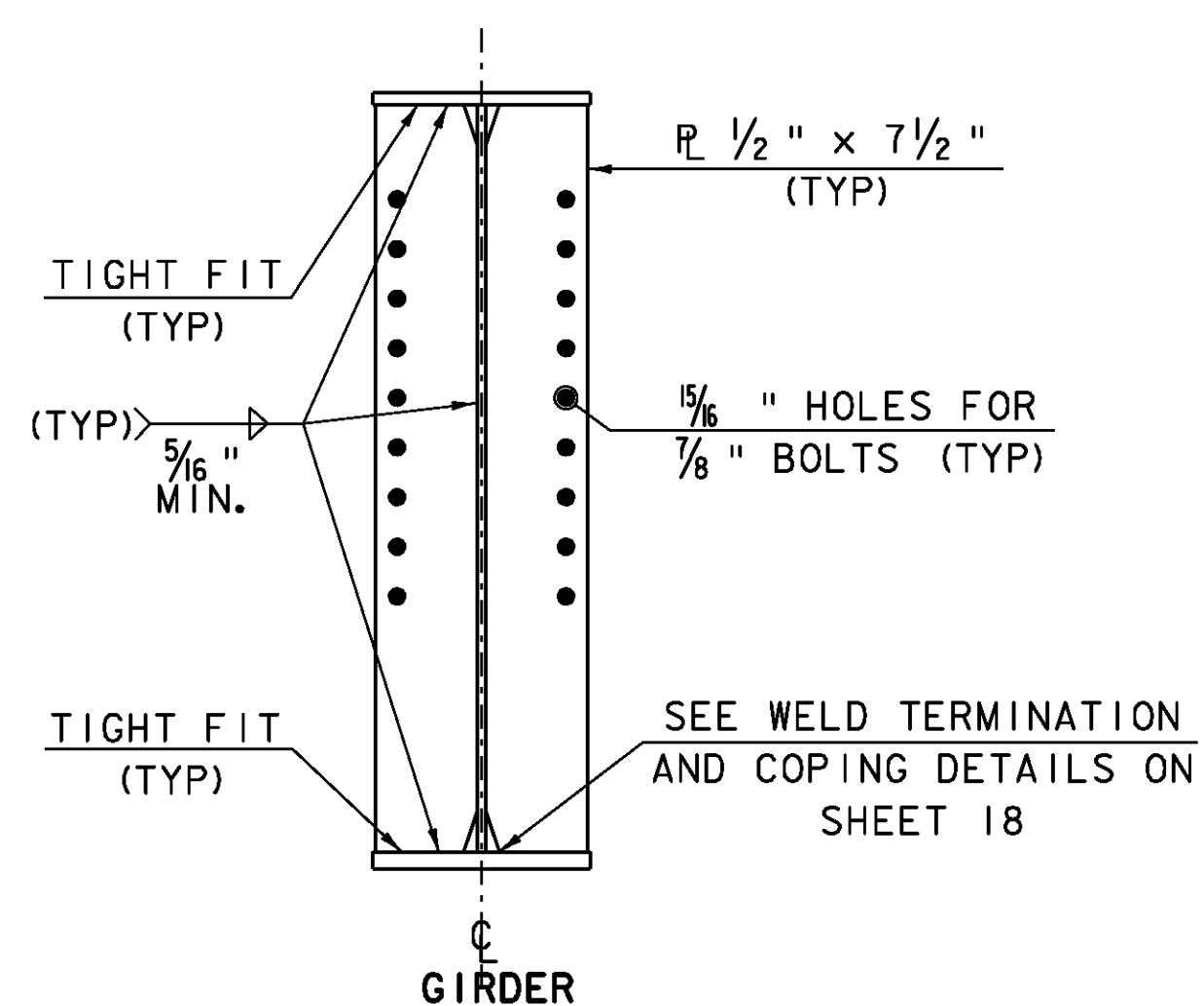
**INTERMEDIATE DIAPHRAGM**

SCALE 1" = 1'-0"  
1 9 6 3 0 2



**ABUTMENT BEARING STIFFENER**

SCALE 1" = 1'-0"  
1 9 6 3 0 2



**INTERMEDIATE DIAPHRAGM  
CONNECTION PLATE**

SCALE 1" = 1'-0"  
1 9 6 3 0 2

PROJECT NAME: JAMACIA  
PROJECT NUMBER: BRO 1442(27)

FILE NAME: s96j068det.dgn  
PROJECT LEADER: K. HIGGINS  
DESIGNED BY: J. LACROIX  
DIAPHRAGM DETAILS

PLOT DATE: 19-OCT-2009  
DRAWN BY: K. PATTERSON  
CHECKED BY: J. LACROIX  
SHEET 20 OF 44