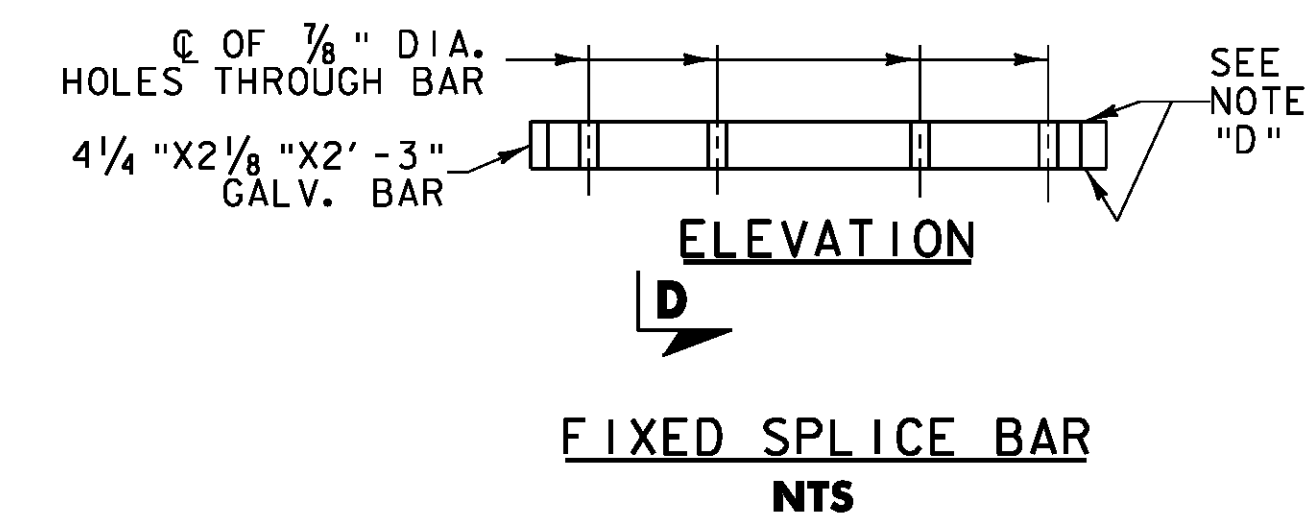
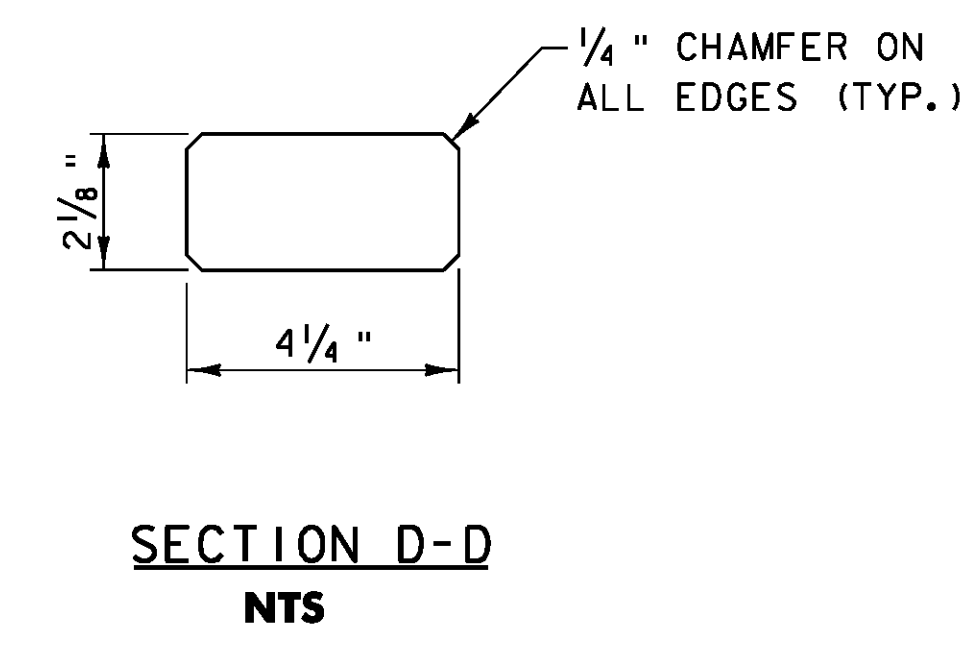
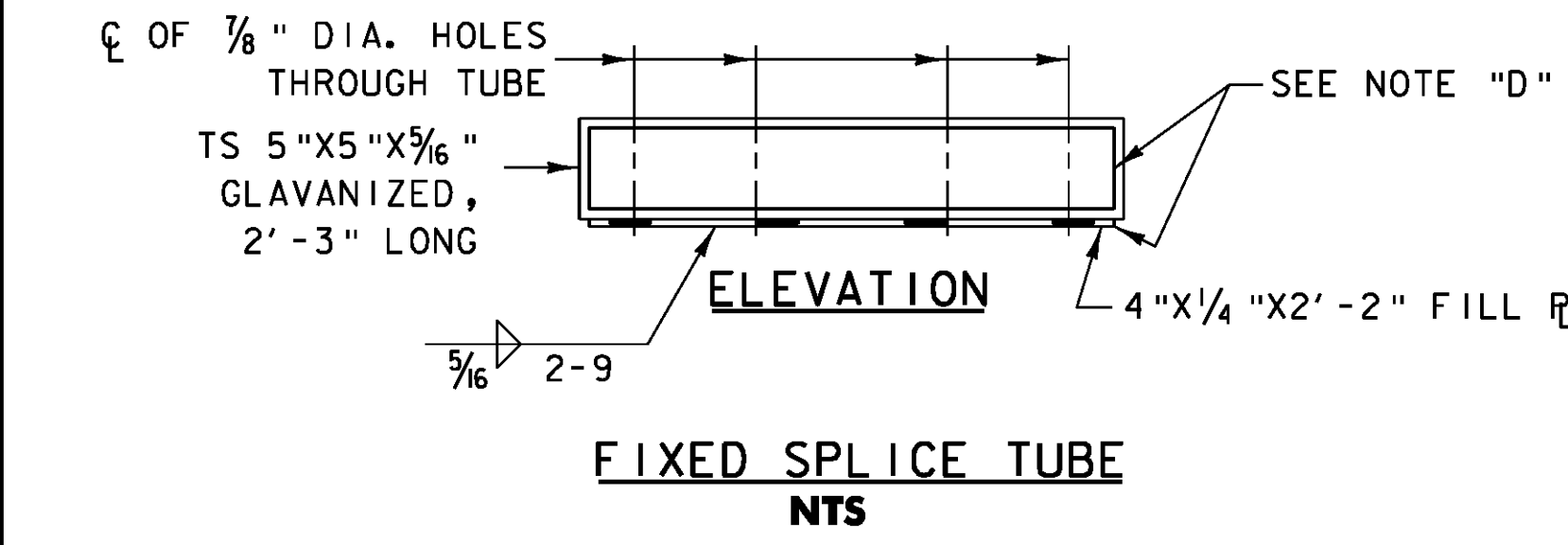


NOTES:

NOTE "D": PROTRUSIONS CAUSED BY WELDING OR GALVANIZING ARE NOT PERMITTED ON THE ADJOINING SURFACES OF THE BOX BEAM RAILS, SPLICE TUBES AND FILL PLATES.

DETAILS ON THE DRAWINGS LABELED AS "NOT TO SCALE" ARE INTENTIONALLY DRAWN NOT TO SCALE FOR VISUAL CLARITY. ALL OTHER DETAILS, FOR WHICH NO SCALE IS SHOWN, ARE DRAWN PROPORTIONAL AND ARE FULLY DIMENSIONED.

ALL DIMENSIONS ARE SHOWN IN FEET & INCHES UNLESS OTHERWISE NOTED.



PROJECT NAME: JAMAICA	PLOT DATE: 17-DEC-2009
PROJECT NUMBER: BRO 1442(27)	DRAWN BY: VTRANS
FILE NAME: s96j068rclldet.dgn	CHECKED BY: VTRANS
PROJECT LEADER: K. HIGGINS	SHEET 3 OF 4
DESIGNED BY: VTRANS	
BRIDGE RAILING DETAIL SHEET #3	