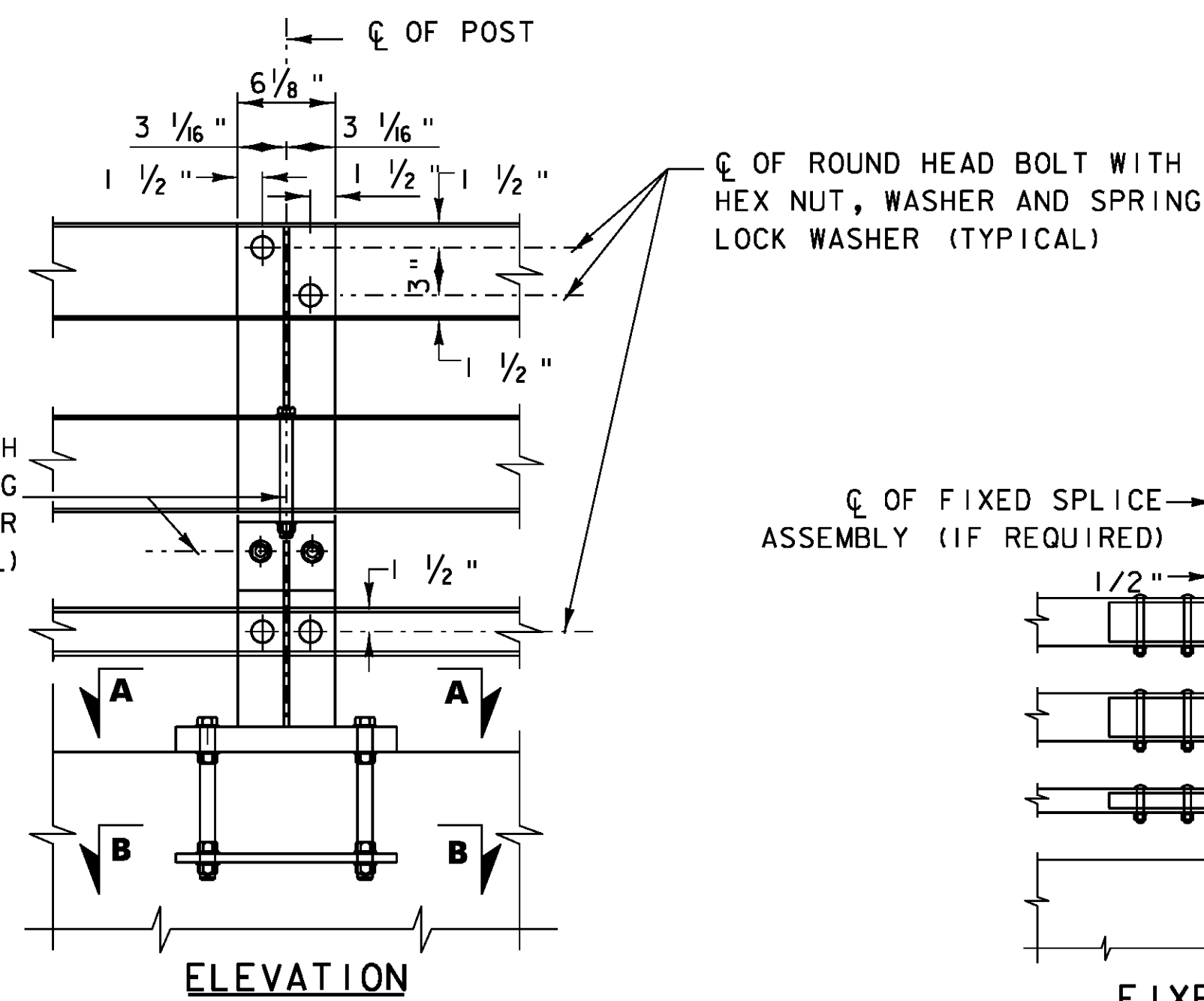
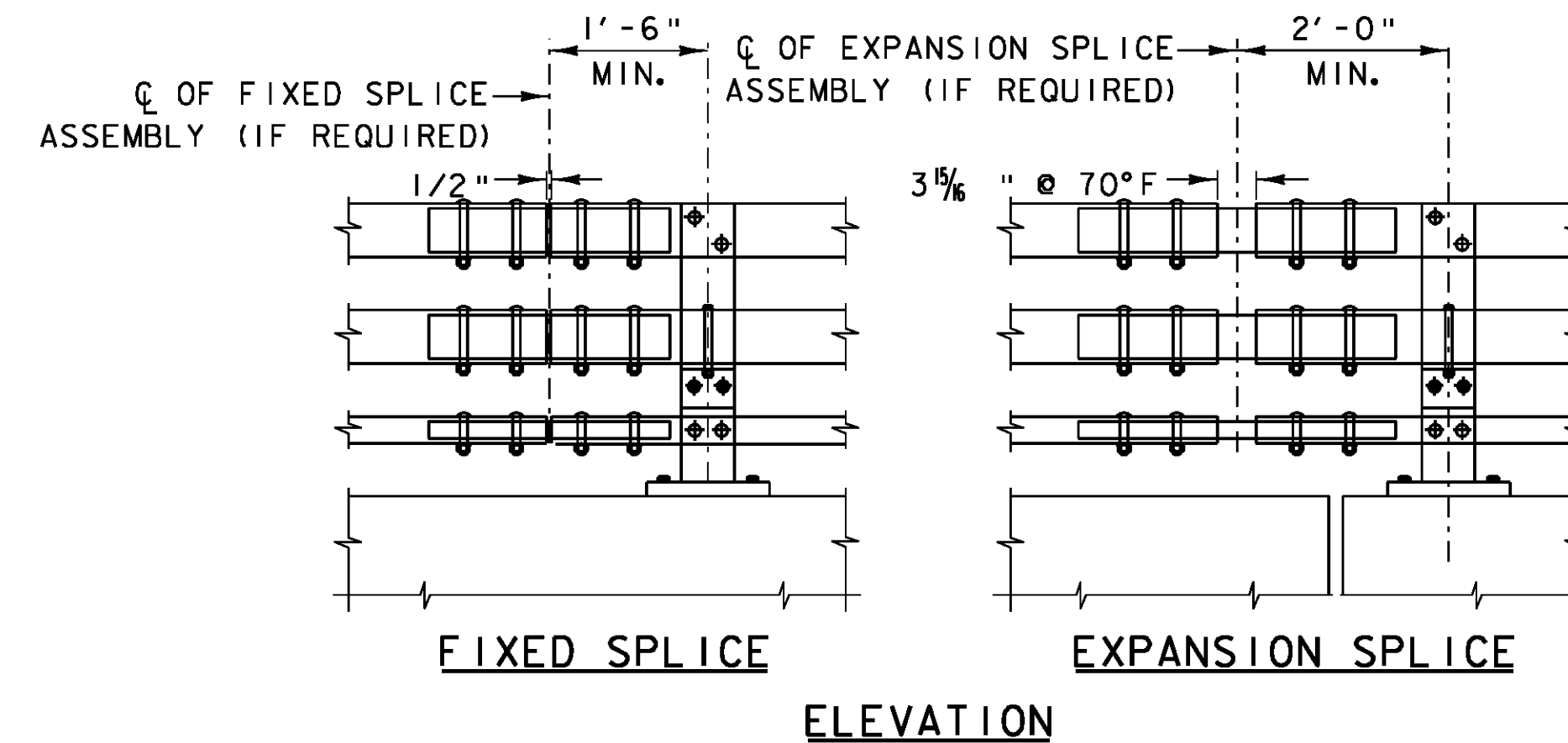


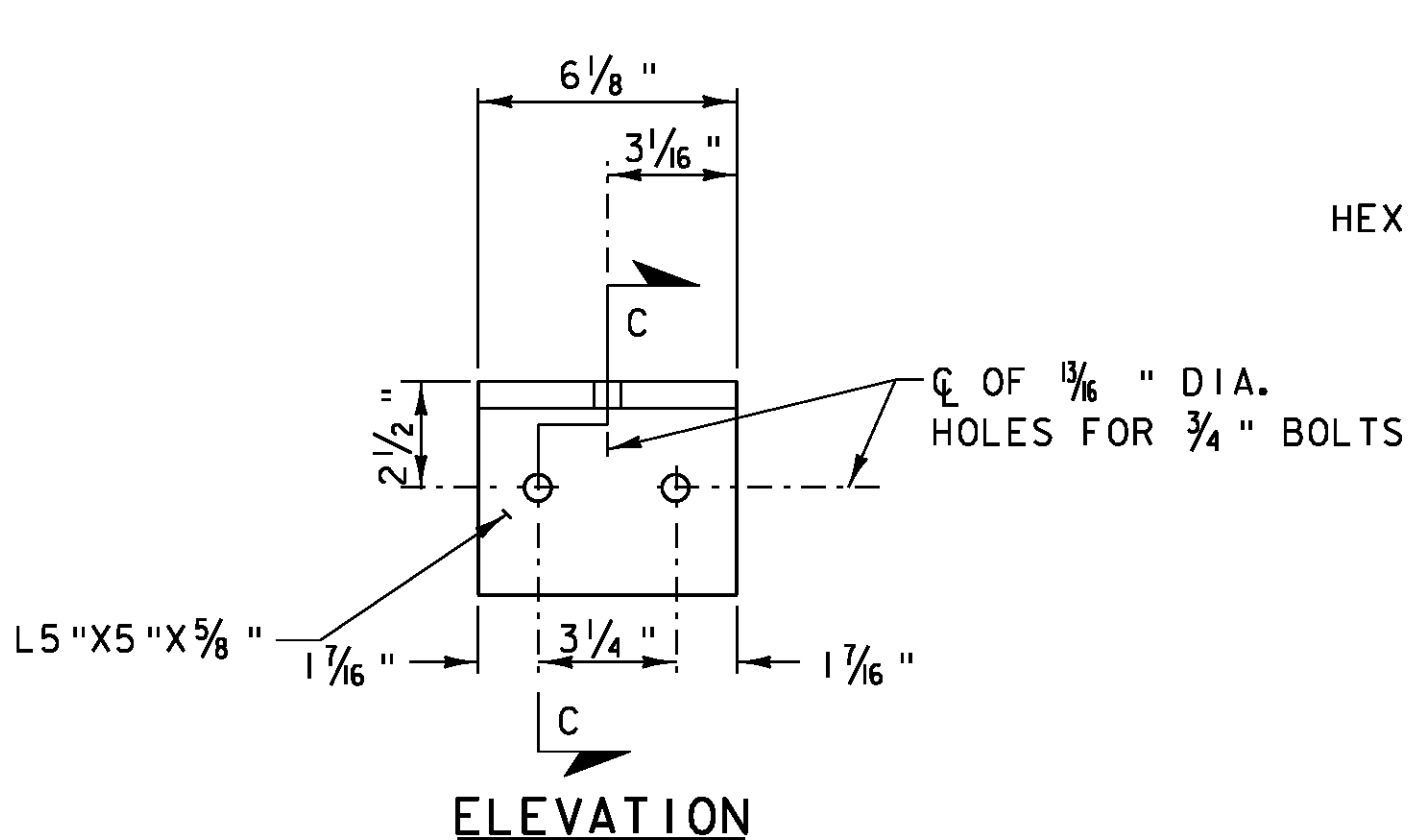
**STEEL BRIDGE RAILING
(GALVANIZED 3 RAIL)
NTS**



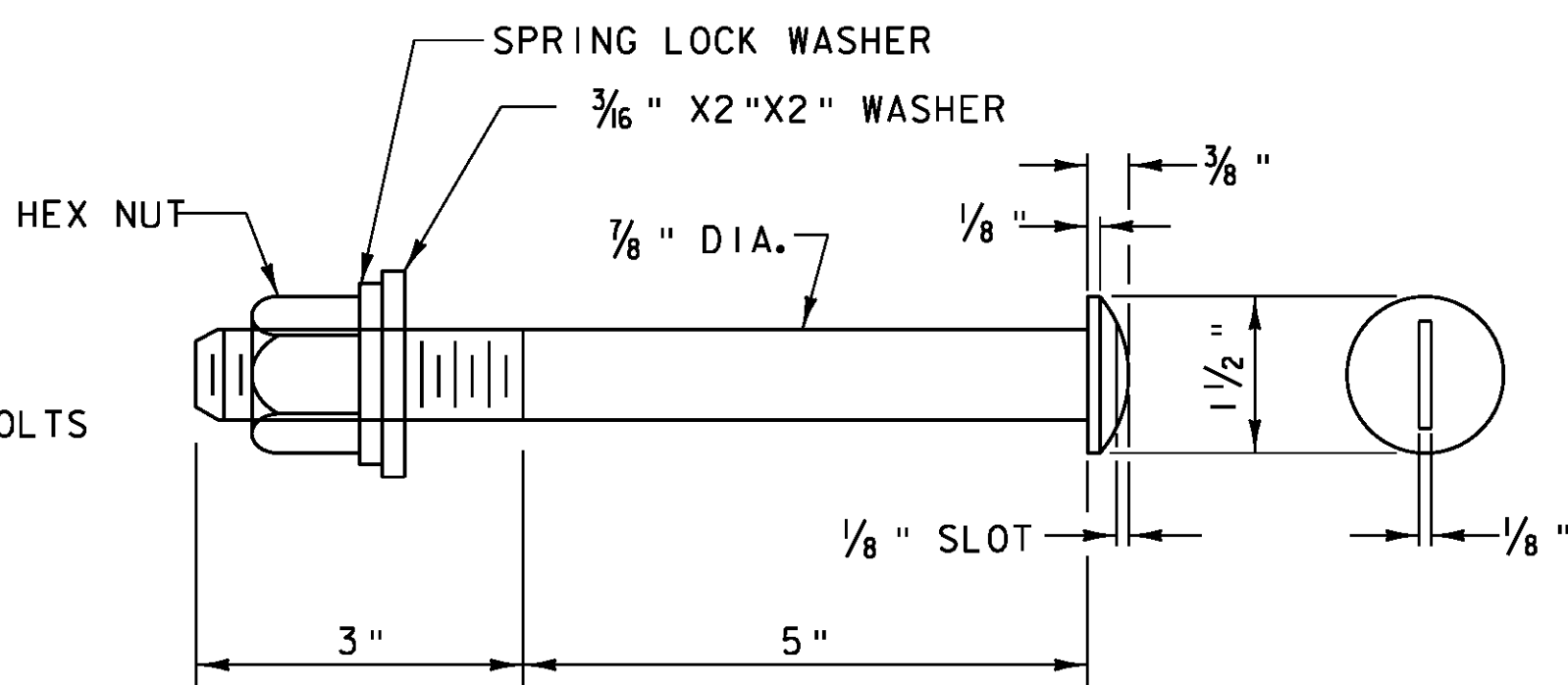
**STEEL BRIDGE RAILING SPLICE DETAILS
(GALVANIZED 3 RAIL)
NTS**



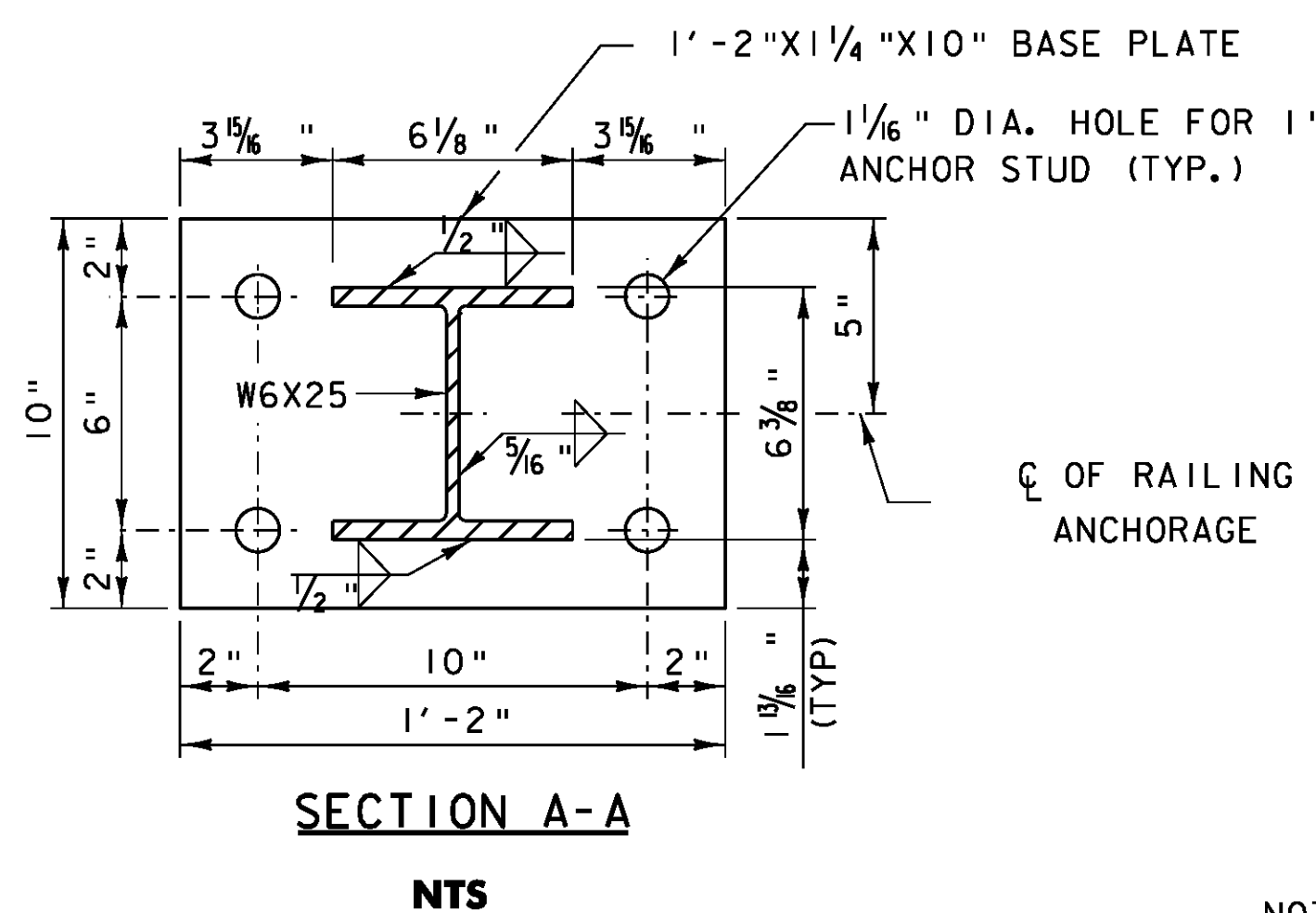
A RAILING EXPANSION SPLICE IS REQUIRED IN ANY POST SPACING THAT CONTAINS A SUPERSTRUCTURE EXPANSION JOINT.



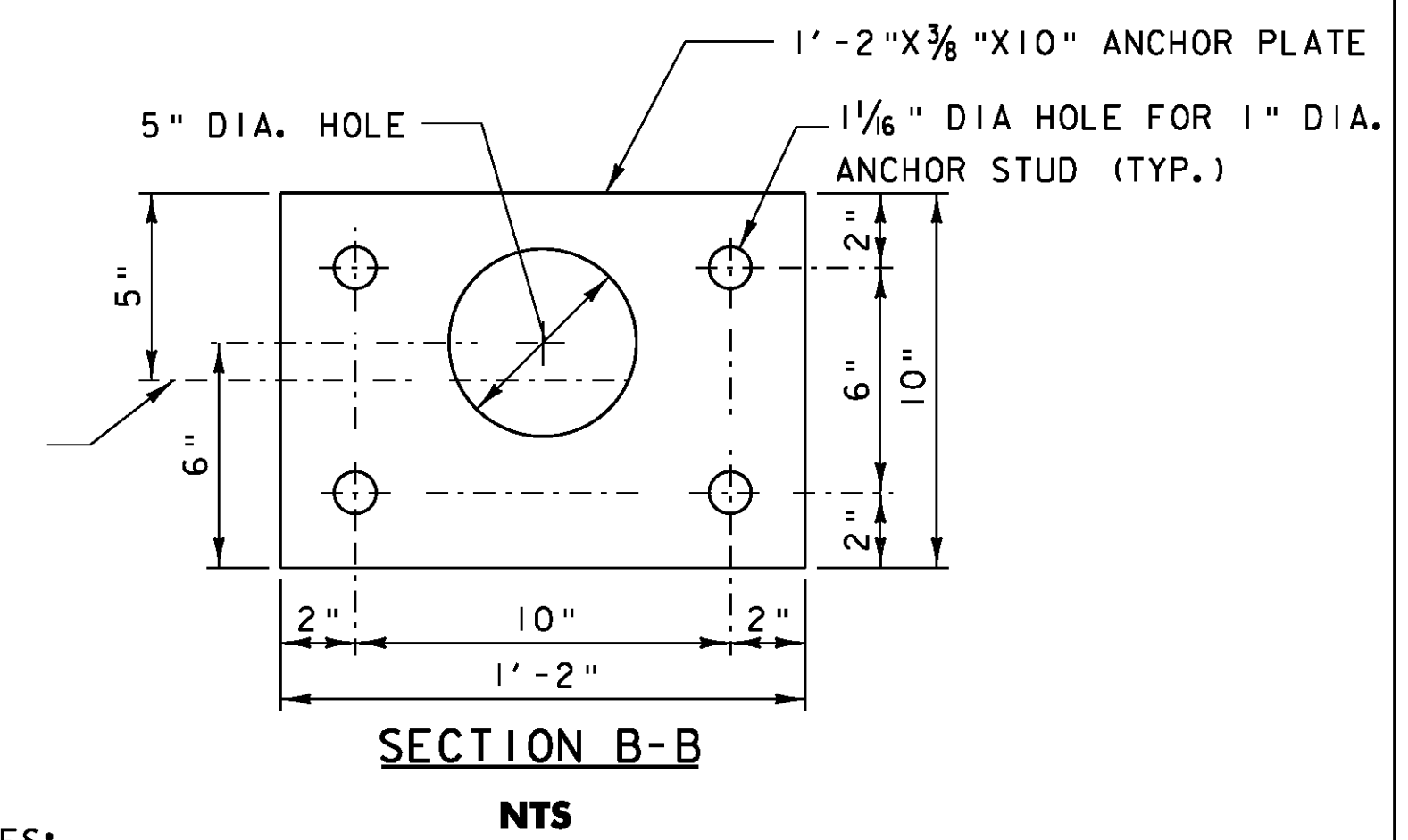
ELEVATION



**ROUND HEAD BOLT
NTS**



**SECTION A-A
NTS**



**SECTION B-B
NTS**

NOTES:

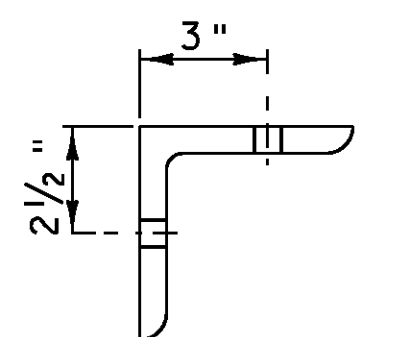
1. ALL RAILING IS TO BE FABRICATED AND ERECTED ACCORDING TO SECTION 525 OF THE STANDARD SPECIFICATIONS.
2. PRIOR TO GALVANIZING THE ASSEMBLED POST, GRIND ALL EDGES TO A MINIMUM RADIUS OF 1/16".
3. BOLTS SHALL BE TORQUED SNUG TIGHT (APPROXIMATELY 100 FT-LB.).
4. DETAILS ON THE DRAWINGS LABELED AS "NOT TO SCALE" ARE INTENTIONALLY DRAWN NOT TO SCALE FOR VISUAL CLARITY. ALL OTHER DETAILS, FOR WHICH NO SCALE IS SHOWN, ARE DRAWN PROPORTIONAL AND ARE FULLY DIMENSIONED.
5. ALL DIMENSIONS ARE SHOWN IN FEET & INCHES UNLESS OTHERWISE NOTED.

PROJECT NAME: JAMAICA
PROJECT NUMBER: BRO 1442(27)

FILE NAME: s96j068r.dldet.dgn
PROJECT LEADER: K. HIGGINS
DESIGNED BY: VTRANS
BRIDGE RAILING DETAIL SHEET #1

PLOT DATE: 17-DEC-2009
DRAWN BY: VTRANS
CHECKED BY: VTRANS
SHEET 1 OF 4

**RAILING ANGLE DETAILS
NTS**



SECTION C-C