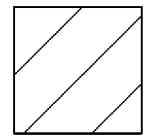
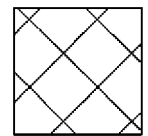


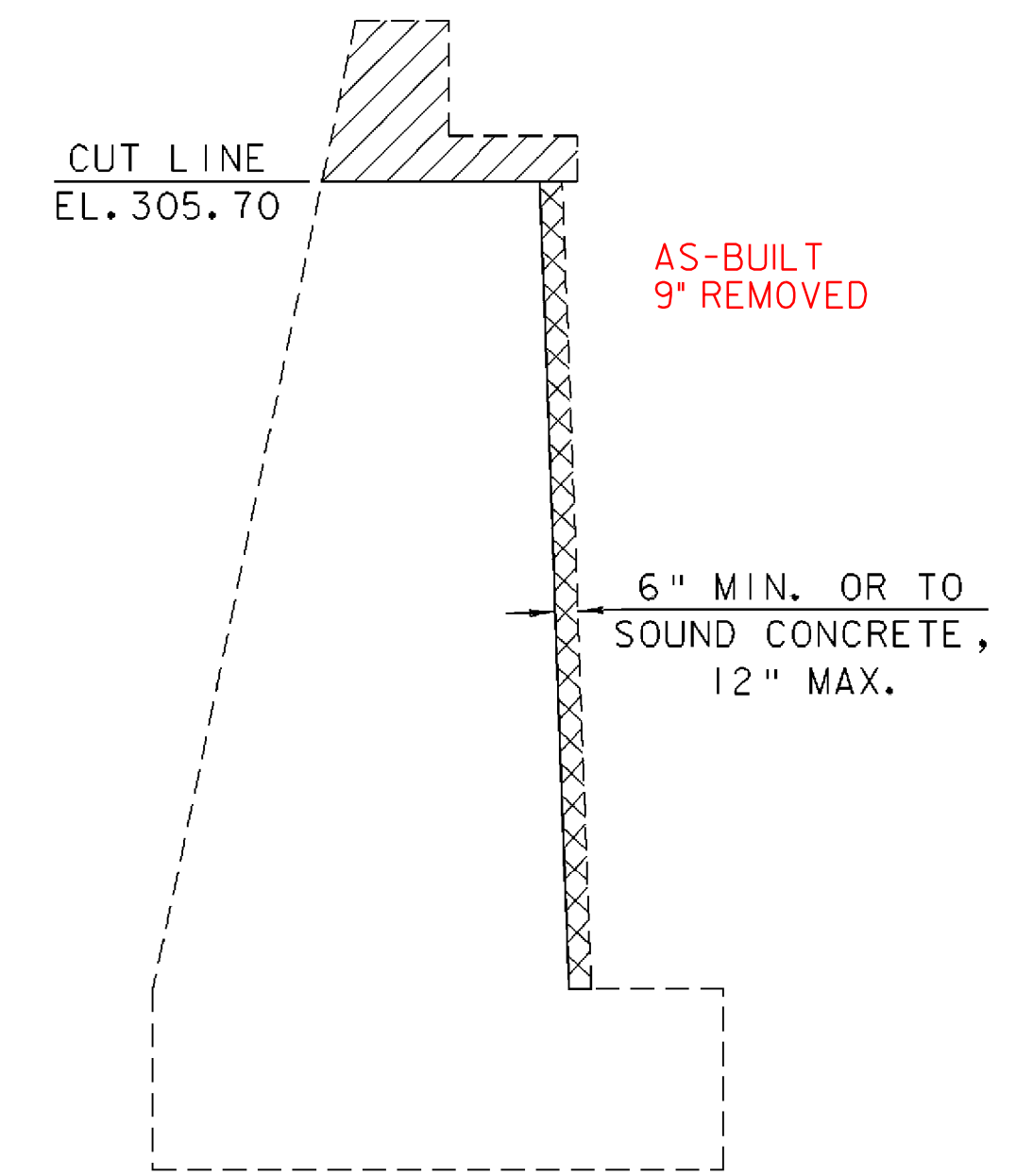
ABUTMENT NO. 1 ELEVATION

1 0 1 2 3 4 5 6  
SCALE: 1/4" = 1'-0"

**EXISTING CONCRETE REMOVAL NOTES:**

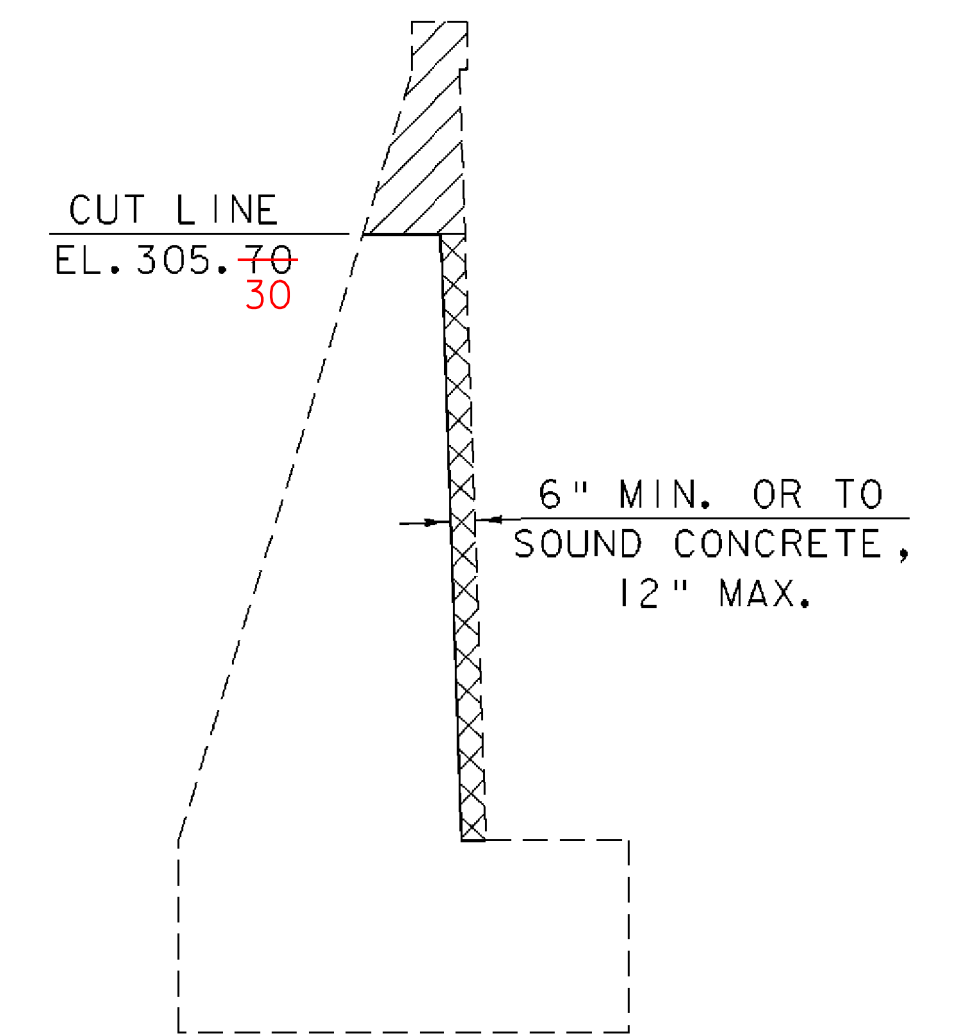
-  EXISTING CONCRETE TO BE COMPLETELY REMOVED AND REPLACED WITH NEW CONCRETE AS SHOWN IN THE PLANS.
-  EXISTING CONCRETE TO BE PARTIALLY REMOVED AND REMAINING CONCRETE TO BE FACED WITH NEW CONCRETE AS SHOWN IN THE PLANS.

ALL CONCRETE REMOVAL AS DETAILED SHALL BE PAID FOR UNDER ITEM 529.25, "REMOVAL OF CONCRETE OR MASONRY".



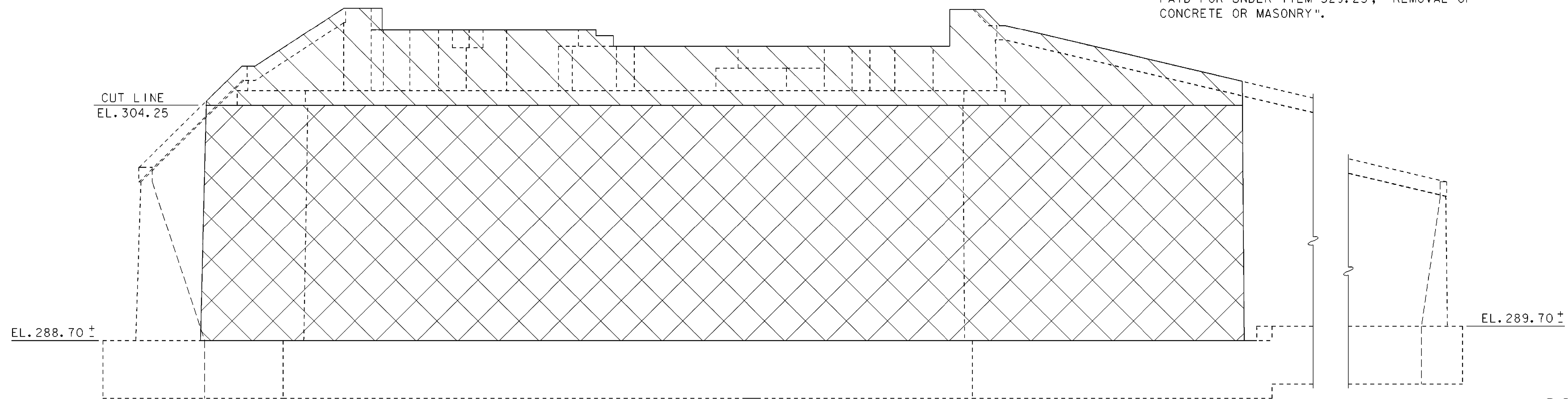
SECTION "A-A"

1 0 1 2 3 4 5 6  
SCALE: 1/4" = 1'-0"



SECTION "B-B"

1 0 1 2 3 4 5 6  
SCALE: 1/4" = 1'-0"



ABUTMENT NO. 2 ELEVATION

1 0 1 2 3 4 5 6  
SCALE: 1/4" = 1'-0"

EXISTING ABUTMENT  
CONCRETE REMOVAL DETAILS

PROJECT NAME: SPRINGFIELD	PLOT DATE: 27-DEC-2007
PROJECT NUMBER: BHO 1442(30)	DRAWN BY: G. ROY
FILE NAME: 96J348/str/s96J348ab.dgn	CHECKED BY: C. CARLSON
PROJECT MANAGER: R. R. WHITCOMB	SHEET 39 OF 85
DESIGNED BY: C. CARLSON	
s96J348cr.l	