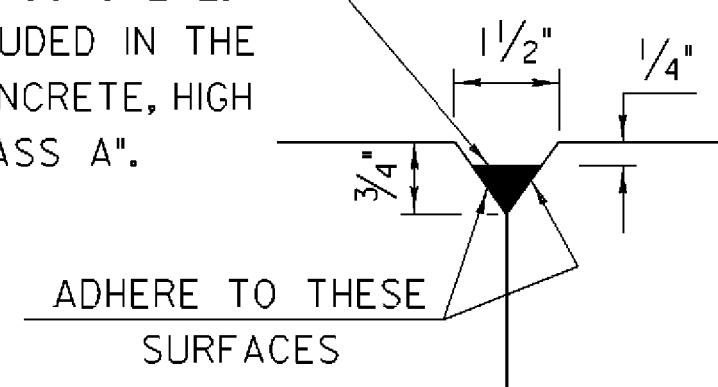
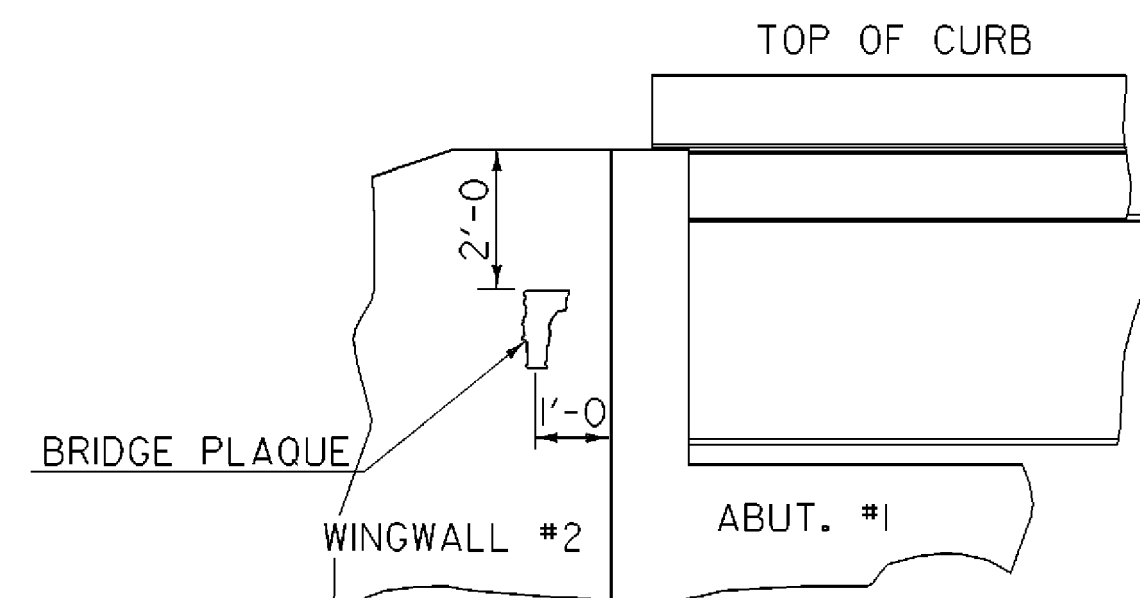


SCORE MARK DETAIL

POLYURETHANE JOINT SEALER
PER SUBSECTION 524.06C
COLOR TO MATCH CONCRETE.
COST TO BE INCLUDED IN THE
UNIT BID FOR "CONCRETE, HIGH
PERFORMANCE CLASS A".

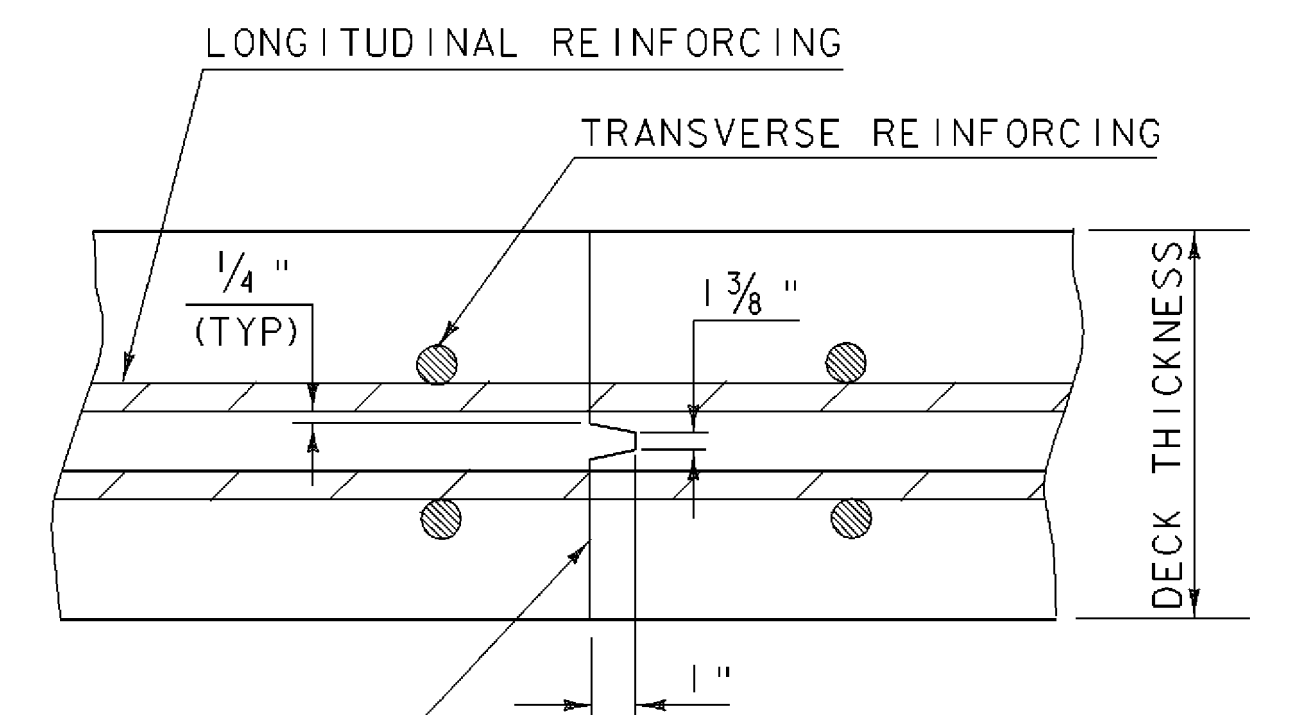


DETAIL "B"



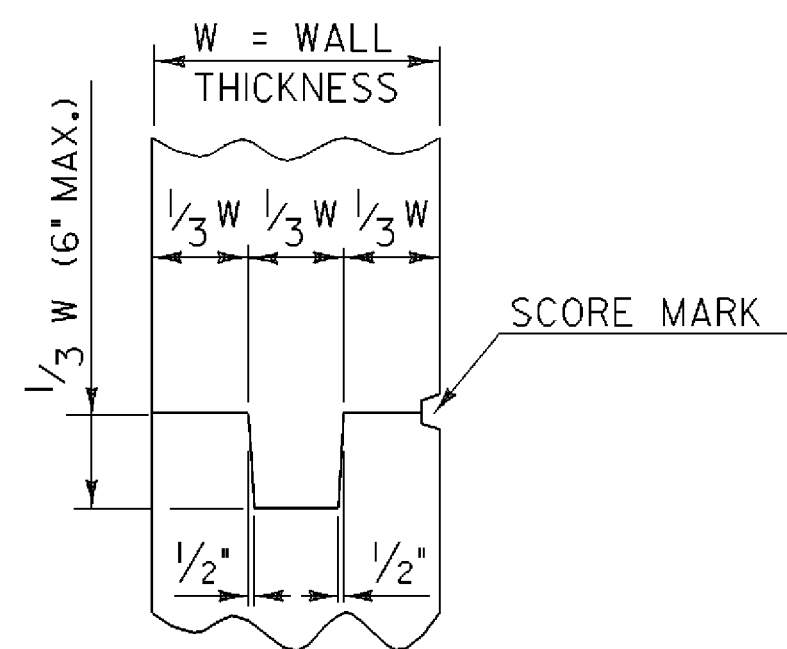
LOCATE BRIDGE PLAQUE

THE BRIDGE PLAQUE WILL BE SUPPLIED BY THE AGENCY OF TRANSPORTATION AND SHALL BE INSTALLED BY THE CONTRACTOR AT ABUTMENT #1 ON THE RIGHT SIDE AS SHOWN OR AS DIRECTED BY THE ENGINEER. THIS WORK IS INCIDENTAL TO THE ITEM "CONCRETE, HIGH PERFORMANCE CLASS B".

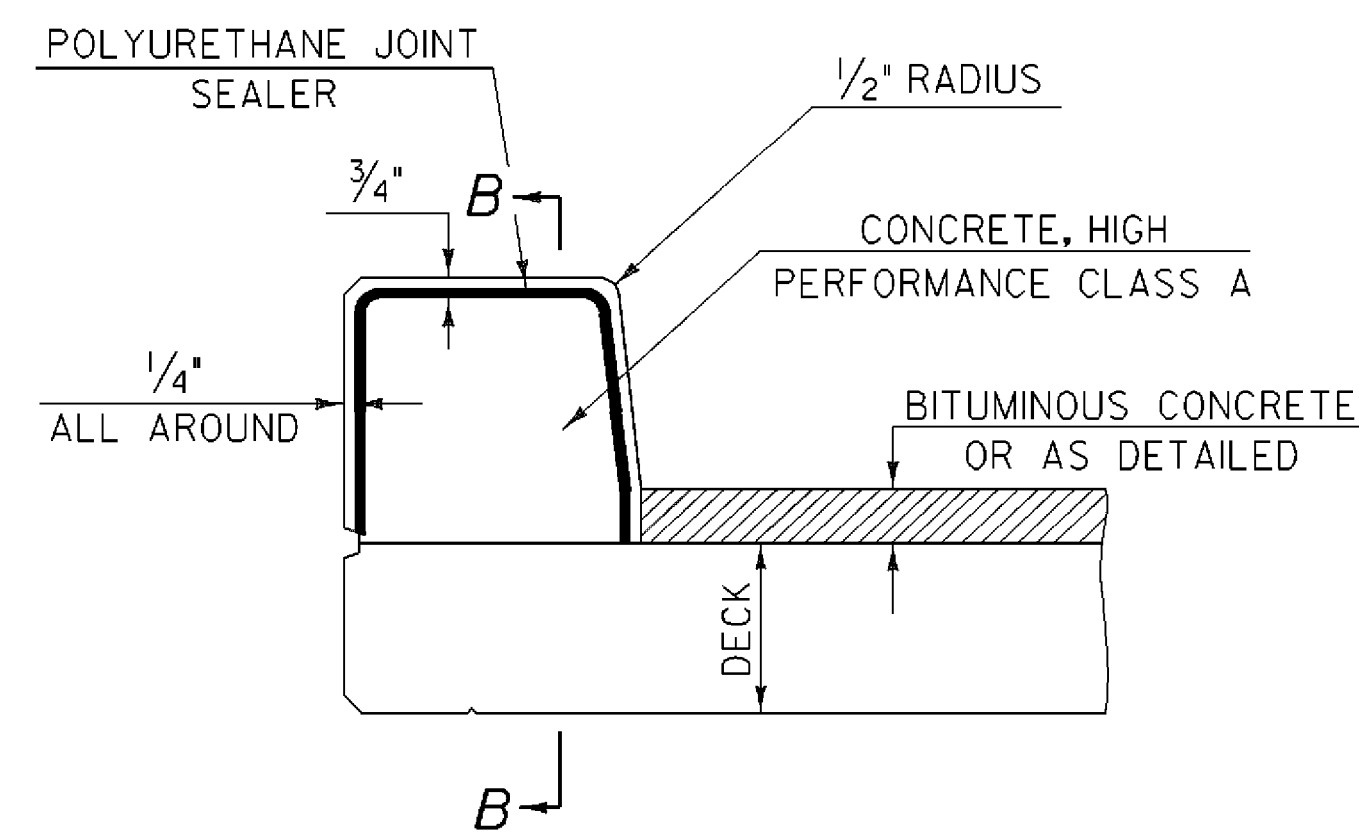


APPLY EPOXY BONDING COMPOUND BEFORE PLACING NEW CONCRETE. INCLUDE WITH COST BID FOR "CONCRETE, HIGH PERFORMANCE CLASS A".
TRANSVERSE BRIDGE SLAB CONSTRUCTION JOINT DETAILS

NTS



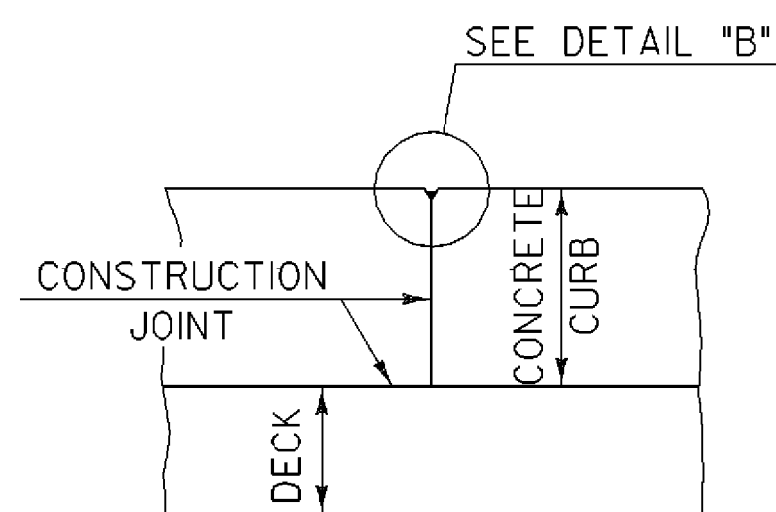
TYPICAL CONCRETE CONSTRUCTION JOINT



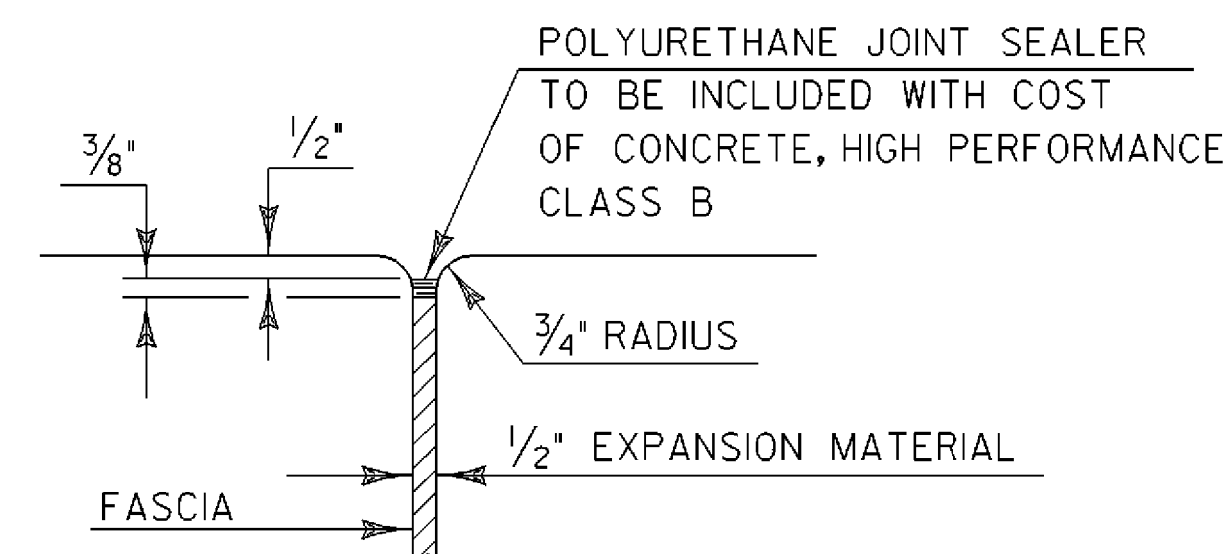
TYPICAL SECTION THROUGH CONCRETE CURB CONSTRUCTION JOINT



CURB SECTION
NTS



SECTION B - B



JOINT BETWEEN FASCIA AND WINGWALL

MISCELLANEOUS PROJECT DETAILS

PROJECT NAME:	SPRINGFIELD	PLOT DATE:	27-DEC-2007
PROJECT NUMBER:	BHO 1442(30)	DRAWN BY:	D. PETERSON
FILE NAME:	96J348/str/s96J348sup.dgn	CHECKED BY:	C. CARLSON
PROJECT MANAGER:	R. R. WHITCOMB	SHEET	38 OF 85
DESIGNED BY:	J. PERRIGO		
	s96J348misc.1		