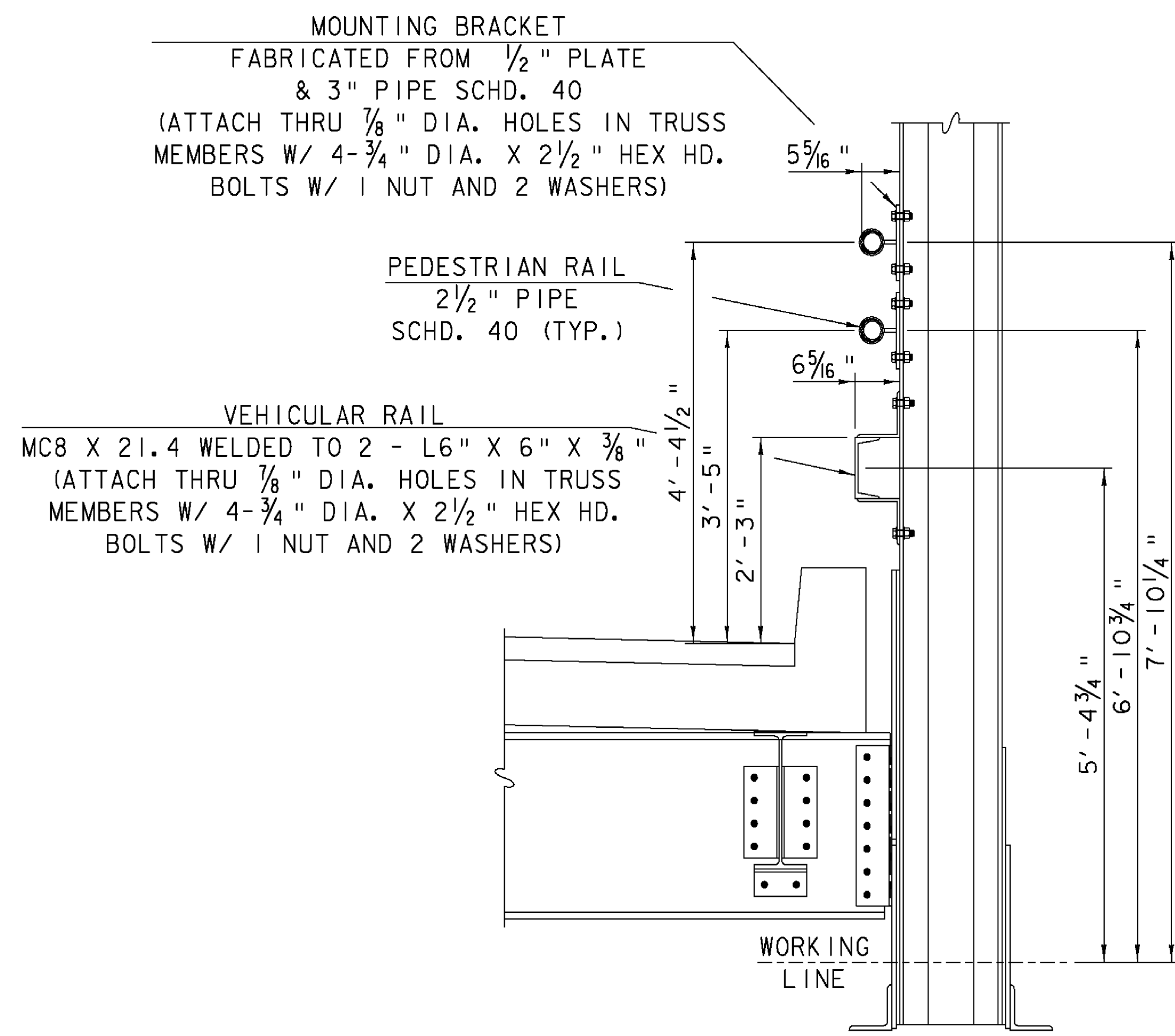
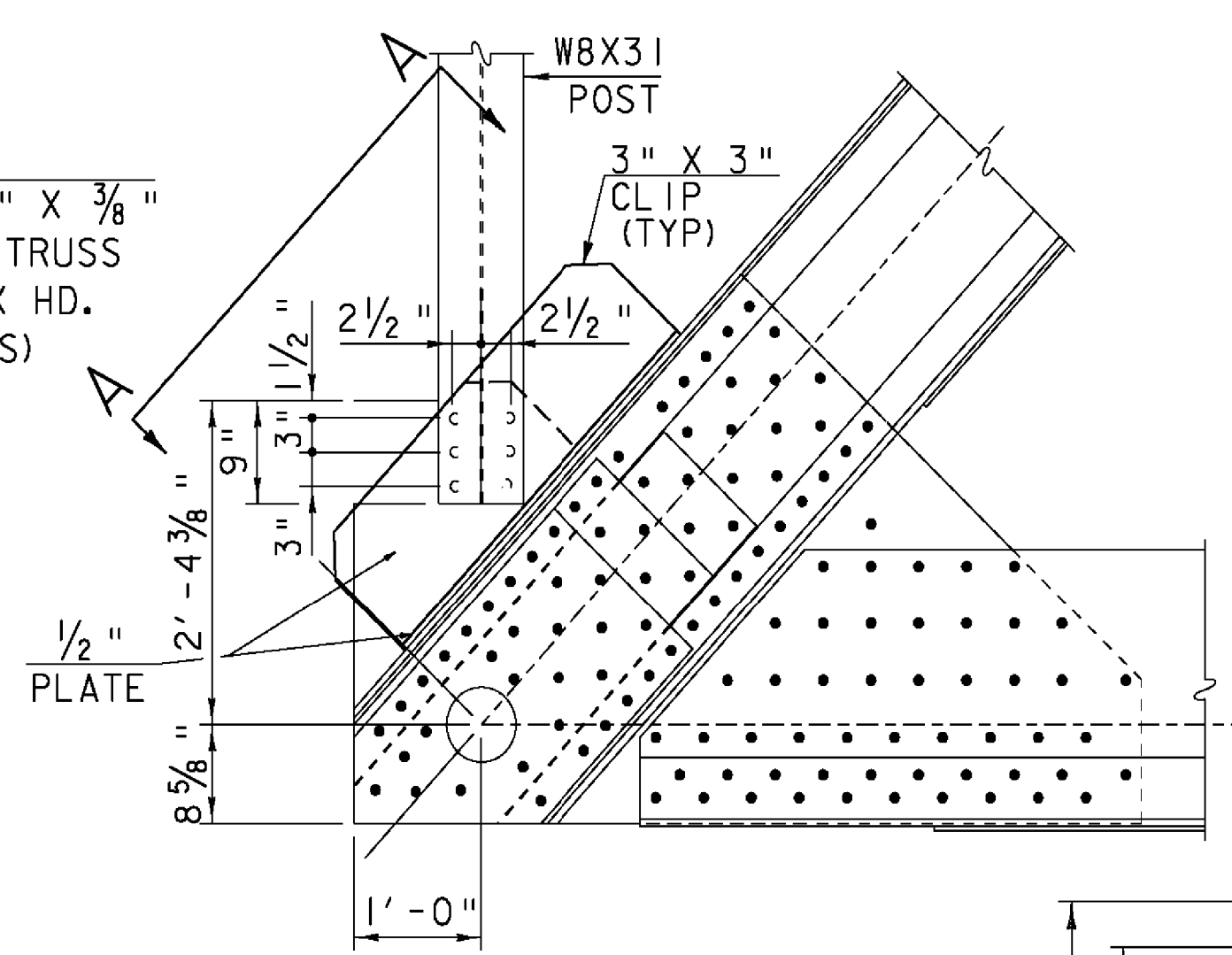


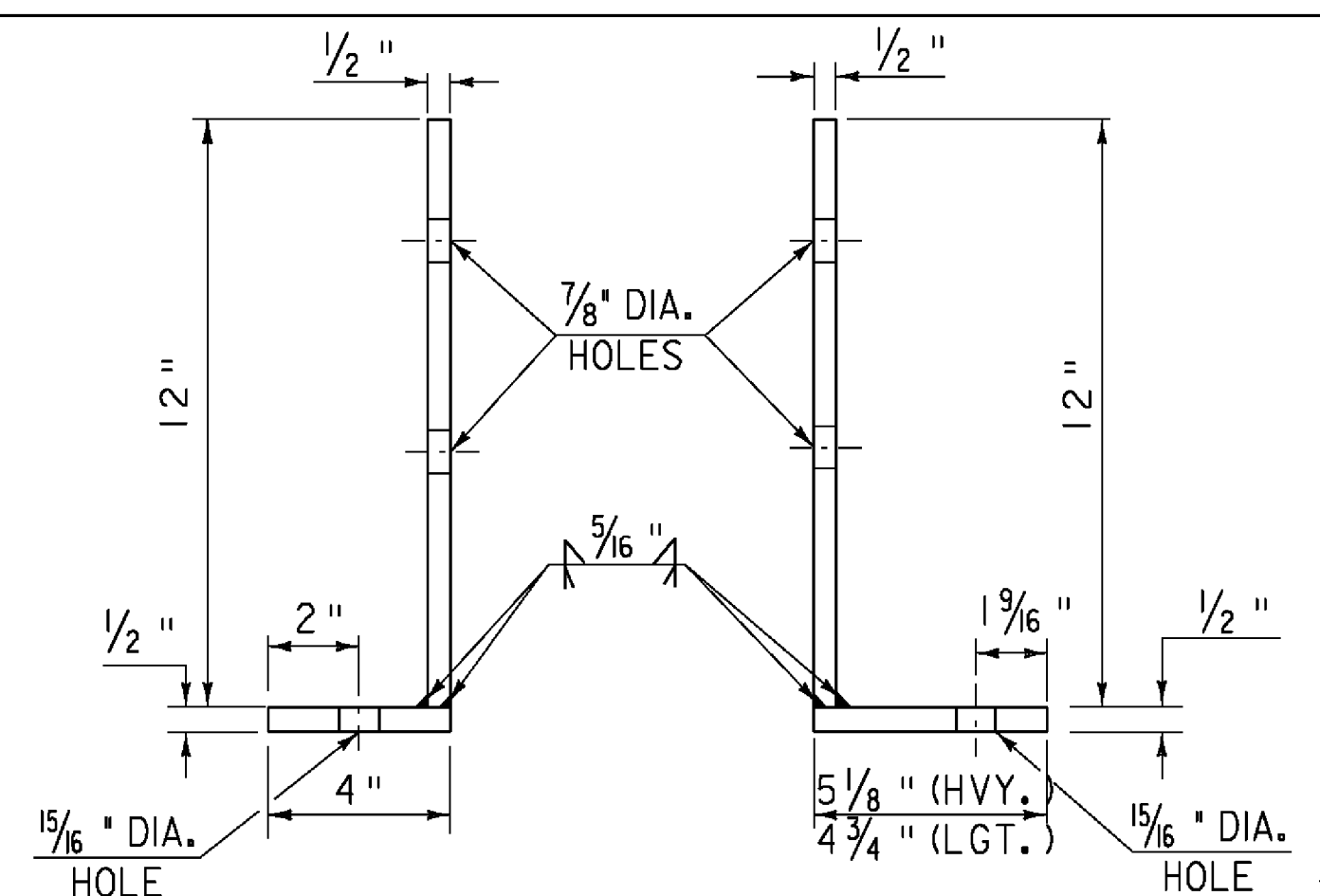
LIGHT TRUSS RAILING DETAIL



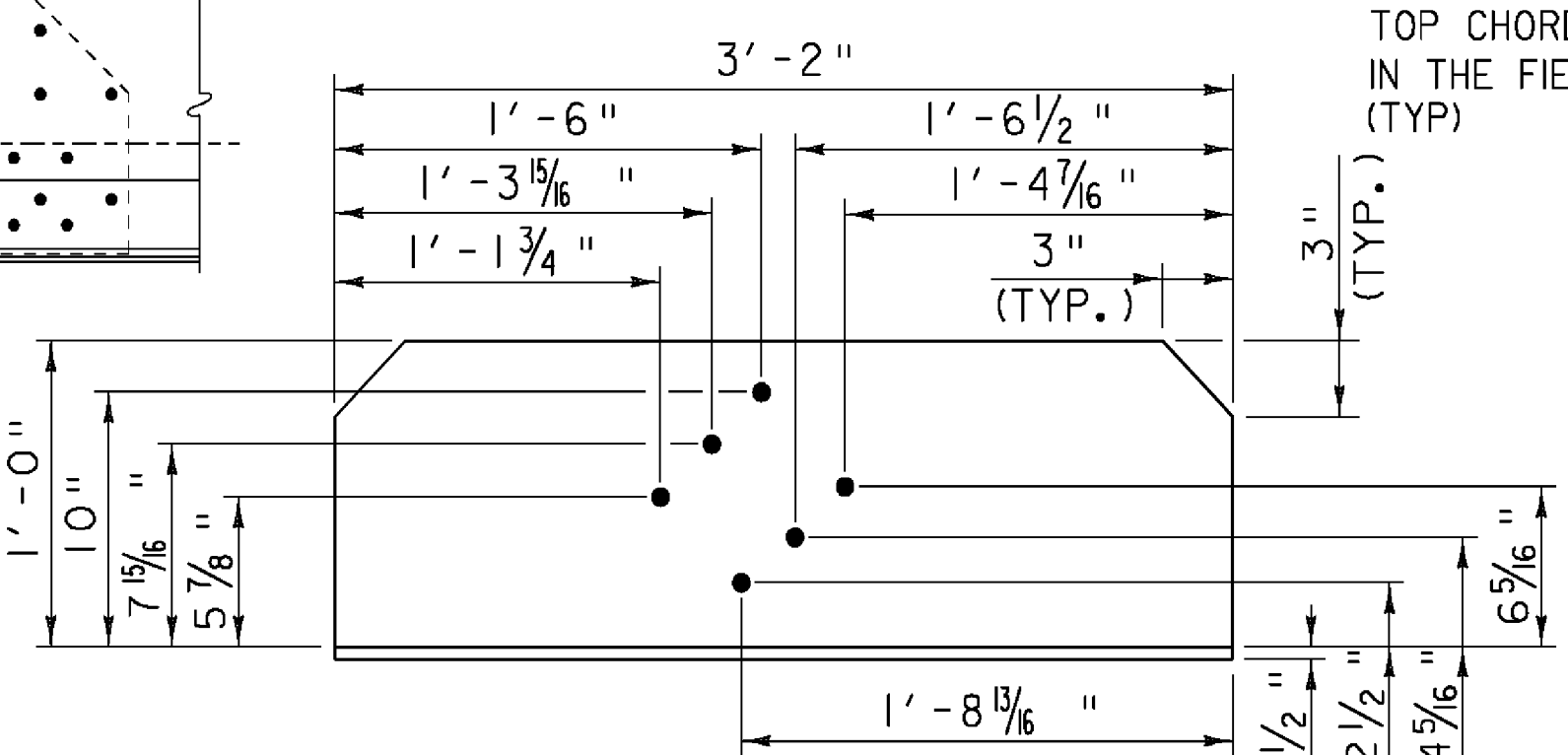
HEAVY TRUSS RAILING DETAIL



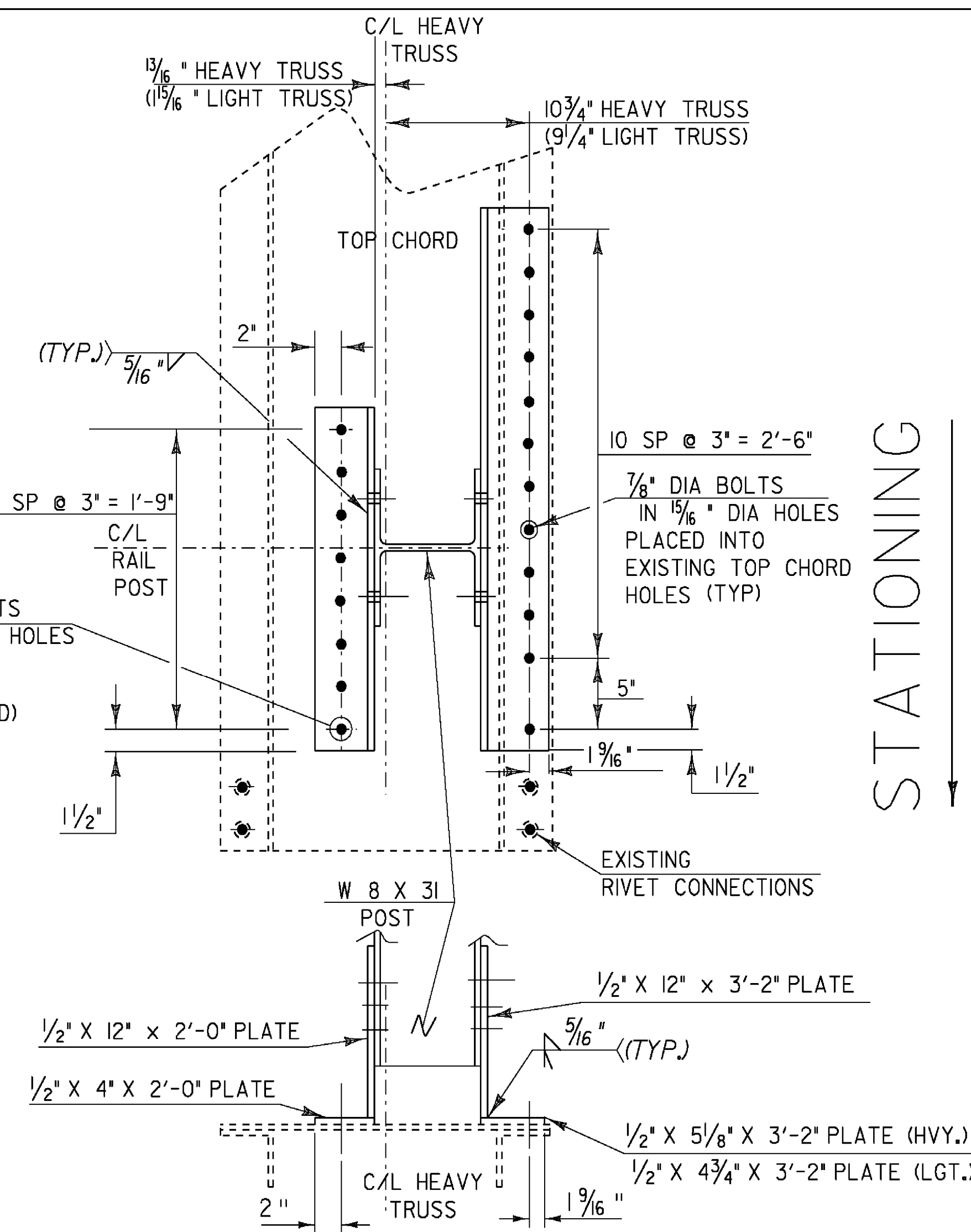
VIEW B-B



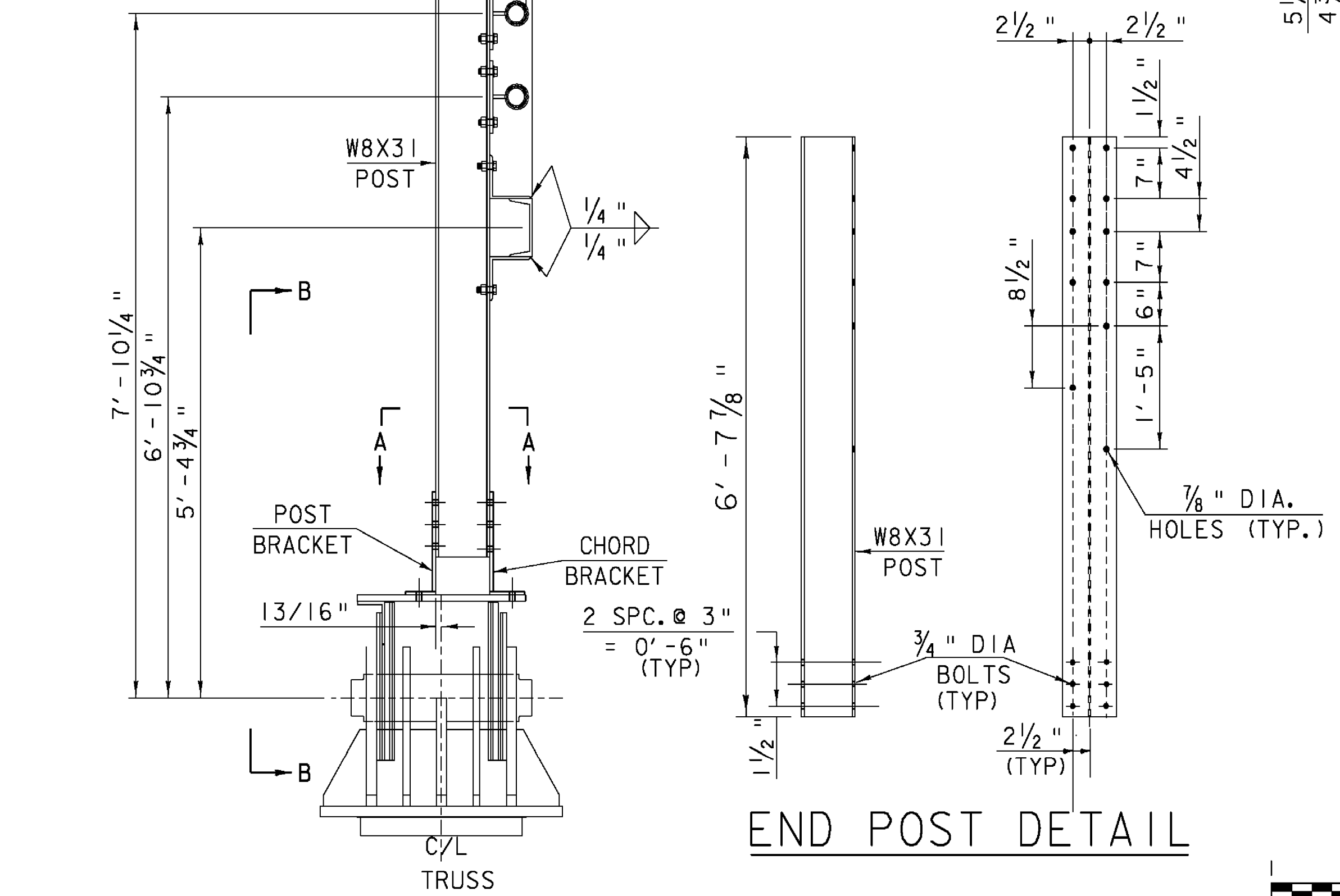
POST BRACKET/ CHORD BRACKET



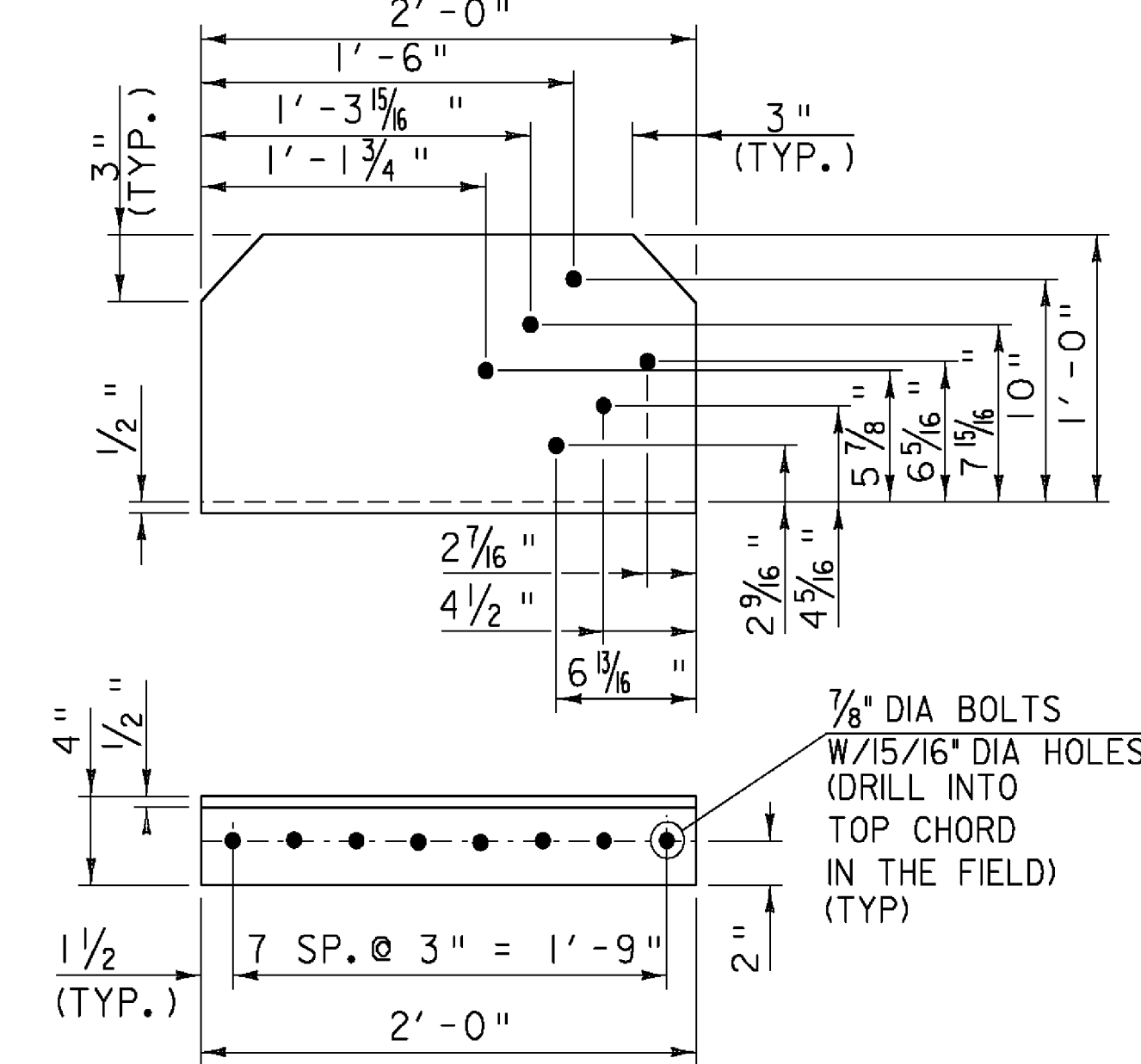
CHORD BRACKET



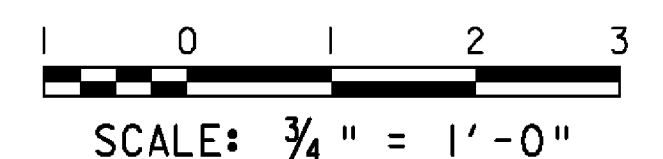
(LIGHT TRUSS MIRROR IMAGE NOTE DIMENSIONS FOR LIGHT TRUSS)



END POST DETAIL



POST BRACKET



UNLESS NOTED OTHERWISE, ALL HOLES 15/16" DIA.

REVISION SHEET 10-27-08

PROJECT NAME: SPRINGFIELD	PLOT DATE: 30-OCT-2008
PROJECT NUMBER: BHO 1442(30)	DRAWN BY: STR3
FILE NAME: 96J348/str/s96J348rail.dgn	CHECKED BY: C. CARLSON
PROJECT LEADER: R. WHITCOMB	SHEET 37C OF 85
DESIGNED BY: C. CARLSON	