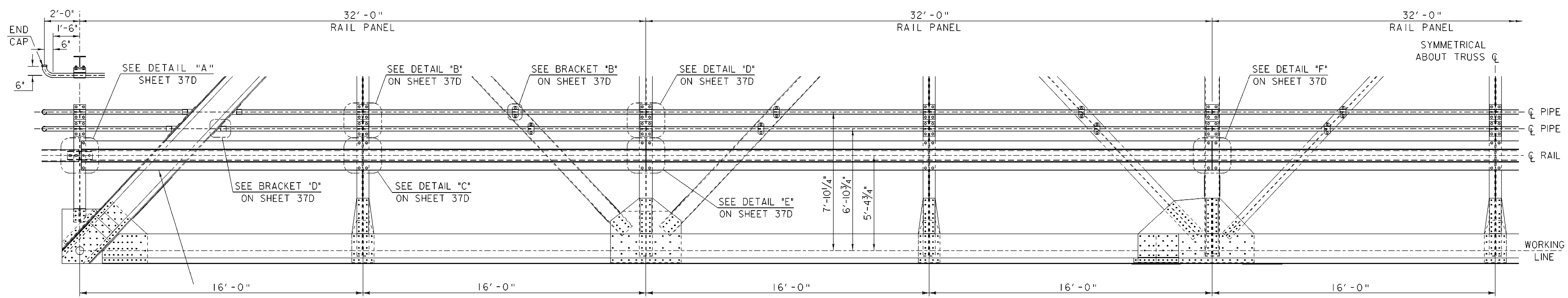


HEAVY TRUSS RAIL ELEVATION

1 0 1 2 3 4 5
 SCALE: 3/8" = 1'-0"



LIGHT TRUSS RAIL ELEVATION

1 0 1 2 3 4 5
 SCALE: 3/8" = 1'-0"

TRUSS RAILING ELEVATION

PROJECT NAME: SPRINGFIELD	PLOT DATE: 27-DEC-2007
PROJECT NUMBER: BHO 1442(30)	DRAWN BY: L. BULLOCK
FILE NAME: 96J348/str/s96j348rall.dgn	CHECKED BY: C. CARLSON
PROJECT LEADER: R. WHITCOMB	SHEET 37B OF 85
DESIGNED BY: C. CARLSON	