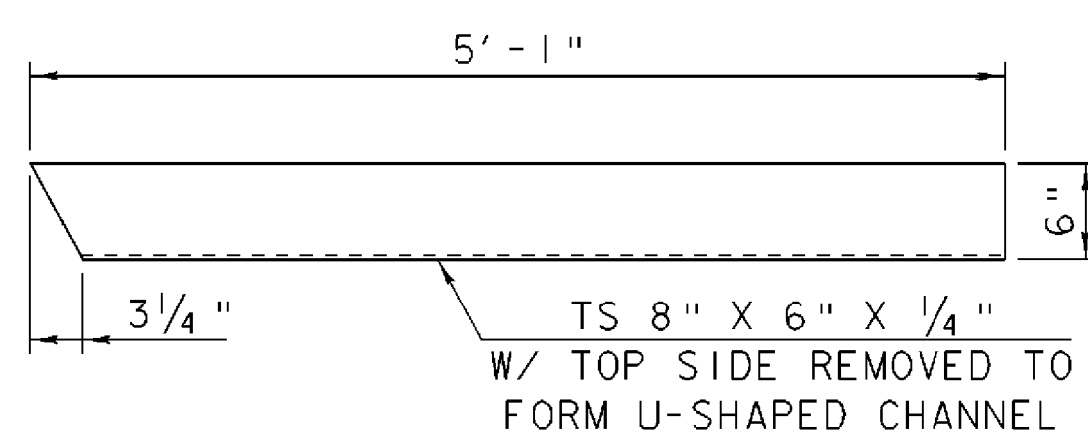
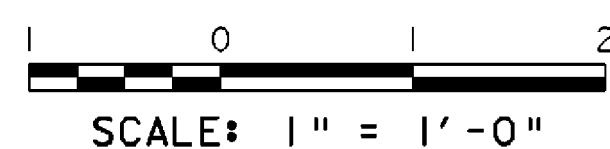
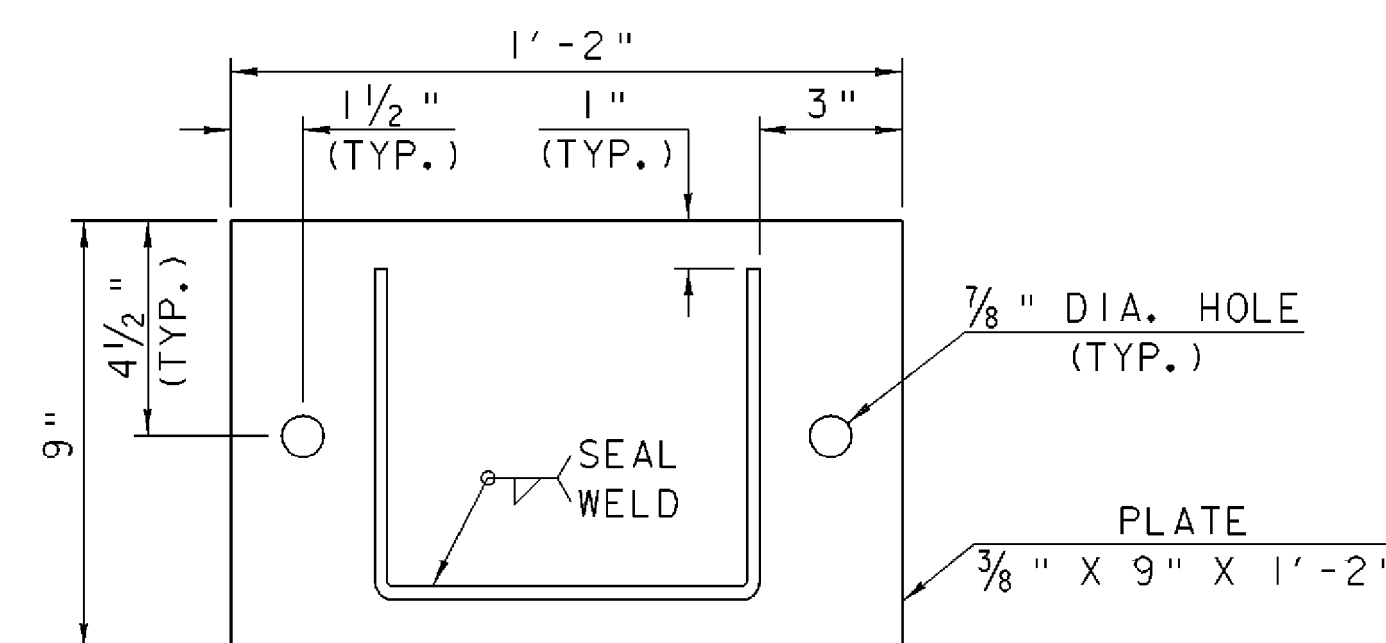
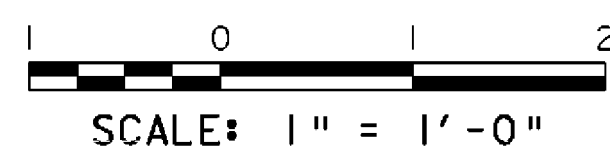


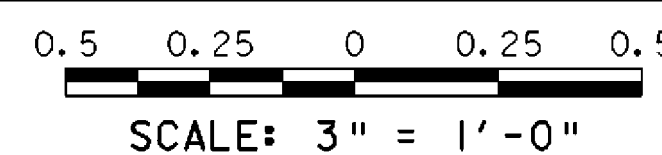
DOWNSPOUT ELEVATION



DOWNSPOUT DETAIL



MOUNTING PLATE DETAIL



### DOWNSPOUT NOTES

1. HOLLOW STRUCTURAL STEEL TUBING SHALL CONFORM TO SUBSECTION 714.11.
2. ALL PLATES, BARS, AND ANGLES SHALL CONFORM TO SUBSECTION 714.02.
3. DOWNSPOUT SHALL BE GALVANIZED IN ACCORDANCE WITH SUBSECTION 506.15 (a) AFTER FABRICATION.
4. ALL BOLTS AND RELATED HARDWARE SHALL CONFORM TO SUBSECTION 714.04 AND SHALL BE GALVANIZED IN ACCORDANCE WITH SUBSECTION 516.02.
5. AREAS WHERE THE GALVANIZING HAS BEEN REMOVED FROM THE DOWNSPOUT EITHER BY CUTTING, BURNING, WELDING, PLACING, OR ANY OTHER MEANS SHALL BE REPAIRED IN CONFORMANCE WITH SUBSECTION 513.06 (f).
6. THE DOWNSPOUT, MOUNTING PLATE AND ALL ANCHOR BOLTS WITH RELATED HARDWARE SHALL BE PAID FOR UNDER ITEM 506.60, "STRUCTURAL STEEL".

### DOWNSPOUT DETAILS

PROJECT NAME:	SPRINGFIELD	PLOT DATE:	27-DEC-2007
PROJECT NUMBER:	BHO 1442(30)	DRAWN BY:	G. ROY
FILE NAME:	96j348/str/s96j348sup.dgn	CHECKED BY:	C. CARLSON
PROJECT MANAGER:	R. R. WHITCOMB	SHEET	35 OF 85
DESIGNED BY:	J. PERRIGO		
	s96j348dsd.i		