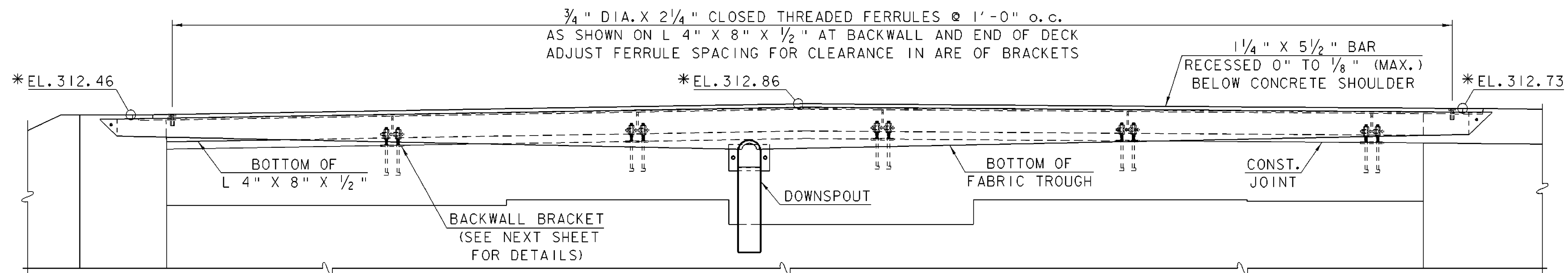
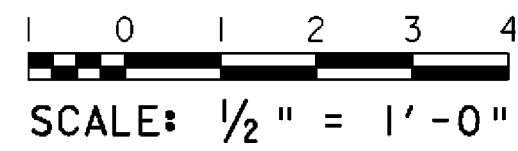
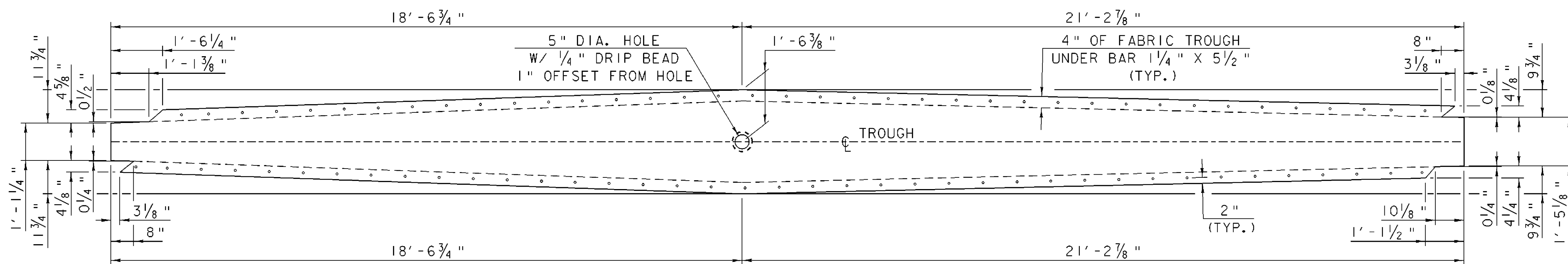
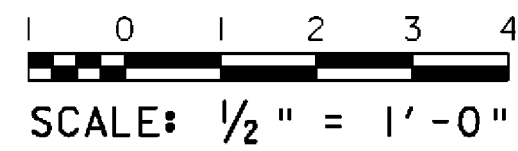


EXPANSION JOINT PLAN AT ABUTMENT NO. 1

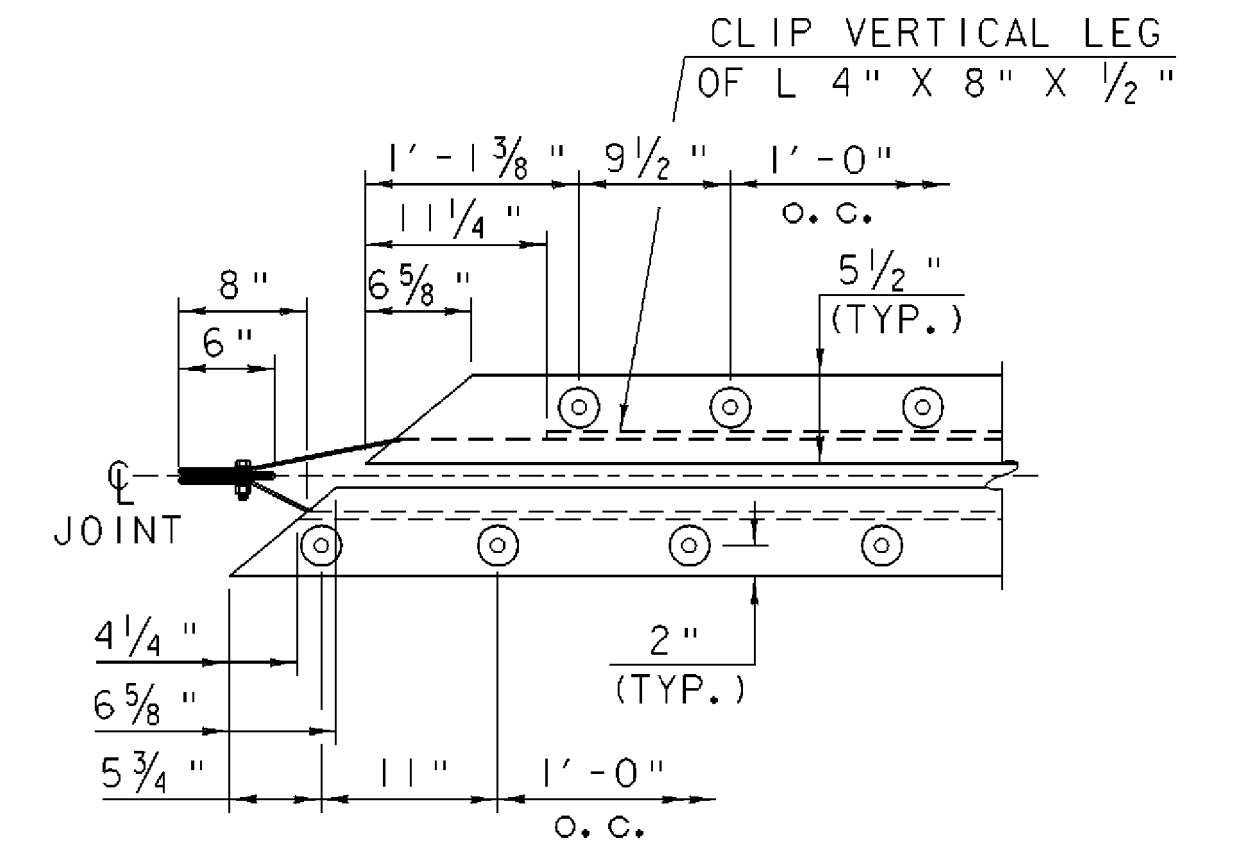
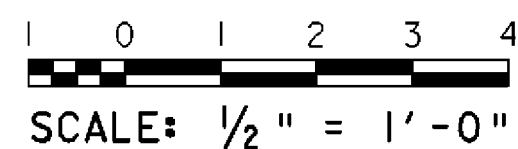


SECTION "A-A"

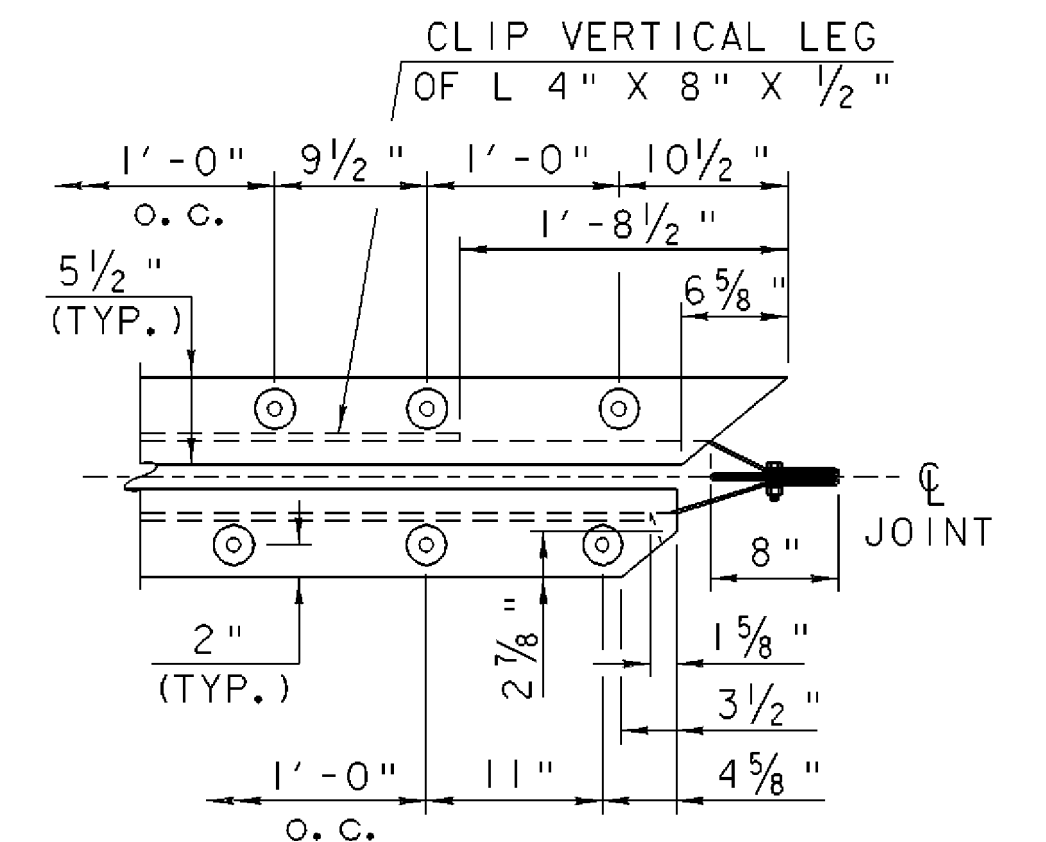
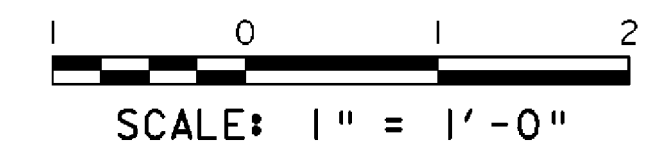
\* ELEVATIONS SHOWN ARE AT CENTERLINE EXPANSION JOINT



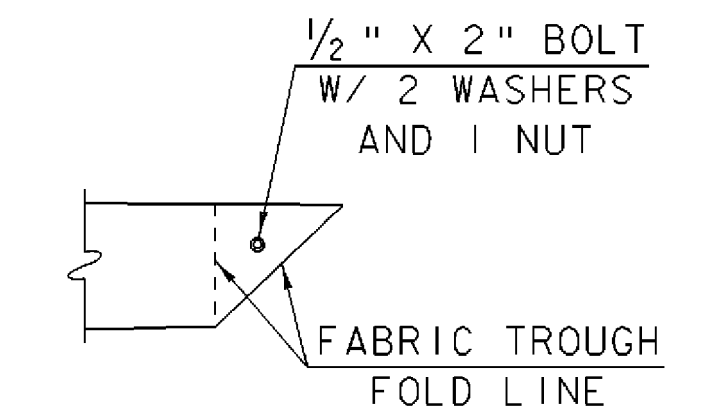
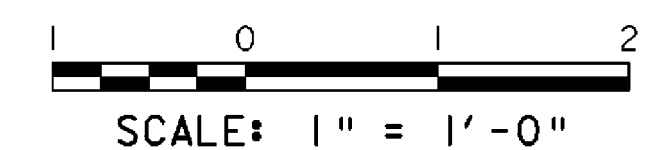
FABRIC TROUGH PLAN



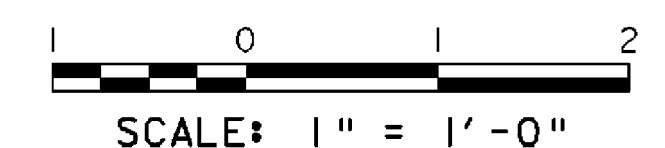
EXPANSION JOINT DETAIL "A"



EXPANSION JOINT DETAIL "B"



FABRIC TROUGH FOLD DETAIL



EXPANSION JOINT PLAN AND ELEVATION

PROJECT NAME: SPRINGFIELD	PLOT DATE: 27-DEC-2007
PROJECT NUMBER: BHO 1442(30)	DRAWN BY: D. PETERSON
FILE NAME: 96j348/str/s96j348sup.dgn	CHECKED BY: C. CARLSON
PROJECT MANAGER: R. R. WHITCOMB	SHEET 33 OF 85
DESIGNED BY: J. PERRIGO	