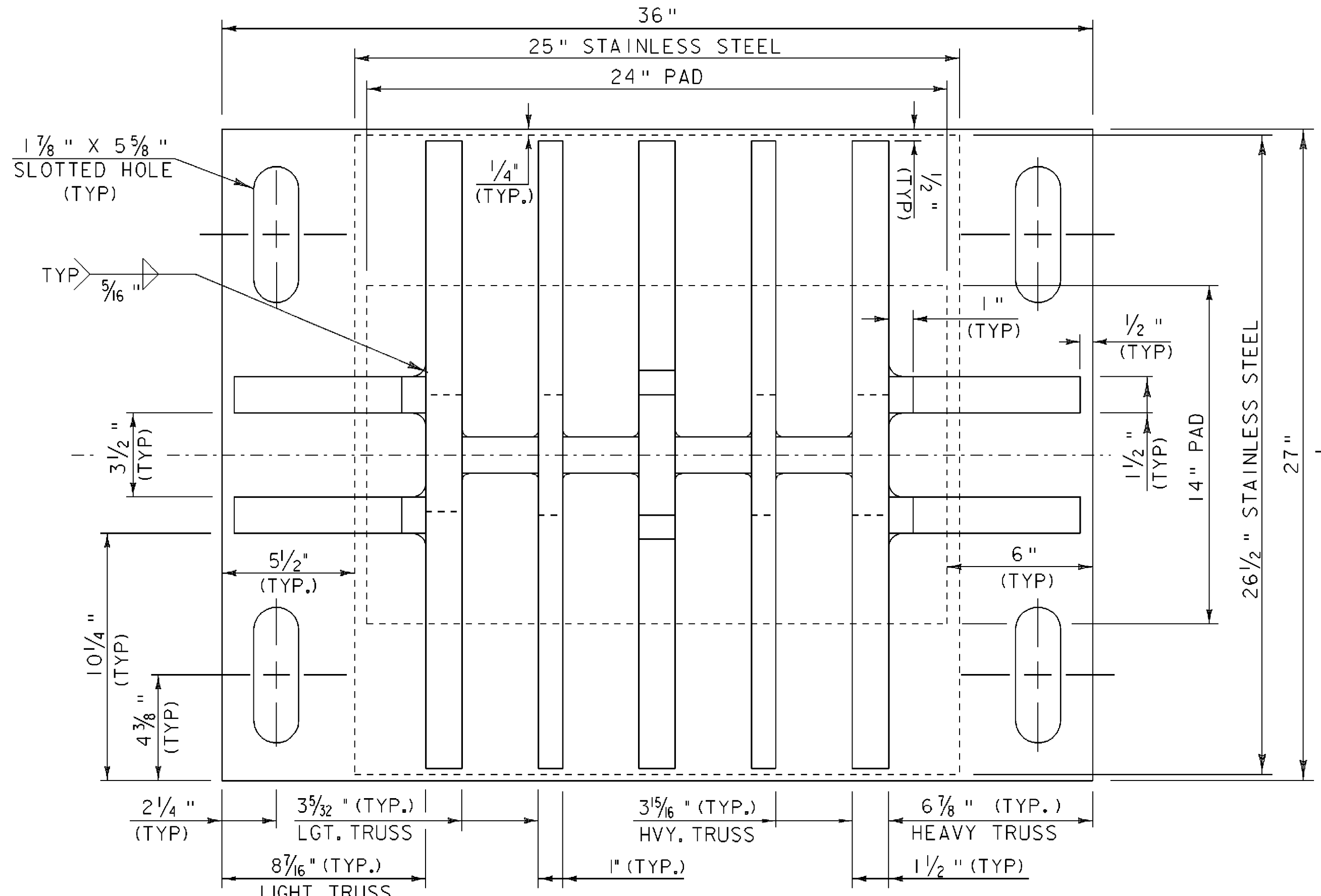


*STIFFENERS REDUCED TO ALLOW CLEARANCE FOR BOTTOM CHORD GUSSETS.

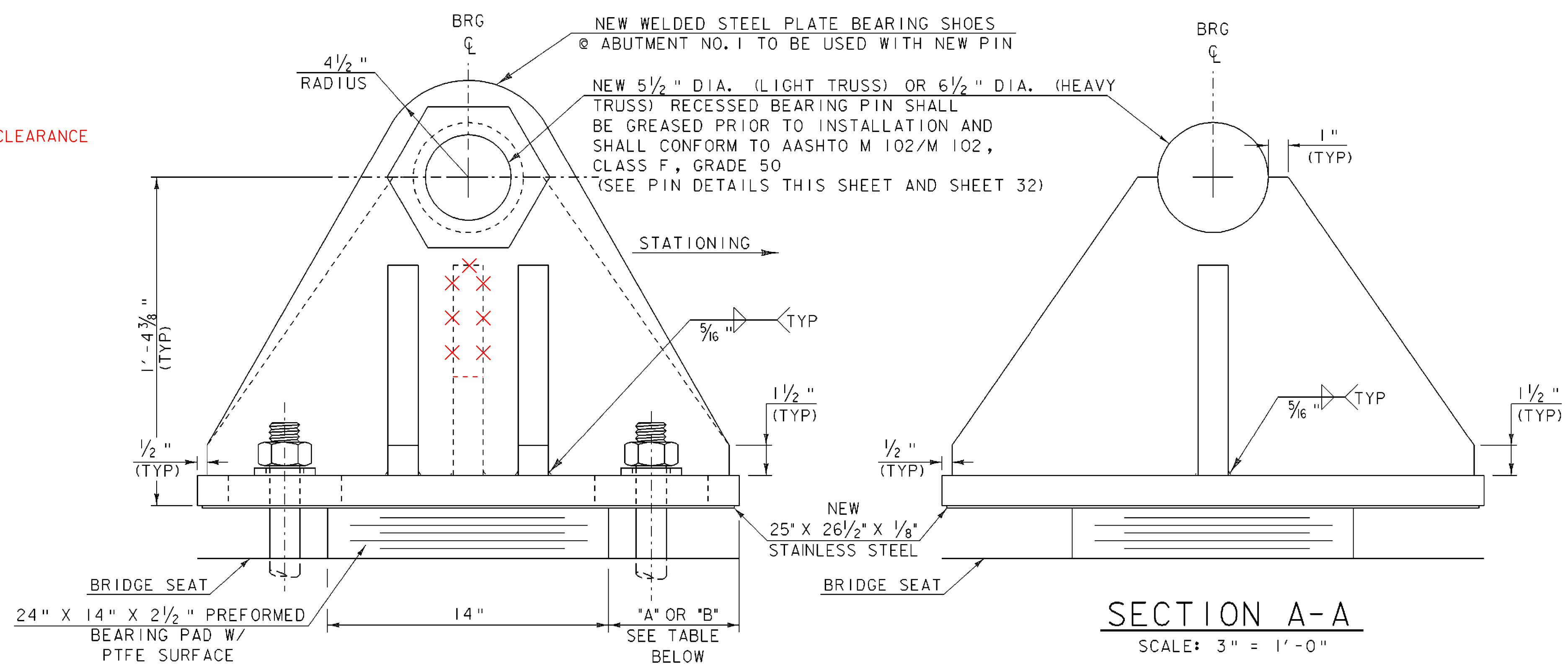
FRONT ELEVATION EXPANSION BEARING

SCALE: 3" = 1'-0"



PLAN VIEW OF NEW BEARING SHOE

SCALE: 3" = 1'-0"



SIDE ELEVATION EXPANSION BEARING

SCALE: 3" = 1'-0"

TRUSS BEARING NOTES

- 1) BEARINGS SHALL CONFORM TO VAOT STANDARD SPECIFICATIONS FOR CONSTRUCTION SECTIONS 531 AND 731.
- 2) ALL COMPONENTS OF BEARINGS, EXCEPT PINS AND STAINLESS STEEL, SHALL BE AASHTO M 270M/M 270, GRADE 50 STEEL.
- 3) ALL COMPONENTS OF BEARING DEVICES, EXCEPT PINS, PREFORMED PAD AND STAINLESS STEEL, SHALL BE METALIZED IN CONFORMANCE WITH VAOT STANDARD SPECIFICATIONS FOR CONSTRUCTION SUBSECTIONS 531.04 (b) AND 506.15. AREAS OF METALIZING DAMAGED BY FIELD WELDING OR HANDLING SHALL BE REPAIRED IN CONFORMANCE WITH SUBSECTION 513.06 (f).
- 4) ALL ANCHOR BOLTS, NUTS, AND WASHERS SHALL BE GALVANIZED. ALL WASHERS SHALL BE 3/8" PLATE. PAYMENT FOR ANCHOR BOLTS, NUTS, AND WASHERS SHALL BE INCLUDED IN THE UNIT BID PRICE FOR ITEM 531.13 "BEARING DEVICE ASSEMBLY, STEEL".
- 5) "B" DISTANCE IS THE FINAL SETTING FOR THE BEARING PAD AFTER THE CONCRETE SLAB, CURB, AND PAVEMENT ARE PLACED. "A" DISTANCE IS LISTED FOR SETTING THE BEARING BEFORE THE CONCRETE DECK AND CURBS HAVE BEEN PLACED. THE FINAL DISTANCE, AS SHOWN IN THE TABLE, MUST BE ATTAINED WITHIN 1/16 OF AN INCH.
- 6) ANCHOR BOLTS SHALL HAVE A MINIMUM OF 18" EMBEDMENT INTO THE EXISTING CONCRETE AND SHALL CONFORM TO SUBSECTION 714.08. THE ANCHOR BOLTS SHALL BE DRILLED AND GROUTED INTO THE ABUTMENT BRIDGE SEATS. THE DRILLING AND GROUTING OF THE ANCHOR BOLTS WILL BE INCIDENTAL TO THE ITEM 531.13 "BEARING DEVICE ASSEMBLY, STEEL".

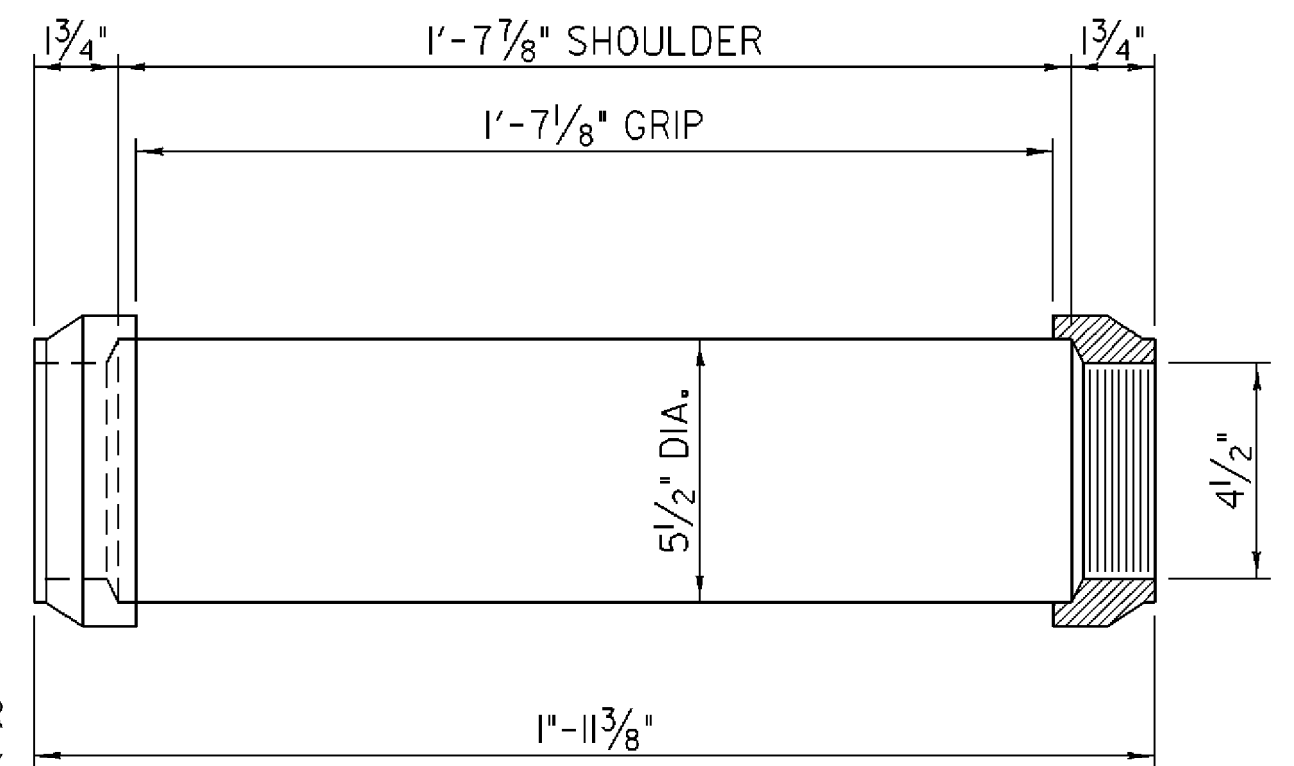
BEARING NOTES CONTINUED ON SHEET 32

EXPANSION BEARING

TEMP	"A" DIST	"B" DIST
0°F	7 5/8"	7 1/4"
15°F	7 7/16"	7 1/16"
30°F	7 1/4"	6 7/8"
45°F	7 1/16"	6 1/16"
60°F	6 7/8"	6 1/2"
75°F	6 1/16"	6 5/16"
90°F	6 1/2"	6 1/8"
105°F	6 5/16"	5 5/8"

SECTION A-A

SCALE: 3" = 1'-0"



PIN DETAIL LIGHT TRUSS

SCALE: 3" = 1'-0"

TRUSS EXPANSION BEARING DETAILS

PROJECT NAME:	SPRINGFIELD	PLOT DATE:	27-DEC-2007
PROJECT NUMBER:	BHO 1442(30)	DRAWN BY:	D. PETERSON
FILE NAME:	96J348\str\s96J348brg.dgn	DESIGNED BY:	C. CARLSON
		CHECKED BY:	C. CARLSON
		SHEET	31 OF 85