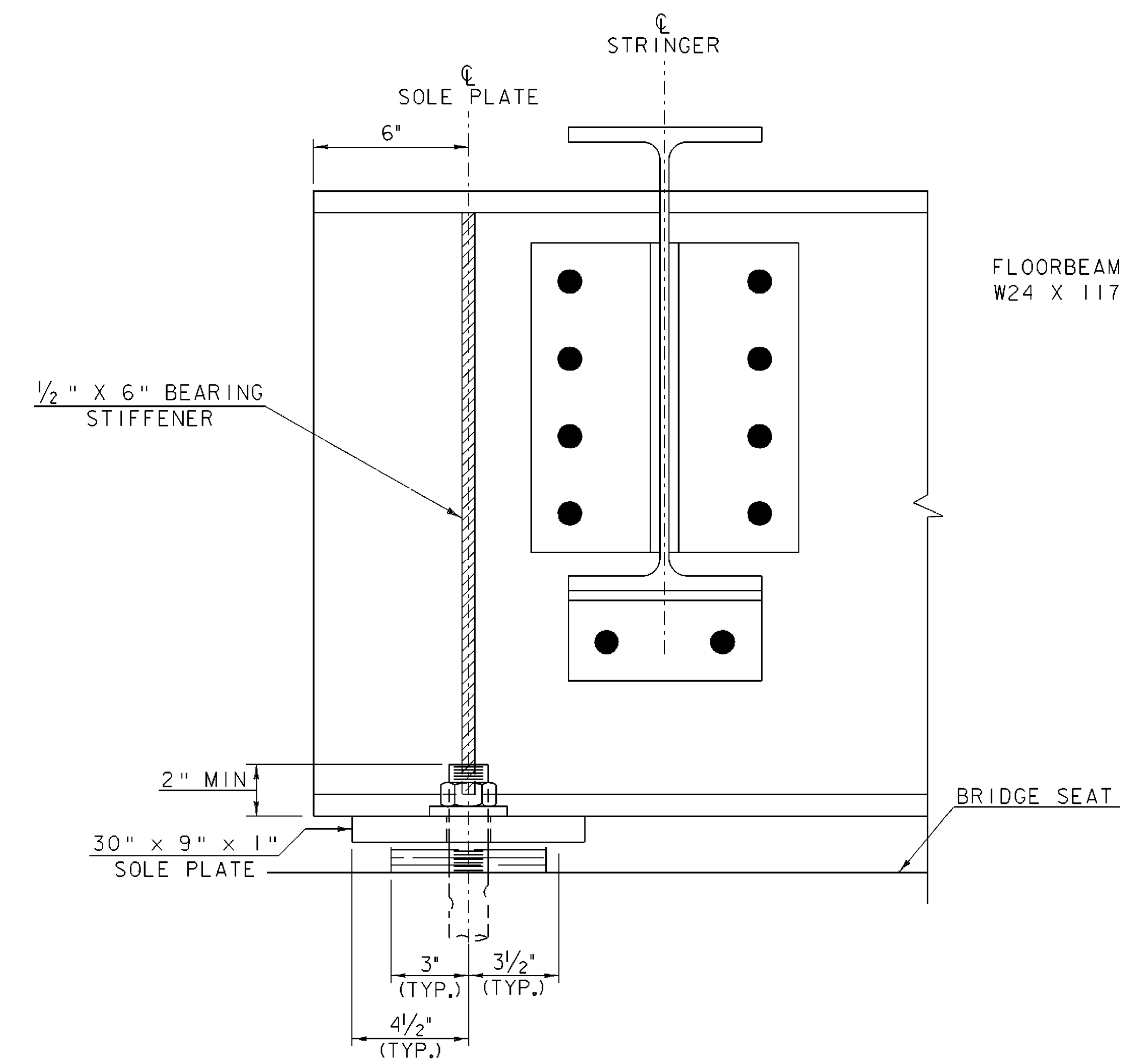
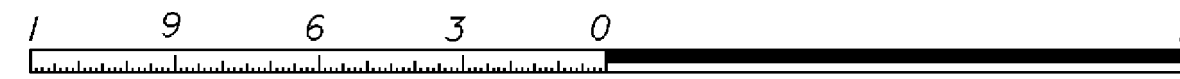


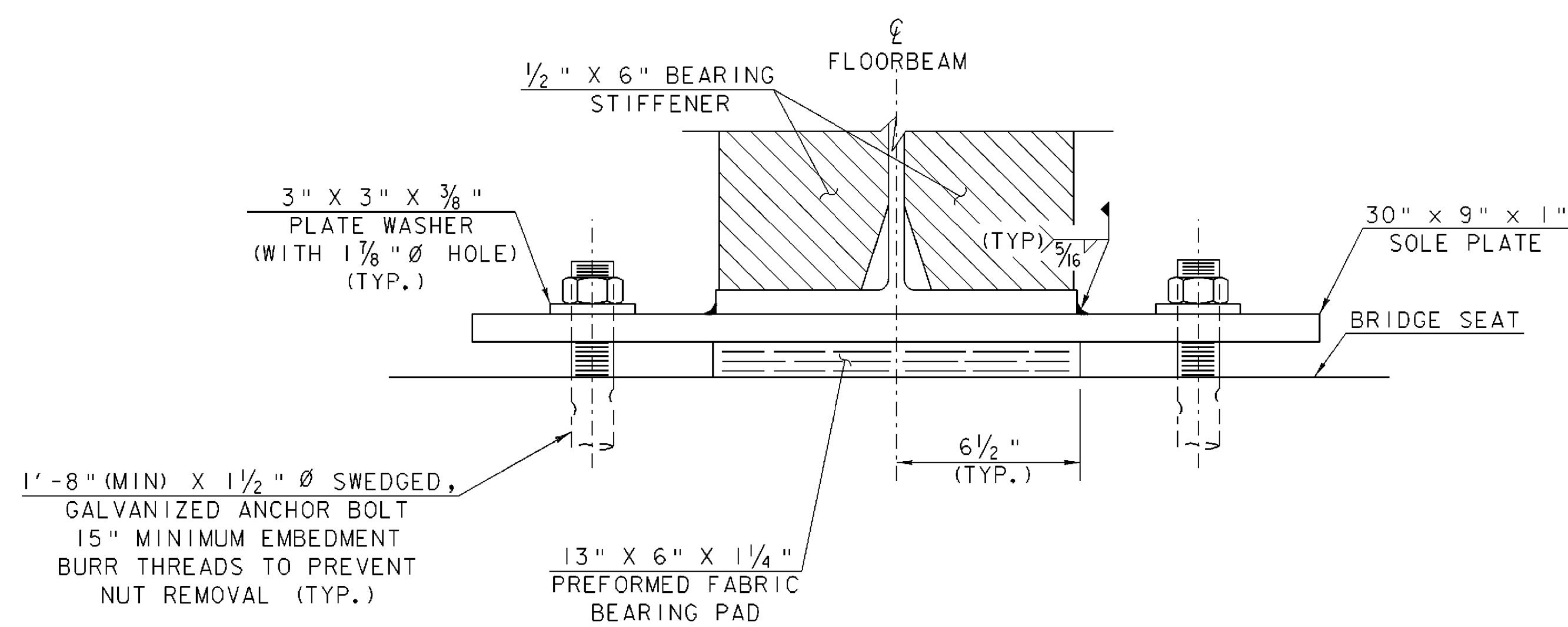
PLAN VIEW

SCALE 3" = 1'-0"



FRONT VIEW

SCALE 3" = 1'-0"



SIDE VIEW

SCALE 3" = 1'-0"



## FLOORBEAM FIXED BEARING DETAILS

PROJECT NAME: SPRINGFIELD  
PROJECT NUMBER: BHO 1442(30)

FILE NAME: 96j348\str\s96j348brg.dgn PLOT DATE: 27-DEC-2007  
PROJECT MANAGER: R. R. WHITCOMB DRAWN BY: L. BULLOCK  
DESIGNED BY: C. CARLSON CHECKED BY: C. CARLSON  
SHEET 30 OF 85